

Use & Care Guide
Manual de Uso y Cuidado
Manuel d'entretien et d'utilisation

Kenmore®/MD

Portable Carpet Spot and Pet
Stain Cleaner

Limpiadora de Alfombras
Portátil Para Salpicaduras y
Manchas de Mascotas

Nettoyeur de Tapis Portatif
Pour Taches et Souillures
d'animaux Familiars

Model/Modelo/Modèle: KW1046

Vacuum Cleaner Help Line
Aspiradoras Línea de Ayuda
Assistance téléphonique pour les aspirateurs:
1-877-531-7321 (US) / 1-844-608-3081 (CA)

8:00am-5:00pm EST, M-F
De 8 AM a 5 PM, de lunes a Viernes
De 8 h à 17 h HE lun à ven

www.kenmorefloorcare.com



TABLE OF CONTENTS

Before Using Your New Spot Cleaner	2
Packing List.....	2
Important Safety Instructions	3-4
Double Insulation Instructions	5
Spot Cleaner Warranty.....	6
Parts and Features.....	7
Assembly Instructions.....	8-9
Operating Instructions.....	10-15
Maintenance and Care.....	16-18
Troubleshooting.....	19-20
Requesting Assistance or Service.....	Back Cover

BEFORE USING YOUR NEW SPOT CLEANER

Read this Use & Care Guide. It will help you assemble and operate your new Kenmore spot cleaner in the safest and most effective way.

For more information about spot cleaner care and operation, call the Vacuum Cleaner Help Line at 1-877-531-7321 (US) / 1-844-608-3081 (CA). You will need the complete model and serial numbers when requesting information.

Your spot cleaner's model and serial numbers are located on the Model and Serial Number Plate. Use the space below to record the model number and serial number of your new Kenmore spot cleaner.

Model No. _____

Serial No. _____

Date of Purchase _____

Keep this book and your sales check (receipt) in a safe place for future reference.

PACKING LIST

Your KENMORE SPOT CLEANER is packaged with the following parts and components included separately in the carton:

- | | |
|---------------------------------|----------------------|
| 1 Spot Vacuum Cleaner | 1 Hose Storage Clip |
| 1 8 oz. Carpet Cleaning Formula | 1 Hose Cleaning Tool |
| 1 Reversible Tough Stain Nozzle | 1 Use & Care Guide |
| 1 Tool Storage Clip | |

IMPORTANT SAFETY INSTRUCTIONS

Read all instructions in this guide before assembling or using your spot cleaner.



WARNING!

Your safety is important to us. To reduce the risk of fire, electrical shock, injury to persons or damage when using your spot cleaner, follow basic safety precautions including the following:

- Use your spot cleaner only as described in this Use & Care Guide. Use only manufacturer's recommended attachments.
- Fully assemble before operating.
- Operate cleaner only at voltage specified on rating plate.
- Do not leave spot cleaner when plugged in. Unplug from outlet when not in use and before performing maintenance.
- Do not expose to rain. Store indoors.
- Do not immerse. Use only on carpet moistened by cleaning process.
- Do not allow to be used as a toy. Close attention is necessary when used by or near children.
- Do not use with a damaged cord or plug. If spot cleaner is not working as it should, has been dropped, damaged, left outdoors, or dropped in water, immediately discontinue use and call 1-877-531-7321 (US) / 1-844-608-3081 (CA) for assistance.
- Do not pull or carry by cord, use cord as a handle, close a door on cord, or pull cord around sharp edges or corners. Do not run spot cleaner over cord. Keep cord away from heated surfaces.
- Do not unplug by pulling on cord. To unplug, grasp the plug, not the cord.
- Do not handle plug or spot cleaner with wet hands.
- Do not put any objects into openings.
- Do not use with any opening blocked; keep free of dust, lint, hair, and anything that may reduce air flow.
- Keep hair, loose clothing, fingers, and all parts of body away from openings and moving parts.
- Turn off all controls before unplugging.
- Use extra care when cleaning stairs. To avoid personal injury or damage, and to prevent the spot cleaner from falling, always place spot cleaner at bottom of stairs or on floor. Do not place spot cleaner on stairs or furniture, as it may result in injury or damage.
- Do not put spot cleaner on chairs, tables, etc. Keep unit on the floor.

IMPORTANT SAFETY INSTRUCTIONS

- Do not use spot cleaner to pick up flammable or combustible liquids (gasoline, cleaning fluid, perfumes, etc.), or use in areas where they may be present. The fumes from these substances can create a fire hazard or explosion.
- To reduce the risk of health hazards from vapors or dusts, do not vacuum toxic materials.
- Do not use or store near hazardous materials.
- Do not pick up anything that is burning or smoking, such as cigarettes, matches, or hot ashes.
- Do not use spot cleaner without tanks in place.
- Do not clean over floor electrical outlets.
- Do not use the spot cleaner to pick up sharp hard objects, small toys, pins, paper clips, etc. They may damage the spot cleaner or tanks.
- Do not use sharp objects to clean out hose as they can cause damage.
- To help prevent matting and resoiling, avoid contact with carpets until they are dry. Keep children and pets away from carpets until they are completely dry.
- Do not store the spot cleaner with solution in tanks.
- Use only Kenmore cleaning formulas intended for use with this appliance to prevent internal component damage.
- This spot cleaner is provided with double insulation. Use only identical replacement parts. See DOUBLE INSULATION INSTRUCTIONS.
- You are responsible for making sure that your spot cleaner is not used by anyone unable to operate it properly.

CAUTION

To reduce the risk of injury from moving parts - Unplug before servicing.

WARNING

To reduce the risk of electric shock - Unplug before cleaning or servicing.

SAVE THESE INSTRUCTIONS

Proper assembly and safe use of your spot cleaner are your responsibilities. Your spot cleaner is intended for **Household use**. Read this Use & Care Guide carefully for important use and safety information. This guide contains safety statements under warning and caution symbols.

DOUBLE INSULATION INSTRUCTIONS

This spot cleaner is double insulated, eliminating the need for a separate grounding system. Use only identical replacements parts. Read the instructions for Servicing Double-Insulated Spot Cleaners before servicing. Use this spot cleaner as described in this manual.

Observe the following warnings that appear on the motor housing of your spot cleaner.



Double Insulated - Grounding not required - When servicing use only identical replacement parts.



WARNING

To reduce the risk of electric shock - Do not expose to rain. Store indoors.




WARNING

For your own safety, read and understand the Use & Care Guide. Do not run unattended. Do not pick up hot ashes, coals, toxic, flammable or other hazardous materials. Do not use around explosive liquids or vapors.



WARNING

Servicing of Double-Insulated Spot Cleaners

With a double-insulated spot cleaner, two systems of insulation are provided instead of grounding. No grounding means is provided on a double-insulated appliance, nor should a means for grounding be added. Servicing a double insulated spot cleaner requires extreme care and knowledge of the system and should be done only by qualified service personnel. Replacement parts for a double-insulated spot cleaner must be identical to the parts they replace. Your double-insulated spot cleaner is marked with the words 'Double Insulated' and the symbol  (square within a square) may also be marked on the appliance.

SPOT CLEANER WARRANTY

LIMITED WARRANTY

FOR ONE YEAR from the date of sale (or, for deliveries in the State of California, one year from the date of delivery) this product is warranted against defects in material or workmanship.

WITH PROOF OF SALE a defective product will be replaced free of charge.

The Kenmore brand is used under license. Direct all claims for warranty service to: 1-877-531-7321 (US) / 1-844-608-3081 (CA).

This warranty is void if this product is ever used for anything other than private household purposes. This warranty gives you specific legal rights, and you may also have other rights which vary from state to state.

Cleva North America, Inc., Greenville SC 29607

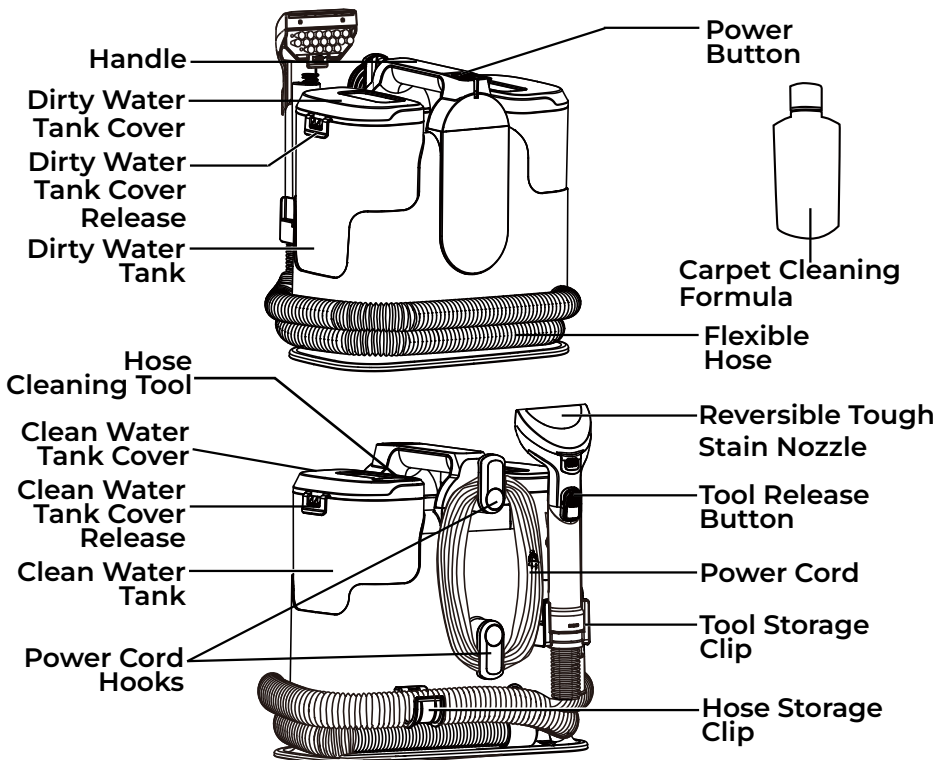
PARTS AND FEATURES

It is important to know your spot cleaner's parts and features to assure its proper and safe use. Review these before using your spot cleaner.

REPLACEMENT PARTS

Item	Part No.(US)	Part No.(CA)
Tool Storage Clip	671008101	671008101
Dirty Water Tank	671047101	671047101
Clean Water Tank	671047102	671047102
Reversible Tough Stain Nozzle	671047103	671047103
Hose Cleaning Tool	671011109	671011109
Hose Storage Clip	671008104	671008104

To order a replacement part, call 1-877-531-7321 (US) / 1-844-608-3081 (CA).



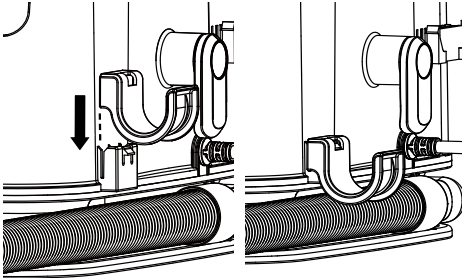


Please pay special attention to these hazard alert boxes, and follow any instructions given. **WARNING** statements alert you to such hazards as fire, electric shock, burns and personal injury. **CAUTION** statements alert you to such hazards as personal injury and/or property damage.

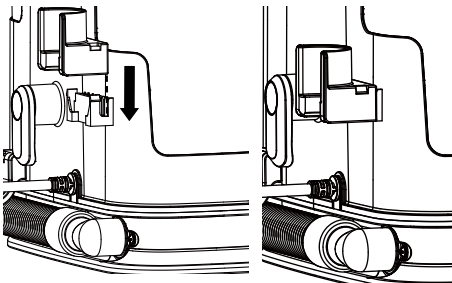
ASSEMBLY INSTRUCTIONS

Before assembling the spot cleaner, check the **PACKING LIST** (page 2). Use this list to verify that you have received all the components of your new Kenmore Spot Cleaner.

1. Align the hose storage clip with the slot as shown. Slide down the hose storage clip until it is secured into place.

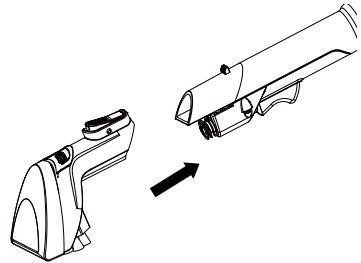


2. Align the tool storage clip with the slot as shown. Slide down the tool storage clip until it is secured into place.



3. Slide the tough stain nozzle onto the end of the suction hose until it clicks into place.

To remove: Press the tool release button and pull away the tough stain nozzle.



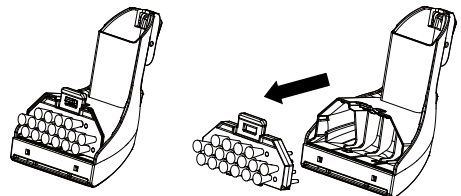
Reversible Tough Stain Nozzle

This tool is designed with two sides, a bristle brush and a rubber brush.

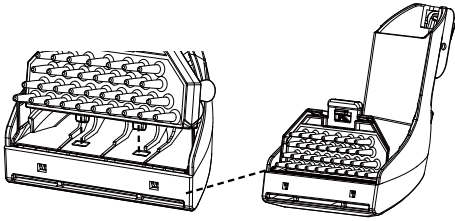
Use the bristle side to scrub and lift stains, dirt, or pet messes from carpets, upholstery, and fabric surfaces.

Use the rubber side to remove embedded pet hair and debris from upholstery, pet beds, and more.

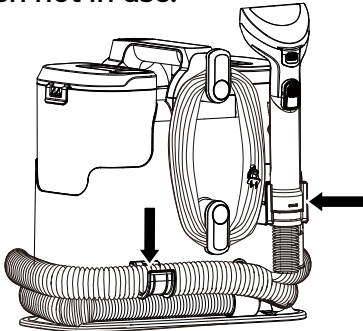
Flip the tool as needed to switch for more effective cleaning results. Insert the two tabs in the slots first and secure brush in place.



ASSEMBLY INSTRUCTIONS

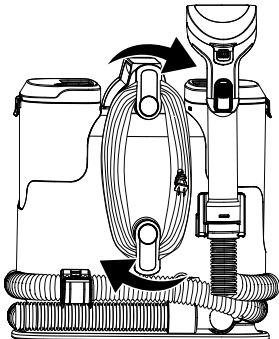


NOTE: Put the flexible hose onto the hose storage clip. Snap the end of the hose with the tool installed into the tool storage clip when not in use.

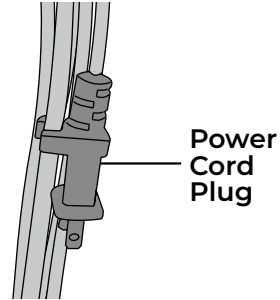


4. Make sure both power cord hooks are in the proper position as shown. Wrap the power cord loosely around the cord hooks.

NOTE: Make sure to wrap the power cord around the lower cord hook first, and then around the upper cord hook to avoid damaging the power cord.



5. Lock power cord plug onto the power cord.



WARNING

Electrical Shock and Personal Injury Hazard

Wrapping the cord too tightly with excessive stress on the cord may cause cord damage. A damaged cord is an electrical shock hazard and could cause personal injury or damage.

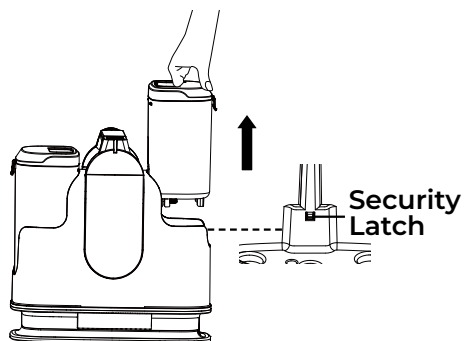
POLARIZED PLUG

To reduce the risk of electrical shock, this appliance has a polarized plug (one blade wider than the other). This plug will fit in a polarized outlet only one way. If the plug does not fit fully in the outlet, reverse the plug. If it still does not fit, contact a qualified electrician to install the proper outlet. Do not change the plug in any way. Double insulation eliminates the need for the three-wire grounded power cord and grounded power supply system.

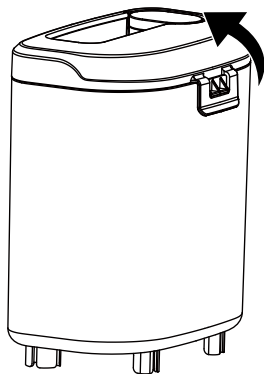
OPERATING INSTRUCTIONS

FILLING THE CLEAN WATER TANK

1. Lift up the clean water tank from the side of the unit. A security latch is positioned to keep the clean water tank in position to avoid unintentional release. The latch will automatically release when the tank is pulled upwards.



2. Remove the clean water tank cover by undoing the clean water tank cover release.



3. Fill the tank with clean water and cleaning formula. Ensure the correct proportion of water and cleaning solution is used by referring to the solution label.

SMALL CLEANING AREA -
0.8L/0.2G Liquid

LARGE CLEANING AREA -
1.6L/0.4G Liquid

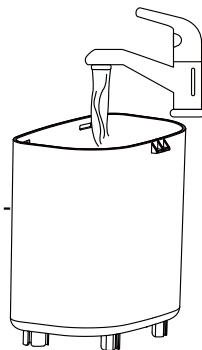
LARGE CLEANING AREA

(1.6L/0.4G Liquid Max Fill)

----- (1.2L/0.3G Liquid) -----

SMALL CLEANING AREA

(0.8L/0.2G Liquid)



Do not exceed filling the clean water tank over the maximum fill line indicated on the clean water tank.



CAUTION

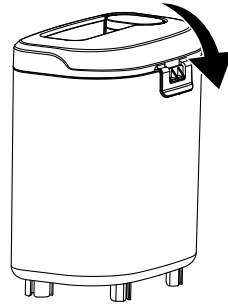
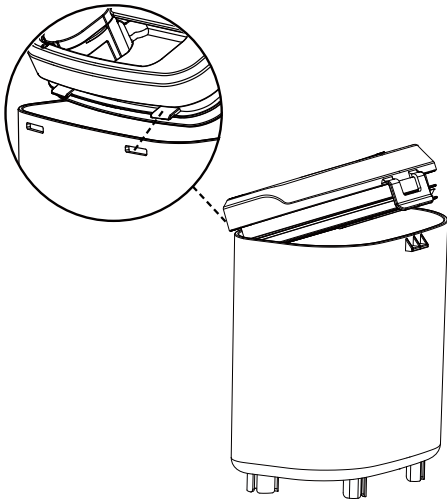
Do not fill with water above
104°F (40°C).

FILLING THE CLEAN WATER TANK

NOTE: An 8 oz. (236ml) bottle of cleaning formula is provided with this spot cleaner. Ensure the cleaning formula and water are mixed correctly. Water must be at room temperature. Once the initial sample is depleted, only use Kenmore cleaning solution KS1010 (available at kenmorefloorcare.com). Using other solutions may cause excessive foaming and will void your warranty.

NOTE: Using more than the recommended amount of cleaning formula may cause excessive foaming. **KEEP OUT OF REACH OF CHILDREN.** In case of eye contact, thoroughly flush with cold water. If irritation persists, consult a physician.

4. Insert the locking tabs into the slots of the clean water tank first and then secure the clean water tank cover back into place until a click is heard.



5. Slide the clean water tank back onto the unit. The security latch will automatically secure once the clean water tank is in position. A click will be heard when correctly installed.

USING THE SPOT CLEANER

NOTE: Before using the spot cleaner, thoroughly vacuum the area to be cleaned. Always test a small hidden area for colorfastness and pile distortion. Test Colorfastness - Gently rub surface with a dampened white cloth containing cleaning solution. Wait 10 minutes and check for color removal with a white paper towel. If color changes, do not use.

NOTE: To prevent staining, please use plastic, wax paper or aluminum foil to protect wood or metal surfaces from possible water spray.

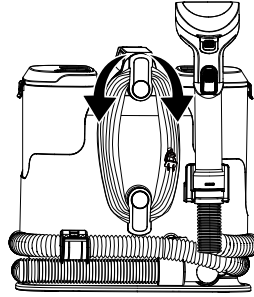
To protect the wooden floors underneath rugs, place protective material (e.g. plastic) underneath them before cleaning.

NOTE: Always refer to and follow the manufactures care guidelines before using cleaning solution and spot cleaner.

1. Unwrap the hose from the unit. Make sure the tough stain nozzle is attached securely.

NOTE: The tough stain nozzle can be used for cleaning carpet stains, furniture and other hard-to-reach surfaces.

2. Turn the power cord hooks inward from either side to release the power cord.



3. Detach the power cord plug from the power cord. Plug the power cord plug into an outlet located near the floor.

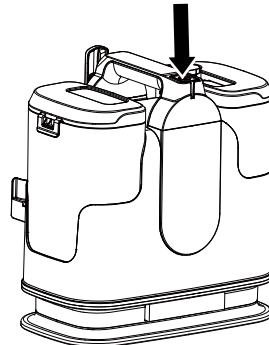


WARNING

Personal Injury and Product Damage Hazard

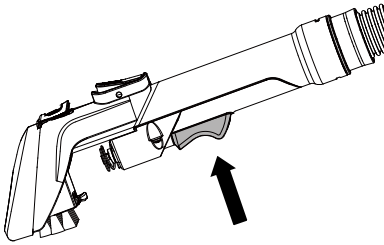
- When any abnormality/failure occurs, stop using the product immediately and disconnect the power plug.
- DO NOT clean over floor electrical outlets. Water will drip from the tool after use and may puddle.

4. Press the power button to turn the spot cleaner on.

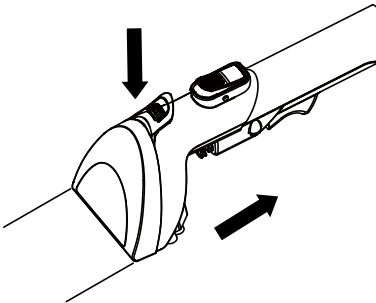


USING THE SPOT CLEANER

5. Hold the tool about 1 inch over the stain to be cleaned. Squeeze the spray trigger to spray a generous amount of cleaning solution over the soiled area. Use the brush on the tool to agitate stains by scrubbing in a back and forth motion.



6. To lift away the stain, apply downward pressure on the front of the cleaning tool and pull the tool backward slowly to vacuum up excess dirty liquids. Repeat as necessary.



7. Empty the dirty water tank when the dirty liquid reaches the "Max Fill" line and there is a loss in suction. See instructions in the **EMPTYING THE DIRTY WATER TANK** (page 14-15).
8. Once you have completed cleaning, press the power button; and unplug the power cord plug from the outlet.
9. Turn the power cord hooks to the proper position and wrap the cord loosely around the power cord hooks.

EMPTYING THE DIRTY WATER TANK

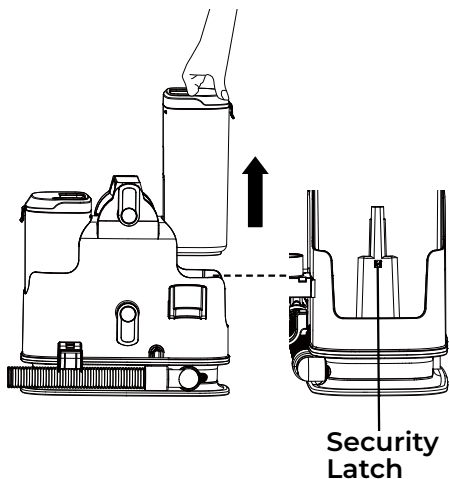


WARNING

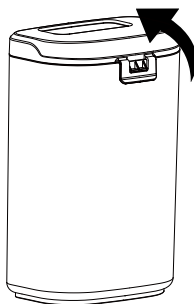
Always unplug power cord from electrical outlet before performing any service on spot cleaner.

Empty the dirty water tank when the dirty liquid reaches the "Max Fill" line and there is a loss in suction. During normal use, debris may accumulate in the dirty water tank. In order to keep the spot cleaner functioning properly, rinse out the dirty water tank with clean water after each use.

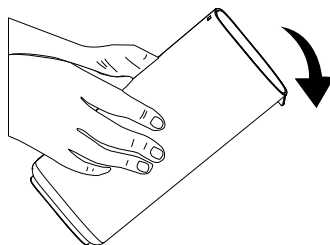
1. Lift up the dirty water tank from the side of the unit. A security latch is positioned to keep the dirty water tank in position to avoid unintentional release. The latch will automatically release when the tank is pulled upwards.



2. Remove the dirty water tank cover by undoing the dirty water tank cover release.

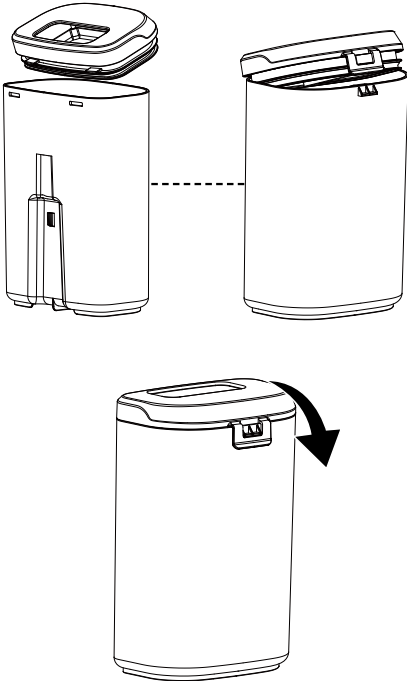


3. Empty the tank into a sink or toilet. Rinse the tank thoroughly with clean water. If continuing to use after emptying the dirty water tank, be sure to dry the outside of the tank before reinstalling.

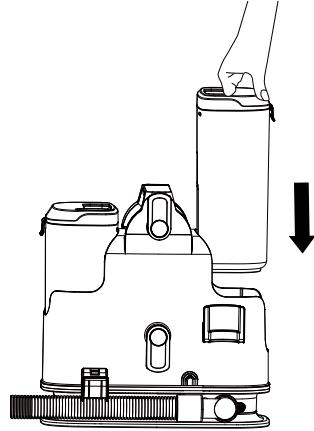


EMPTYING THE DIRTY WATER TANK

4. Insert the locking tabs into the slots of the dirty water tank first and then secure the dirty water tank cover back into place until a click is heard.



5. Reinstall the dirty water tank back onto the unit. The security latch will automatically secure the dirty water tank in position. A click will be heard when correctly installed.



WARNING

The motor noise changes to a higher pitch when the dirty water tank is full or blocked. Stop the spot cleaner immediately and empty the dirty water tank.

MAINTENANCE AND CARE

Always follow all safety precautions when performing maintenance to the spot cleaner.



WARNING

Electrical Shock and Personal Injury Hazard

Disconnect electrical supply before servicing or cleaning the spot cleaner. Failure to do so could result in electrical shock or personal injury from spot cleaner suddenly starting.

CLEANING EXTERIOR AND ATTACHMENTS

1. Turn off and unplug spot cleaner. **DO NOT** drip water on spot cleaner.
2. To clean exterior, or to reduce static electricity and dust build-up, wipe outer surface

with a clean, soft cloth that has been dipped in a solution of mild liquid detergent and water, then wrung dry. Wipe dry after cleaning.

SPOT CLEANER STORAGE



WARNING

Electrical Shock and Personal Injury Hazard

Wrapping the cord too tightly puts stress on the cord and can cause cord damage. A damaged cord is an electrical shock hazard and could cause personal injury or damage.

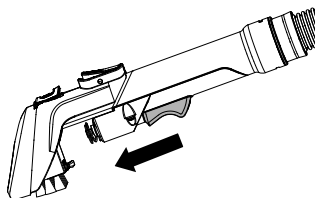
1. Replace suction hose and attachments in storage position.
2. Wrap the power cord loosely around the cord hooks. Attach plug retainer clip onto the power cord.

3. Empty the clean water tank (if necessary). Rinse it out before replacing on the unit. Open the clean water tank cap to allow it to air dry.
4. Empty the dirty water tank then rinse, clean and dry before placing back on the unit.
5. Store the spot cleaner in a dry and cool indoor area.

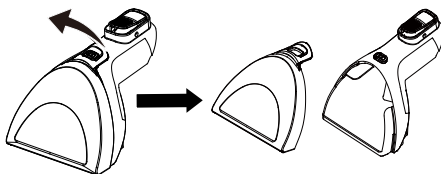
CLEANING THE TOUGH STAIN NOZZLE

It is recommended to clean the tough stain nozzle with water after each use.

1. Press the tool release button to remove the attachment from the hose.



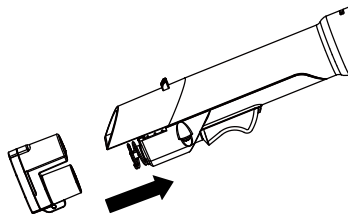
2. Pull up the cover release tab on the nozzle to remove the cover.



3. Rinse thoroughly with clean water. Allow the parts to dry before reinstalling.
4. Reinstall the nozzle cover and then insert back into place until a click is heard.

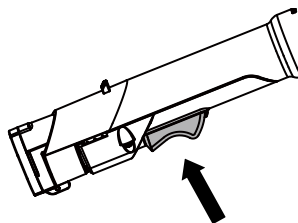
HOSE CLEANING TOOL

1. Remove the clean water tank and fill with clean water.
2. Attach the hose cleaning tool to the suction hose. Ensure the tough stain nozzle is removed.



3. Make sure both the clean water and dirty water tanks are secured on the unit.

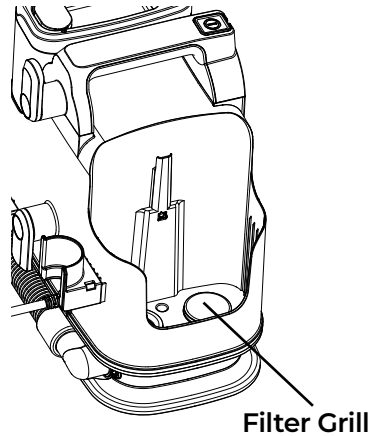
4. Press the power button to turn the spot cleaner on and hold the spray trigger for 30 seconds. The clean water will rush through the suction hose, effectively cleaning and removing any trapped dirt and debris in the hose which may build up over time. Repeat as needed. Let the machine run for 5-10 seconds before turning off.



5. Turn off and unplug the spot cleaner.

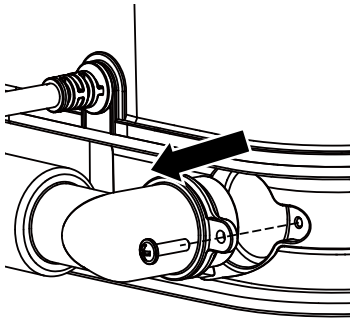
CLEANING THE FILTER GRILL

1. Firmly grip the dirty water tank handle and carefully pull the tank away from the main body.
2. Once the tank is removed, you will see the filter grill.
3. Use a soft brush or cloth (or a small vacuum attachment) to gently remove any accumulated dirt, hair, or large debris from the filter grill.
4. Ensure the grill is clean before reattaching the dirty water tank until it clicks securely back into place.



REMOVING THE HOSE BLOCKAGE

1. Use a Phillips screw driver to unscrew the hose and remove it from the spot cleaner. Do not pull the hose excessively.



2. Check and remove any clogs.
3. Ensure the sealing ring is positioned on the hose properly. Reattach the hose onto the spot cleaner and tighten the screw.

NOTE: Do not use scissors or other sharp objects to remove blockages from the hose as these may damage the hose.

TROUBLESHOOTING

Review this table to find do-it-yourself solutions for minor performance problems. Any service needed, other than maintenance described in this Use & Care Guide, should be performed by a qualified service agent.



WARNING

Disconnect electrical supply before performing maintenance to the spot cleaner. Failure to do so could result in electrical shock or personal injury.

PROBLEM	POSSIBLE CAUSE	SOLUTION
The cleaner will not run.	Unplugged at wall outlet.	Plug in firmly.
	Defective wall outlet.	Check with a good appliance or lamp. Be sure the power cord plug is fully plugged into a good wall outlet.
	The motor is damaged.	Call 1-877-531-7321 (US) / 1-844-608-3081 (CA) for assistance.
Poor job of dirt pick-up.	Dirty water tank is not installed correctly.	Check the dirty water tank for correct installation. Ensure it is installed in place.
	Dirty water tank is full.	Empty the dirty water tank.
	The suction hose is clogged.	Clean the hose. Refer to page 18.
	Float valve is activated.	Empty the dirty water tank.
Water escapes from the spot cleaner.	Dirty water tank is full.	Empty the dirty water tank.
	Dirty water tank is not installed correctly.	Check the dirty water tank for correct installation. Ensure it is installed in place.
	Clean water tank is not installed correctly.	Check the clean water tank for correct installation. Ensure it is installed in place.
Reduced or no spray through nozzle of the cleaner.	Clean water tank is empty.	Fill the clean water tank.
	Clean water tank is not installed correctly.	Check the clean water tank for correct installation. Ensure it is installed in place.
Hose nozzle will not spray after filling the clean water tank.	Air is trapped in the pump and hose.	Turn on the spot cleaner. If hose does not spray, prime the pump by lowering the hose down to the floor and hold the trigger for up to 1 minute.

TROUBLESHOOTING

Motor noise becomes high-pitched.	Dirty water tank is full.	Empty the dirty water tank.
	The suction hose is clogged.	Clean the hose. Refer to page 18.
	The float in the dirty water tank has been activated.	Empty and clean the dirty water tank.

TABLA DE CONTENIDO

Antes de usar su nueva limpiador de manchas	1
Lista de piezas incluidas.....	1
Instrucciones de seguridad importantes.....	2-4
Instrucciones sobre el aislamiento doble	5
Garantía de la limpiador de manchas	6
Piezas y características.....	7
Instrucciones de ensamblaje	8-10
Instrucciones de uso.....	11-16
Mantenimiento y cuidado	17-19
Resolución de problemas.....	20-21
Solicitud de ayuda o reparaciones	Tapa posterior

ANTES DE USAR SU NUEVA LIMPIADOR DE MANCHAS

Lea esta guía de uso y cuidado. Lo ayudará a ensamblar y operar su nueva Limpiador de Manchas Kenmore de la manera más segura y efectiva posible.

Por más información sobre el cuidado y operación de la limpiador de manchas, llame a la Línea de ayuda para aspiradoras al 1-877-531-7321 (EE. UU.) / 1-844-608-3081 (Canadá). Necesitará el modelo completo y los números de serie al solicitar información.

El modelo de su limpiador de manchas y los números de serie se ubican en la placa de modelo y número de serie. Use el siguiente espacio para registrar el número de modelo y el número de serie de su nueva limpiador de manchas Kenmore.

N° de modelo _____

N° de serie _____

Fecha de compra _____

Guarde este libro y su boleta (recibo) de venta en un lugar seguro para usarlos como referencia a futuro.

LISTA DE PIEZAS INCLUIDAS

Su LIMPIADOR DE MANCHAS KENMORE posee las siguientes piezas y componentes incluidos por separado en la caja:

- | | |
|--|--|
| 1 Limpiador de Manchas | 1 Clip de Almacenamiento de Manguera |
| 1 Solución de limpieza de alfombras de 8 onzas | 1 Herramienta de limpieza de mangueras |
| 1 Boquilla reversible para manchas difíciles | 1 Guía de uso y cuidado |
| 1 Clip de Almacenamiento de Herramientas | |

INSTRUCCIONES DE SEGURIDAD IMPORTANTES

Lea todas las instrucciones de esta guía antes de ensamblar o usar su limpiador de manchas.

¡ADVERTENCIA!

Su seguridad es importante para nosotros. Para reducir el riesgo de incendio, descarga eléctrica, lesiones a personas o daños al utilizar su limpiador de manchas, siga las precauciones de seguridad básicas, incluidas las siguientes:

- Use el limpiador de manchas solo como se describe en esta Guía de uso y cuidado. Use solo los accesorios recomendados por el fabricante.
- Ensamble completamente antes de operar.
- Utilice el limpiador de manchas únicamente en el voltaje especificado en la placa de datos.
- No deje el limpiador de manchas enchufado. Desenchúfelo del tomacorriente cuando no esté en uso y antes de realizar el mantenimiento.
- No exponerlo a la lluvia. Almacenar en interiores.
- No lo sumerja. Úselo solo en alfombras humedecidas por el proceso de limpieza.
- No permita que sea usado como juguete. Es necesario estar muy atento al utilizarlo cerca de niños.
- No lo use con un cordón o enchufe dañados. Si el limpiador de manchas no funciona como debería, se ha caído, se ha dañado, se ha dejado al aire libre o se ha caído al agua, deje de usarlo inmediatamente y llame al 1-877-531-7321 (Estados Unidos) / 1-844-608-3081 (Canadá) para obtener ayuda.
- No jale ni transporte por el cable, ni use el cable como manija, ni cierre una puerta sobre el cable ni lo jale alrededor de esquinas y bordes afilados. No pase el limpiador de manchas por encima del cable. Mantenga el cable alejado de fuentes de calor.
- No desconecte jalando del cable. Para desconectar, tome por el enchufe, no por el cable.
- No manipule el enchufe ni el aparato con las manos mojadas.
- No coloque ningún objeto dentro de las aberturas.
- No lo use con ninguna abertura bloqueada; mantenga las aberturas libres de polvo, pelusa, cabello y cualquier cosa que pueda reducir el flujo de aire.
- Mantenga el cabello, la ropa holgada, los dedos y las partes del cuerpo alejados de las aberturas y partes móviles.
- Apague todos los controles antes de desconectar.
- Tenga mucho cuidado al limpiar escaleras. Para evitar lesiones personales o daños y evitar

INSTRUCCIONES DE SEGURIDAD IMPORTANTES

que el limpiador de manchas se caiga, siempre colóquelo al pie de las escaleras o en el piso. No coloque el limpiador de manchas en escaleras o muebles, ya que puede provocar lesiones o daños.

- No lo coloque sobre sillas, mesas, etc. Manténgalo en el piso.
- No use el limpiador de manchas para recoger materiales inflamables o combustibles (líquido para limpieza, gasolina, perfumes, etc.) ni lo use en áreas donde estos puedan estar presentes. Los vapores de estas sustancias pueden crear riesgo de incendio o explosión.
- Para reducir el riesgo de daños para la salud derivados de vapores o polvos, no aspire materiales tóxicos.
- No lo utilice ni lo almacene cerca de materiales peligrosos.
- No recoja nada que esté ardiendo o humeando, como cigarrillos, fósforos o cenizas calientes.
- No use el limpiador de manchas sin los tanques colocados.
- No limpie los enchufes eléctricos que se encuentran sobre el piso.
- No use el limpiador de manchas para recoger objetos duros y afilados, juguetes pequeños, alfileres, clips, etc. Podrían dañar el limpiador de manchas o el recipiente para el polvo.
- No use objetos afilados para limpiar la manguera, ya que

pueden causar daños.

- Para ayudar a evitar que se enreden y se vuelvan a ensuciar, evite el contacto con las alfombras hasta que estén secas. Mantenga a los niños y mascotas alejados de las alfombras hasta que estén completamente secas.
- No guarde el limpiador de manchas con solución en los tanques.
- Utilice solo la solución de limpieza Kenmore previstas para este aparato para evitar daños en los componentes internos.
- Este limpiador de manchas está provisto con doble aislamiento. Use únicamente piezas de repuesto idénticas. Ver INSTRUCCIONES SOBRE EL AISLAMIENTO DOBLE.
- Usted es responsable de asegurarse de que el limpiador de manchas no sea usado por nadie que no pueda operarlo correctamente.



PRECAUCIÓN

Para reducir el riesgo de lesiones causadas por piezas móviles, desconéctelo antes de darle mantenimiento.



ADVERTENCIA

Para reducir el riesgo de descarga eléctrica: desenchúfelo antes de limpiarlo o realizarle mantenimiento.

INSTRUCCIONES DE SEGURIDAD IMPORTANTES

GUARDE ESTAS INSTRUCCIONES

El correcto ensamblaje y el uso seguro de su limpiador de manchas son su responsabilidad. Su limpiador de manchas está diseñada solo para uso doméstico. Lea esta guía de uso y cuidado para obtener información importante sobre uso y seguridad. Esta guía contiene afirmaciones de seguridad bajo símbolos de advertencia y precaución.


INSTRUCCIONES SOBRE EL AISLAMIENTO DOBLE

Este limpiador de manchas tiene doble aislamiento, lo que elimina la necesidad de un sistema de conexión a tierra independiente. Use únicamente piezas de repuesto idénticas. Lea las instrucciones de Mantenimiento del Limpiador de Manchas con Doble Aislamiento antes de realizar el servicio. Use este limpiador de manchas solo como se describe en este manual.


Observe las siguientes advertencias que aparecen en la carcasa del motor del limpiador de manchas.

 Doble aislación - No requiere conexión a tierra - Al realizar tareas de mantenimiento use únicamente repuestos idénticos.

 **ADVERTENCIA**
Para reducir el riesgo de descarga eléctrica, no exponer a la lluvia. Almacenar en interiores.

 **ADVERTENCIA**
Para su propia seguridad, lea y comprenda la Guía de uso y cuidado. No utilizar sin supervisión. No recoja cenizas calientes, carbones, materiales tóxicos, inflamables u otros materiales peligrosos. No utilizar alrededor de líquidos o vapores explosivos.

ADVERTENCIA

Mantenimiento de Limpiadoras de manchas con doble aislación
Las limpiadoras de manchas de doble aislación cuentan con dos sistemas de aislación en vez de una conexión a tierra. No se proporciona ningún medio de conexión a tierra en un aparato con doble aislamiento, ni se debe agregar un medio para la conexión a tierra. Para realizar tareas de mantenimiento sobre una limpiadora de manchas de doble aislamiento, se necesita de un cuidado extremo y conocimientos sobre el sistema, y debería realizarlo únicamente personal de servicio calificado. Los repuestos para la limpiadora de manchas con doble aislamiento deben ser partes idénticas a las que reemplazan. Su limpiadora de manchas con doble aislamiento tiene una marca con las palabras "Double Insulated" (Doble aislamiento) y el símbolo  (cuadrado dentro de un cuadrado) también podría estar presente en el electrodoméstico.

GARANTÍA DE LA LIMPIADOR DE MANCHAS

GARANTÍA LIMITADA

DURANTE UN AÑO a contar de la fecha de venta (o, para entregas en el Estado de California, un año a partir de la fecha de entrega), este producto está garantizado contra defectos en sus materiales o fabricación.

Un producto defectuoso puede reemplazarse por uno nuevo, de manera gratuita, considerando que se presente una **PRUEBA DE VENTA**.

La marca Kenmore se utiliza bajo licencia. Dirija sus reclamaciones de garantía a: 1-877-531-7321 (Estados Unidos) / 1-844-608-3081 (Canadá).

Esta garantía no cubre los filtros ni correas, las cuales son piezas desechables que pueden desgastarse debido al uso normal dentro del periodo de garantía.

Esta garantía queda nula si el producto llega a usarse para algún propósito que no sea el uso privado doméstico. Esta garantía le entrega derechos legales específicos que pueden variar según su estado (podría tener otros derechos adicionales).

Cleva North America, Inc., Greenville SC 29607

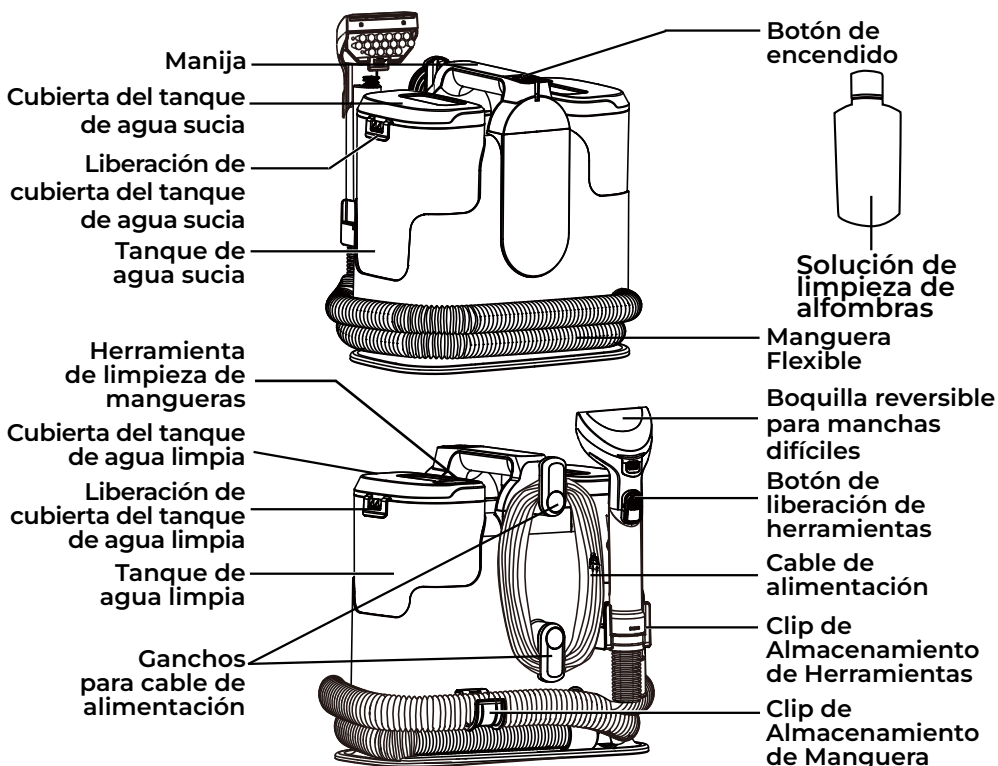
PIEZAS Y CARACTERÍSTICAS

Es importante conocer las partes y características de su limpiador de manchas para garantizar su uso adecuado y seguro. Revise estas indicaciones antes de usar su limpiador de manchas.

PIEZAS DE REPUESTO

Artículo	N° de parte (Estados Unidos)	N° de parte (Canadá)
Clip de Almacenamiento de Herramientas	671008101	671008101
Tanque de agua sucia	671047101	671047101
Tanque de agua limpia	671047102	671047102
Boquilla reversible para manchas difíciles	671047103	671047103
Herramienta de limpieza de mangueras	671011109	671011109
Clip de Almacenamiento de Manguera	671008104	671008104

Para solicitar una pieza de repuesto, llame al 1-877-531-7321 (EE. UU.) / 1-844-608-3081 (Canadá).



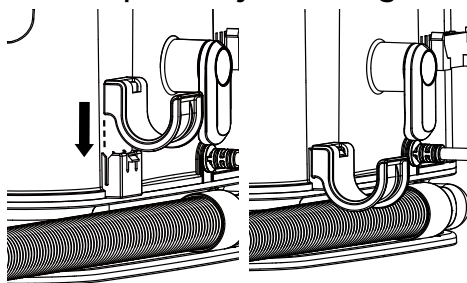


Preste especial atención a estos cuadros de alerta de peligro y siga todas las instrucciones indicadas. Las declaraciones de **ADVERTENCIA** lo alertan sobre riesgos tales como incendio, descarga eléctrica, quemaduras y lesiones personales. Las declaraciones de **PRECAUCIÓN** lo alertan sobre riesgos tales como lesiones personales o daño a la propiedad.

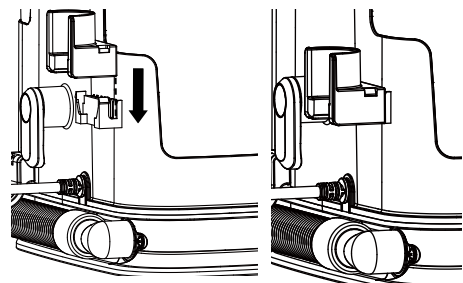
INSTRUCCIONES DE ENSAMBLAJE

Antes de armar la limpiador de manchas, revise la **LISTA DE PIEZAS INCLUIDAS** (página 1). Utilice esta lista para comprobar que ha recibido todos los componentes de su nueva limpiador de manchas Kenmore.

1. Alinee el clip de almacenamiento de manguera con la ranura como se muestra. Deslice hacia abajo el clip de almacenamiento de manguera hasta que encaje en su lugar.

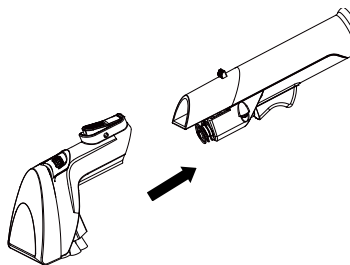


2. Alinee el clip de almacenamiento de herramientas con la ranura como se muestra. Deslice hacia abajo el clip de almacenamiento de herramientas hasta que encaje en su lugar.



3. Inserte la herramienta para manchas difíciles en el extremo de la manguera de succión hasta que esté asegurada en su lugar.

Para remover: Presione el botón de liberación de la herramienta y tire de la herramienta para manchas difíciles.



Boquilla reversible para manchas difíciles

Esta herramienta está diseñada con dos lados, un cepillo de cerdas y un cepillo de goma.

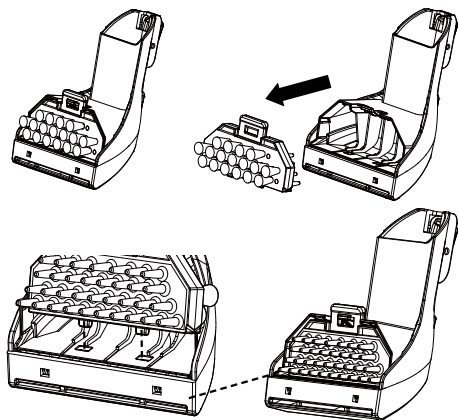
Utilice el lado de cerdas para frotar y eliminar manchas, suciedad o restos de mascotas de alfombras, tapicerías y superficies de tela.

Use el lado de goma para quitar el pelo incrustado de mascotas y los restos de tapicería, camas de mascotas y más.

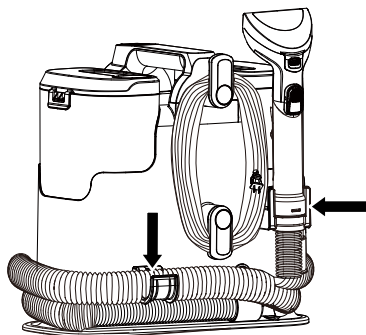
Gire la herramienta según sea

INSTRUCCIONES DE ENSAMBLAJE

necesario para cambiar de lado y obtener resultados de limpieza más eficaces. Inserte primero las dos lengüetas en las ranuras y fije el cepillo en su sitio.

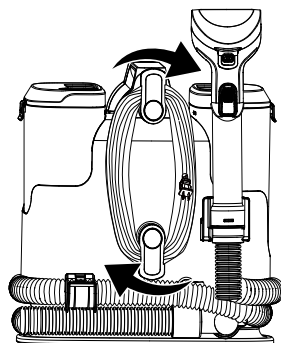


NOTA: Coloque la manguera flexible en el clip de almacenamiento de manguera. Coloque el extremo de la manguera con la herramienta instalada en el clip de almacenamiento de herramientas cuando no esté en uso.

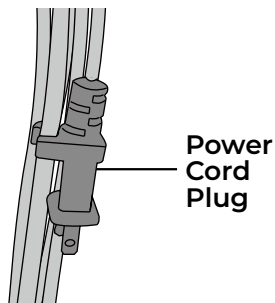


4. Asegúrese de que ambos ganchos del cable de alimentación estén en la posición adecuada, como se muestra. Enrolle el cable de alimentación sin apretar alrededor de los ganchos para el cable.

NOTA: Asegúrese de enrollar el cable de alimentación alrededor del gancho inferior primero y luego alrededor del gancho superior para evitar dañar el cable de alimentación.



5. Bloquee el enchufe del cable de alimentación en el mismo cable.



INSTRUCCIONES DE ENSAMBLAJE



ADVERTENCIA

Riesgo de descarga eléctrica y lesiones personales

Enrollar el cable demasiado firme y con tensión excesiva puede provocar daños. Un cable dañado representa un peligro de descarga eléctrica y podría causar lesiones a las personas o daños.

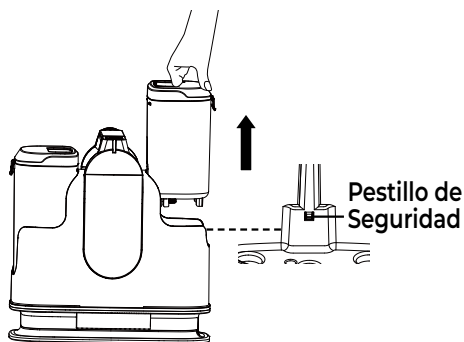
ENCHUFE POLARIZADO

Para reducir el riesgo de descarga eléctrica, este aparato tiene un enchufe polarizado (una clavija más ancha que la otra). Este enchufe calzará en la toma de corriente de pared polarizado solo en una posición. Si el enchufe no entra completamente en la toma de corriente, póngalo al revés. Si aún no calza, contacte a un técnico electricista calificado que pueda ayudarle a instalar la toma de corriente indicado. No modifique el enchufe de ningún modo. El aislamiento doble elimina la necesidad de usar un cable de tres puntas y un sistema de alimentación con conexión a tierra.

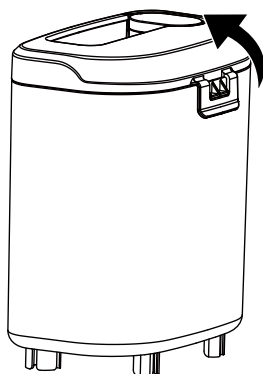
INSTRUCCIONES DE USO

LLENADO DEL TANQUE DE AGUA LIMPIA

1. Levante el tanque de agua limpia desde el costado de la unidad. Se coloca un pestillo de seguridad para mantener el tanque de agua limpia en su posición y evitar que se suelte involuntariamente. El pestillo se soltará automáticamente cuando se tire del tanque hacia arriba.



2. Remueva la cubierta del tanque de agua limpia aflojando el mecanismo de liberación de la cubierta del tanque de agua limpia.



3. Llene el tanque con agua limpia y solución. Asegúrese de que se utiliza la proporción correcta de agua y de solución de limpieza, consulte para ello la etiqueta de la solución.

ÁREA DE LIMPIEZA PEQUEÑA:

Líquido 0,8 L/0,2 G

ÁREA DE LIMPIEZA GRANDE:

Líquido 1,6 L/0,4 G

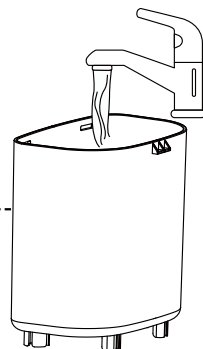
LARGE CLEANING AREA

(1.6L/0.4G Liquid Max Fill)

----- (1.2L/0.3G Liquid) -----

SMALL CLEANING AREA

(0.8L/0.2G Liquid)



No exceda el llenado del tanque de agua limpia por encima de la línea de llenado máximo indicada en el tanque de agua limpia.



PRECAUCIÓN

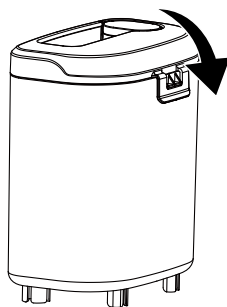
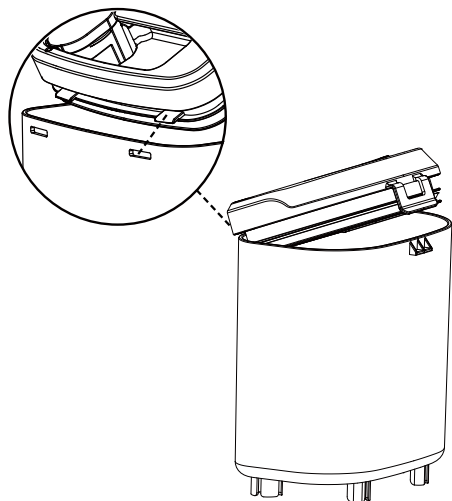
No llene con agua a más de 104 °F (40 °C).

LLENADO DEL TANQUE DE AGUA LIMPIA

NOTA: Esta limpiador de manchas viene con una botella de solución de limpieza de 8 onzas (236 ml) incluida. Asegúrese de que la solución de limpieza y el agua estén bien mezcladas. El agua debe estar a temperatura ambiente. Una vez que se agote la muestra inicial, utilice únicamente la solución limpiadora KS1010 de Kenmore (disponible en kenmorefloorcare.com). El uso de otras soluciones puede provocar una espuma excesiva y anulará la garantía.

NOTA: Usa más de la cantidad recomendada de solución de limpieza podría generar un exceso de espuma. **MANTENER FUERA DEL ALCANCE DE LOS NIÑOS.** En caso de contacto con los ojos, enjuáguelos bien con agua fría. Si la irritación continúa, consulte a un médico.

4. Primero inserte las pestañas de bloqueo en las ranuras del tanque de agua limpia y luego asegure la cubierta del tanque de agua limpia en su lugar hasta que escuche un clic.



5. Vuelva a instalar el tanque de agua limpia en la unidad. El pestillo de seguridad se asegurará automáticamente una vez que el tanque de agua limpia esté en su posición. Se escuchará un clic cuando lo instale correctamente.

USO DEL LIMPIADOR DE MANCHAS

¡IMPORTANTE! Antes de usar el limpiador de manchas, aspire bien el área a limpiar. Siempre pruebe una pequeña área oculta para comprobar la solidez del color y la distorsión de la felpa. Pruebe la solidez del color: frote suavemente la superficie con un paño blanco humedecido que contenga solución limpiadora. Espere 10 minutos y verifique la eliminación del color con una toalla de papel blanca. Si el color se modifica, no lo use.

NOTA: Para evitar manchas, utilice plástico, papel encerado o papel de aluminio para proteger las superficies de madera o metal de posibles rociaduras de agua. Para proteger los suelos de madera debajo de las alfombras, coloque material protector (por ejemplo, plástico) debajo de ellas antes de limpiarlas.

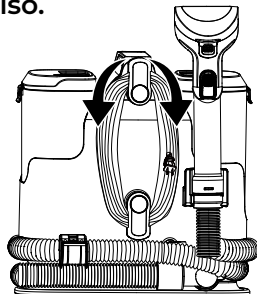
NOTA: Consulte y siga siempre las pautas de cuidado del fabricante antes de usar una solución limpiadora de manchas y un limpiador de manchas.

1. Desenrede la manguera de la unidad. Asegúrese de que la boquilla para manchas difíciles esté bien colocada.

NOTA: La boquilla para manchas difíciles se puede utilizar para limpiar manchas de alfombras, muebles y otras superficies de difícil acceso.

2. Gire los ganchos del cable de alimentación hacia dentro desde ambos lados para soltar el cable de alimentación.

3. Desenchufe el cable de alimentación de la toma de corriente si es necesario. Enchufe el cable de alimentación en una toma de corriente situada cerca del piso.

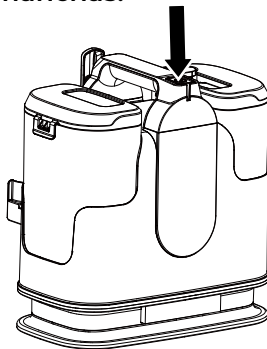


⚠ ADVERTENCIA

Riesgo de daños al producto y lesiones personales

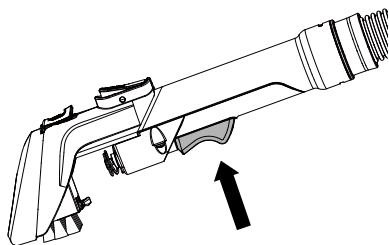
- Cuando ocurra una anomalía/falla, deje de usar el producto inmediatamente y desconecte la clavija.
- **NO** utilice tomacorrientes que estén sobre mesones o mesas. El cable podría dañar algunos artículos o al área circundante.

4. Presione el botón de encendido para encender el limpiador de manchas.

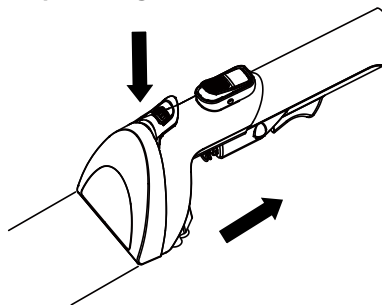


USO DEL LIMPIADOR DE MANCHAS

5. Sostenga la herramienta aproximadamente 1 pulgada sobre la mancha a limpiar. Apriete el gatillo del rociador para rociar una cantidad generosa de solución limpiadora sobre el área sucia. Utilice el cepillo en la herramienta para remover las manchas frotando en vaivén.



6. Para quitar la mancha, aplique presión hacia abajo en la parte frontal de la herramienta de limpieza y tire de la herramienta hacia atrás lentamente para aspirar el exceso de líquidos sucios. Repita según sea necesario.



7. Vacíe el tanque de agua sucia cuando el líquido sucio llegue a la línea "Máx. llenado" y haya una pérdida de succión. Consulte las instrucciones en VACIAR EL TANQUE DE AGUA SUCIA. (página 15-16).
8. Una vez que haya terminado de limpiar, presione el botón de encendido; desenchufe el cable de alimentación del tomacorriente.
9. Gire los ganchos del cable de alimentación hacia la posición correcta y enrolle el cable sin apretar alrededor de los ganchos.

VACIAR EL TANQUE DE AGUA SUCIA

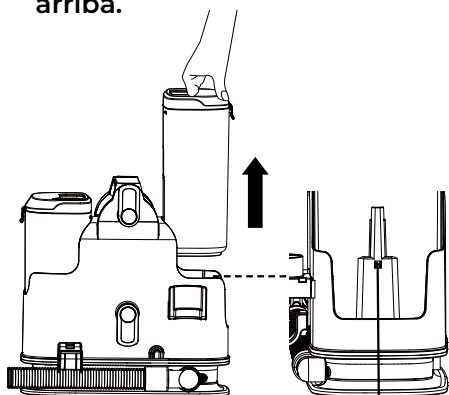


ADVERTENCIA

Desconecte siempre el cable de alimentación de la toma de corriente antes de realizar cualquier reparación o limpieza en la limpiador de manchas.

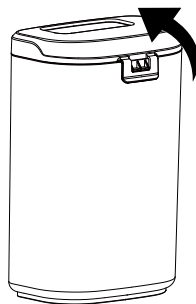
Vacíe el tanque de agua sucia cuando el líquido sucio llegue a la línea "Máx. llenado" y haya una pérdida de succión. Durante el uso normal, es posible que se acumulen residuos en el tanque de agua sucia. Para que el limpiador de manchas siga funcionando correctamente, enjuague el tanque de agua sucia con agua limpia después de cada uso.

1. Levante el tanque de agua sucia desde el costado de la unidad. Se coloca un pestillo de seguridad para mantener el tanque de agua sucia en su posición y evitar que se suelte involuntariamente. El pestillo se soltará automáticamente cuando se tire del tanque hacia arriba.

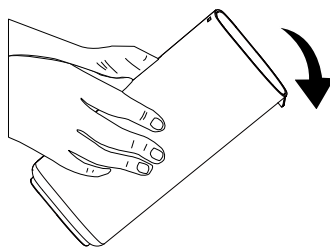


Pestillo de Seguridad

2. Remueva la cubierta del tanque de agua sucia aflojando el mecanismo de liberación de la cubierta del tanque de agua sucia.

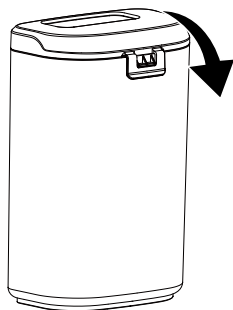
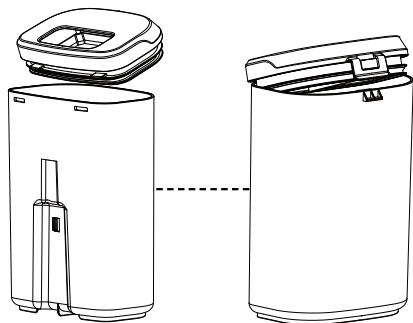


3. Vacíe el tanque en un lavabo o inodoro. Enjuague el tanque a fondo con agua limpia. Si continúa usándolo después de vaciar el tanque de agua sucia, asegúrese de secar el exterior del tanque antes de reinstalarlo.

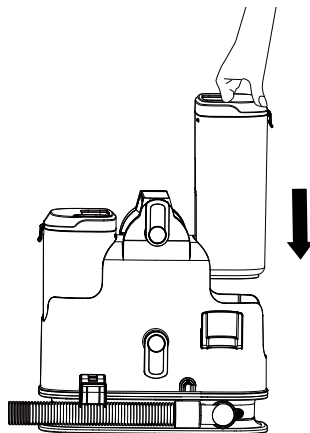


VACIAR EL TANQUE DE AGUA SUCIA

4. Inserte las pestañas de bloqueo en las ranuras del tanque de agua sucia y luego asegure la cubierta del tanque de agua sucia en su lugar hasta que escuche un clic.



5. Vuelva a instalar el tanque de agua sucia dentro de la unidad. El pestillo de seguridad se asegurará automáticamente una vez que el tanque de agua sucia esté en su posición. Se escuchará un clic cuando lo instale correctamente.



⚠ ADVERTENCIA

El ruido del motor cambia a un tono más alto cuando el tanque de agua sucia está lleno o bloqueado. Detenga el limpiador de manchas inmediatamente y vacíe el tanque de agua sucia.

MANTENIMIENTO Y CUIDADO

Siga siempre todas las precauciones de seguridad al realizar mantenimiento a la limpiador de manchas.



ADVERTENCIA

Riesgo de descarga eléctrica y lesiones personales

Desconecte la limpiador de manchas de la toma de corriente antes de repararla o limpiarla. No hacer esto podría provocar descargas eléctricas o lesiones personales provocadas por un encendido súbito de la limpiador de manchas.

LIMPIEZA DEL EXTERIOR Y DE LOS ACCESORIOS

1. Apague y desenchufe el limpiador de manchas. NO escurra agua sobre el limpiador de manchas.
2. Para limpiar el exterior o para reducir la electricidad estática y la obstrucción de polvo, limpie la superficie exterior con

un paño limpio y suave que se haya empapado con una solución de detergente líquido suave y agua para luego haberse estrujado. Seque después de limpiar.

ALMACENAMIENTO DEL LIMPIADOR DE MANCHAS



ADVERTENCIA

Riesgo de descarga eléctrica y lesiones personales

Enrollar el cable demasiado firme y con tensión excesiva puede provocar daños. Un cable dañado representa un peligro de descarga eléctrica y podría causar lesiones a las personas o daños.

1. Vuelva a colocar la manguera de succión y los accesorios en la posición de almacenamiento.
2. Enrolle el cable de alimentación sin apretar alrededor de los ganchos para el cable. Coloque el clip de

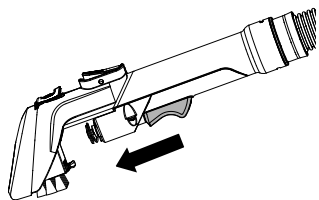
retención del enchufe en el cable de alimentación.

3. Vacíe el tanque de agua limpia (si es necesario). Enjuáguelo antes de volver a colocarlo en la unidad. Abra la cubierta del tanque de agua limpia para permitir que se seque al aire.
4. Vacíe el tanque de agua sucia luego enjuáguelo, límpielo y séquelo antes de volver a colocarlo en la unidad.
5. Guarde el limpiador de manchas en un área interior seca y fresca.

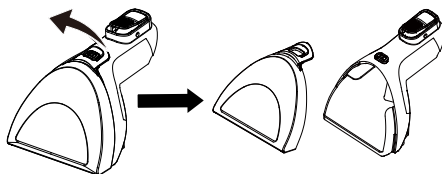
LIMPIEZA DE LA BOQUILLA PARA MANCHAS DIFÍCILES

Se recomienda limpiar la boquilla para manchas difíciles con agua después de cada uso.

1. Presione el botón de liberación de la herramienta para quitar el accesorio de la manguera.



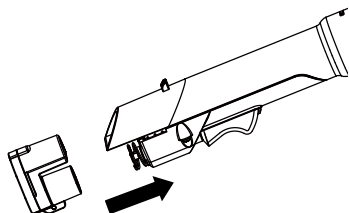
2. Abra la pestaña de liberación de la cubierta en la boquilla para quitar la cubierta.



3. Enjuague a fondo con agua limpia. Permita que las piezas se sequen antes de volver a instalarlas.
4. Vuelva a instalar la cubierta de la boquilla y luego vuelva a insertarla en su lugar hasta que escuche un clic.

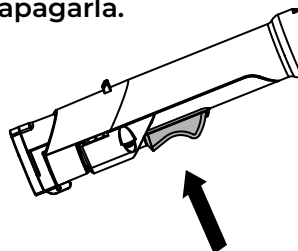
HERRAMIENTA DE LIMPIEZA DE MANGUERAS

1. Remueva el tanque de agua limpia y llénelo con agua limpia.
2. Conecte la herramienta de limpieza de mangueras a la manguera de succión. Asegúrese de retirar la boquilla para manchas difíciles.



3. Asegúrese de que tanto el tanque de agua limpia como el de agua sucia estén asegurados en la unidad.
4. Presione el botón de encendido para encender el limpiador de manchas y

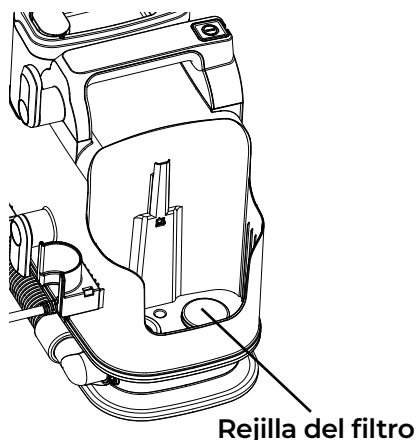
mantenga presionado el gatillo de rociar durante 30 segundos. El agua limpia correrá a través de la manguera de succión, y limpiará y eliminará eficazmente la suciedad y los residuos atrapados en la manguera que hayan podido acumularse con el tiempo. Repita según sea necesario. Deje que la máquina funcione durante 5 a 10 segundos antes de apagarla.



5. Apague y desenchufe el limpiador de manchas.

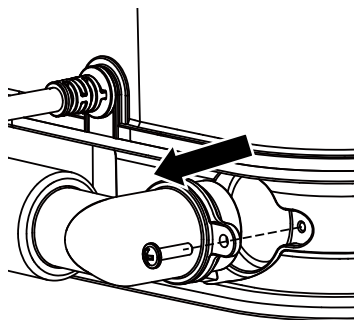
LIMPIEZA DE LA REJILLA DEL FILTRO

1. Sujete firmemente el asa del depósito de agua sucia y sepárelo con cuidado del cuerpo principal.
2. Una vez retirado el depósito, verá la rejilla del filtro.
3. Utilice un cepillo suave o un paño (o un pequeño accesorio de aspiradora) para eliminar con cuidado la suciedad, el pelo o los residuos grandes acumulados en la rejilla del filtro.
4. Asegúrese de que la rejilla esté limpia antes de volver a colocar el depósito de agua sucia hasta que encaje firmemente en su sitio.



ELIMINACIÓN DE LA OBSTRUCCIÓN DE LA MANGUERA

1. Utilice un destornillador Philips para desenroscar la manguera y extraerla del limpiador puntual. No tire excesivamente de la manguera.



2. Compruebe y elimine cualquier obstrucción.
3. Asegúrese de que el anillo de sellado está bien colocado en la manguera. Vuelva a colocar la manguera en el limpiador puntual y apriete el tornillo.

NOTA: No utilice tijeras ni otros objetos afilados para eliminar los atascos de la manguera, ya que podrían dañarla.

RESOLUCIÓN DE PROBLEMAS

Revise estas soluciones tipo hágalo usted mismo para resolver problemas de rendimiento menores. Cualquier reparación necesaria que no sean los procedimientos de mantenimiento indicados en esta guía de uso y cuidado se deben realizar mediante un agente de servicio calificado.



ADVERTENCIA

Desconecte el suministro eléctrico antes de realizar cualquier trabajo de mantenimiento en la limpiador de manchas. El no seguir estas indicaciones puede provocar lesiones personales o descargas eléctricas.

PROBLEMA	CAUSA PROBABLE	SOLUCIÓN
El limpiador de manchas no funciona.	Está desenchufada del tomacorriente.	Enchufe firmemente.
	Toma de corriente defectuosa.	Pruebe usando una lámpara o electrodoméstico que funcione correctamente. Asegúrese de que el cable de alimentación esté conectado completamente en una toma de corriente que esté funcionando.
	El motor está dañado.	Llame al 1-877-531-7321 (Estados Unidos) / 1-844-608-3081 (Canadá) para obtener ayuda.
Recolección de suciedad ineficiente.	El tanque de agua sucia no está instalado correctamente.	Verifique que el tanque de agua sucia esté instalado correctamente. Asegúrese de que esté instalado en su lugar.
	El tanque de agua sucia está lleno.	Vacíe el tanque de agua sucia.
	La manguera de succión está obstruida.	Limpie la manguera. Consulte la página 19.
	La válvula flotante está activada.	Vacíe el tanque de agua sucia.
El agua escapa del limpiador de manchas.	El tanque de agua sucia está lleno.	Vacíe el tanque de agua sucia.
	El tanque de agua sucia no está instalado correctamente.	Verifique que el tanque de agua sucia esté instalado correctamente. Asegúrese de que esté instalado en su lugar.
	El tanque de agua limpia no está instalado correctamente.	Verifique que el tanque de agua limpia esté instalado correctamente. Asegúrese de que esté instalado en su lugar.

RESOLUCIÓN DE PROBLEMAS

Rocío reducido o nulo a través de la boquilla del limpiador.	El tanque de agua limpia está vacío.	Llene el tanque de agua limpia.
	El tanque de agua limpia no está instalado correctamente.	Verifique que el tanque de agua limpia esté instalado correctamente. Asegúrese de que esté instalado en su posición correcta.
La boquilla de la manguera no rocía después de llenar el tanque de agua limpia.	Hay aire atrapado en la bomba y la manguera.	Encienda el limpiador de manchas. Si la manguera no rocía, ceba la bomba bajando la manguera hasta el piso y mantenga presionado el gatillo hasta por 1 minuto.
El ruido del motor se vuelve agudo.	El tanque de agua sucia está lleno.	Vacíe el tanque de agua sucia.
	La manguera de succión está obstruida.	Limpie la manguera. Consulte la página 19.
	Se ha activado el flotador en el tanque de agua sucia.	Vacíe y limpie el tanque de agua sucia.

SOMMAIRE

Avant utilisation de votre nouvel nettoyeur de taches.....	1
Liste du contenu	1
Consignes Importantes De Sécurité.....	2-4
Instructions relatives à la double isolation.....	5
Garantie du nettoyeur de taches	6
Pièces et Fonctionnalités	7
Instructions de montage	8-10
Instructions d'utilisation	11-16
Entretien Et Soins.....	17-19
Dépannage.....	20-21
Demande d'Assistance ou de Service.....	Couverture Arrière

AVANT UTILISATION DE VOTRE NOUVEL NETTOYEUR DE TACHES

Veuillez lire le présent Guide d'utilisation et d'entretien. Il vous sera utile pour monter et utiliser votre nouvel nettoyeur de taches Kenmore en toute sécurité et de la façon la plus efficace possible.

Pour de plus amples informations concernant l'entretien et l'utilisation de votre nettoyeur de taches, veuillez appeler le Service d'Aide En Ligne sur les Aspirateurs en composant le numéro : 1-877-531-7321 (États-Unis) / 1-844-608-3081 (Canada). Lorsque vous demandez des renseignements, vous devez disposer des numéros de modèle et de série complets du produit.

Les numéros de modèle et de série de votre nettoyeur de taches figurent sur la plaque signalétique apposée sur le produit. Notez le numéro de modèle et le numéro de série de votre nouvel nettoyeur de taches Kenmore dans l'espace ci-dessous.

Modèle N° _____

N° de série _____

Date d'achat _____

Veuillez conserver en lieu sûr le présent manuel ainsi que votre ticket de caisse (reçu) afin de pouvoir vous y référer ultérieurement.

LISTE DU CONTENU

Votre NETTOYEUR DE TACHES KENMORE est emballé avec les pièces et composants suivants inclus séparément dans le carton :

- | | |
|---|--------------------------------------|
| 1 Nettoyeur de taches | 1 Clip de rangement du tuyau |
| 1 Formule De Nettoyage De Tapis de 8 on | 1 Outil de nettoyage du tuyau |
| 1 Buse réversible pour taches tenaces | 1 Guide D'Utilisation Et D'Entretien |
| 1 Clip de rangement d'outil | |

CONSIGNES IMPORTANTES DE SÉCURITÉ

Veuillez lire l'intégralité des consignes du présent guide avant de monter ou d'utiliser votre nettoyeur de taches.

AVERTISSEMENT !

Votre sécurité est importante pour nous. Pour réduire tous risques d'incendie, d'électrocution, de blessures corporelles ou de dommages matériels lors de l'utilisation de votre nettoyeur de taches, suivez les précautions de sécurité de base suivantes :

- Utilisez le Nettoyeur de taches uniquement comme décrit dans ce guide d'utilisation et d'entretien. N'utilisez que les accessoires recommandés par le fabricant.
- Assemblez complètement l'appareil avant de l'utiliser.
- Ne faites fonctionner le Nettoyeur de taches qu'à la tension spécifiée sur la plaque signalétique.
- Ne laissez pas le Nettoyeur de taches branché. Débranchez-le lorsqu'il n'est pas utilisé et avant toute opération d'entretien.
- Ne l'exposez pas à la pluie. Rangez-le à l'intérieur.
- Ne l'immergez pas. Ne l'utilisez que sur des tapis humidifiés par le processus de nettoyage.
- Ne permettez pas qu'il soit utilisé comme un jouet. Une attention particulière est nécessaire lorsqu'utilisé par ou à proximité d'enfants.
- Ne l'utilisez pas avec un cordon ou fiche endommagé(e). Si le Nettoyeur de taches ne fonctionne pas comme il le devrait, s'il est tombé, s'il a été endommagé, s'il a été laissé à l'extérieur ou s'il est tombé dans l'eau, cessez immédiatement de l'utiliser et appelez le 1-877-531-7321 (US) / 1-844-608-3081 (CA) pour obtenir de l'aide.
- Ne le tirez pas par le cordon, ne le transportez pas par le cordon, ne l'utilisez pas par le cordon comme poignée, ne fermez pas une porte sur le cordon et ne tirez pas le cordon autour d'arêtes ou d'angles vifs. Ne faites pas passer le Nettoyeur de taches sur le cordon. Maintenez le cordon à l'écart des surfaces chauffées.
- Ne le débranchez pas en tirant sur le cordon. Pour débrancher l'appareil, saisissez la fiche et non le cordon.
- Ne manipulez pas la fiche ou l'appareil avec des mains mouillées.
- N'introduisez pas d'objets dans les ouvertures.
- N'utilisez pas l'appareil si l'une de ses ouvertures est obstruée; veillez à ce qu'il soit exempt de poussière, de peluches, de cheveux et de tout ce qui pourrait réduire le débit d'air.
- Tenez les cheveux, les vêtements amples, les doigts et toutes les parties du corps

CONSIGNES IMPORTANTES DE SÉCURITÉ

- éloignés des ouvertures et des pièces mobiles.
- Désactivez toutes les commandes avant de le débrancher.
 - Faites très attention lorsque vous nettoyez dans les escaliers. Pour éviter les blessures et les dommages, et pour empêcher la chute du Nettoyeur de taches, placez toujours le Nettoyeur de taches au bas des escaliers ou sur le plancher. Ne placez pas le Nettoyeur de taches sur les escaliers ou sur les meubles, car vous risqueriez de vous blesser ou d'endommager l'appareil.
 - Ne le mettez pas sur des chaises, des tables, etc. Gardez-le sur le plancher.
 - N'utilisez pas le Nettoyeur de taches pour aspirer des liquides inflammables ou combustibles (essence, liquide de nettoyage, parfums, etc.) et ne l'utilisez pas dans des endroits où ils peuvent être présents. Les vapeurs de ces substances peuvent créer un risque d'incendie ou d'explosion.
 - Pour réduire les risques sanitaires liés aux vapeurs ou aux poussières, n'aspirez pas de matériaux toxiques.
 - Ne l'utilisez pas et ne le rangez pas à proximité de matières dangereuses.
 - Ne ramassez rien qui brûle ou qui fume, comme des cigarettes, des allumettes ou des cendres.
 - N'utilisez pas le Nettoyeur de taches si les réservoirs ne sont pas en place.
 - Ne nettoyez pas au-dessus des prises électriques encastrées dans le plancher.
 - N'utilisez pas le Nettoyeur de taches pour ramasser des objets durs et pointus, des petits jouets, des épingles, des trombones, etc. Ils risquent d'endommager le Nettoyeur de taches ou le godet à poussière.
 - N'utilisez pas d'objets pointus pour nettoyer le tuyau, car ils pourraient l'endommager.
 - Pour éviter la formation de plis et le ré-encrassement, évitez tout contact avec les tapis jusqu'à ce qu'ils soient secs. Tenez les enfants et les animaux domestiques à l'écart des tapis jusqu'à ce qu'ils soient complètement secs.
 - Ne rangez pas le Nettoyeur de taches avec la solution dans les réservoirs.
 - Utilisez exclusivement les formules de nettoyage Kenmore prévues pour cet appareil afin d'éviter d'endommager les composants internes.
 - Ce Nettoyeur de taches est doté d'une double isolation. N'utilisez que des pièces de rechange identiques. Voir les INSTRUCTIONS RELATIVES À LA DOUBLE ISOLATION.
 - Vous êtes tenu de vous assurer que votre Nettoyeur de taches n'est pas utilisé par une personne incapable de l'utiliser correctement.

CONSIGNES IMPORTANTES DE SÉCURITÉ



ATTENTION

Pour réduire le risque de blessure par des pièces en mouvement - Débranchez l'appareil avant de l'entretenir.



AVERTISSEMENT

Pour réduire le risque de décharge électrique - Débranchez l'appareil avant de le nettoyer ou de l'entretenir.

VEUILLEZ CONSERVER LES PRÉSENTES CONSIGNES

Un bon montage et une utilisation en toute sécurité de votre nettoyeur de taches relèvent de votre responsabilité. Votre nettoyeur de taches est conçu pour un Usage Domestique. Lisez attentivement le présent guide d'utilisation et d'entretien pour connaître les consignes de sécurité et d'utilisation importantes qu'il contient. Le présent guide contient des consignes de sécurité sous des symboles d'avertissement et de mise en garde.

INSTRUCTIONS RELATIVES À LA DOUBLE ISOLATION

Ce Nettoyeur de taches est doublement isolé, ce qui élimine le besoin d'un système de mise à la terre séparé. N'utilisez que des pièces de rechange identiques. Lisez les instructions relatives à l'entretien du Nettoyeur de taches à double isolation avant de procéder à l'entretien. Utilisez ce Nettoyeur de taches comme décrit dans ce manuel.

Respectez les avertissements suivants qui figurent sur le boîtier du moteur du Nettoyeur de taches.



DOUBLE ISOLATION - MISE À LA TERRE NON REQUISE - LORS DE L'ENTRETIEN, N'UTILISEZ QUE DES PIÈCES DE RECHANGE IDENTIQUES.



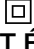
AVERTISSEMENT
POUR RÉDUIRE LE RISQUE DE DÉCHARGE ÉLECTRIQUE - N'EXPOSEZ PAS L'APPAREIL À LA PLUIE. RANGEZ-LE À L'INTÉRIEUR.



AVERTISSEMENT
POUR VOTRE PROPRE SÉCURITÉ, LISEZ ET COMPRENEZ LE MANUEL DE L'OPÉRATEUR. NE FAITES PAS FONCTIONNER L'APPAREIL SANS SURVEILLANCE. NE RAMASSEZ PAS DE CENDRES CHAUDES, DE CHARBONS, DE PRODUITS TOXIQUES, INFLAMMABLES OU D'AUTRES MATIÈRES DANGEREUSES. N'UTILISEZ PAS L'APPAREIL À PROXIMITÉ DE LIQUIDES OU DE VAPEURS EXPLOSIFS.



AVERTISSEMENT

LES ASPIRATEURS EAU ET POUSSIÈRES À DOUBLE ISOLATION SONT ÉQUIPÉS DE DEUX SYSTÈMES D'ISOLATION AU LIEU D'UNE MISE À LA TERRE. ILS N'INTÈGRENT PAS DE DISPOSITIF DE MISE À LA TERRE ET NE DOIVENT PAS ÊTRE ÉQUIPÉS D'UN TEL DISPOSITIF. L'ENTRETIEN D'UN NETTOYEUR DE TACHES À DOUBLE ISOLATION NÉCESSITE UNE ATTENTION ET UNE CONNAISSANCE EXTRÊMES DU SYSTÈME ET NE DOIT ÊTRE EFFECTUÉ QUE PAR UN PERSONNEL D'ENTRETIEN QUALIFIÉ. LES PIÈCES DE RECHANGE POUR UN NETTOYEUR DE TACHES À DOUBLE ISOLATION DOIVENT ÊTRE IDENTIQUES AUX PIÈCES QU'ELLES REMPLACENT. LE NETTOYEUR DE TACHES À DOUBLE ISOLATION PORTE LA MENTION « DOUBLE ISOLATION » ET LE SYMBOLE  (CARRÉ DANS UN CARRÉ) PEUT ÉGALEMENT ÊTRE APOSÉ SUR L'APPAREIL.

GARANTIE DU NETTOYEUR DE TACHES

GARANTIE LIMITÉE

PENDANT UN AN à compter de la date de vente (ou, pour les livraisons dans l'État de Californie, un an à compter de la date de livraison), ce produit est garanti contre tout défaut de matériau ou de fabrication.

MUNI D'UNE PREUVE DE VENTE, tout produit défectueux peut être retourné au revendeur aux fins de remplacement gratuit.

La marque Kenmore est utilisée sous licence. Adressez toutes les demandes de service sous garantie en composant le numéro : 1-877-531-7321 (États-Unis) / 1-844-608-3081 (Canada).

Sont exclus de la garantie les filtres ou les courroies, qui sont des pièces à usage unique susceptibles de s'user durant la période de garantie des suites d'un usage normal.

La présente garantie sera nulle et non avenue en cas d'utilisation éventuelle de ce produit à toutes autres fins que personnelles et privées. La présente garantie vous accorde des droits spécifiques légaux, mais vous pouvez également avoir d'autres droits qui varient selon les États.

Cleva North America, Inc., Greenville SC 29607

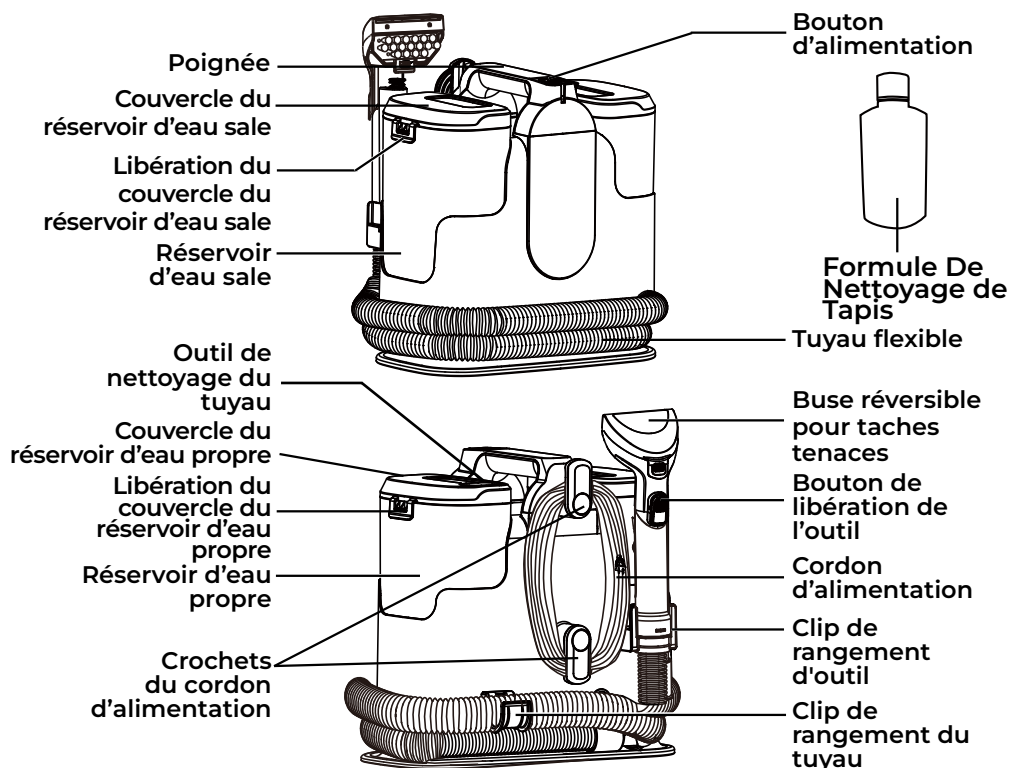
PIÈCES ET FONCTIONNALITÉS

Il est important de connaître les pièces ainsi que les fonctionnalités de votre nettoyeur de taches afin d'en assurer une utilisation correcte et en toute sécurité. Examinez-les avant d'utiliser votre nettoyeur de taches.

PIÈCES DE RECHANGE

Élément	Pièce N° (États-Unis)	Pièce N° (Canada)
Clip de rangement d'outil	671008101	671008101
Réservoir d'eau sale	671047101	671047101
Réservoir d'eau propre	671047102	671047102
Buse réversible pour taches tenaces	671047103	671047103
Outil de nettoyage du tuyau	671011109	671011109
Clip de rangement du tuyau	671008104	671008104

Pour passer commande d'une pièce de rechange, veuillez composer le numéro : 1-877-531-7321 (États-Unis) / 1-844-608-3081 (Canada).



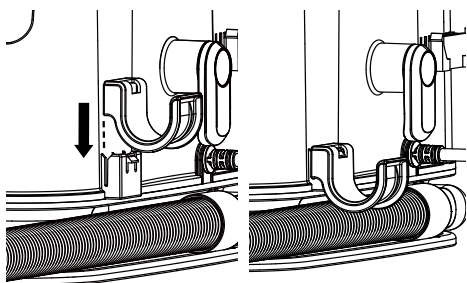


Veuillez porter une attention particulière à ces boîtes d'alerte et suivre les instructions données. Les **AVERTISSEMENTS** vous alertent sur les dangers tels que les risques d'incendie, d'électrocution, de brûlures et de blessures corporelles. Les **MISES EN GARDE** vous alertent sur des risques tels que blessures corporelles et/ou dommages matériels.

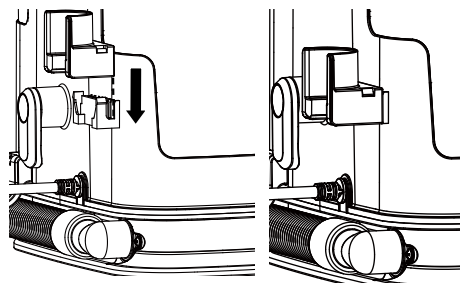
INSTRUCTIONS DE MONTAGE

Avant de monter le nettoyeur de taches, consultez la **LISTE DU CONTENU** (page 1). Utilisez ladite liste afin de vous assurer de la réception de tous les composants de votre nouvel nettoyeur de taches Kenmore.

1. Alignez le clip de rangement du tuyau avec la fente, comme indiqué. Faites glisser le clip de rangement du tuyau vers le bas jusqu'à ce qu'il soit fixé en place.

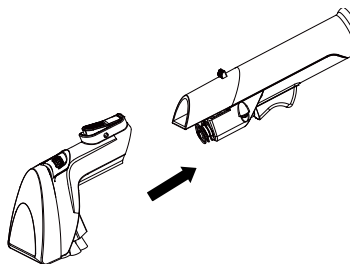


2. Alignez le clip de rangement d'outil avec la fente comme indiqué. Faites glisser le clip de rangement d'outil vers le bas jusqu'à ce qu'il soit fixé en place.



3. Faites glisser l'outil pour taches tenaces sur l'extrémité du tuyau d'aspiration jusqu'à ce qu'il s'enclenche.

Pour l'enlever : Appuyez sur le bouton de libération de l'outil et sortez l'outil pour taches tenaces.



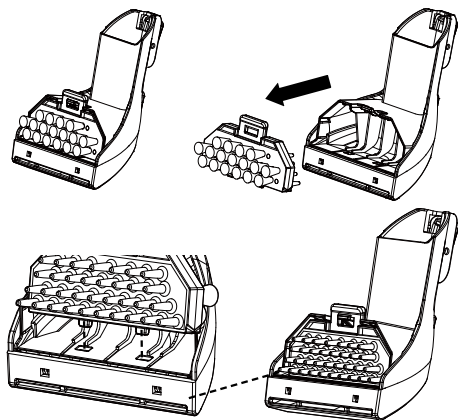
Buse réversible pour taches tenaces

Cet outil est conçu avec deux côtés, une brosse à poils et une brosse en caoutchouc.

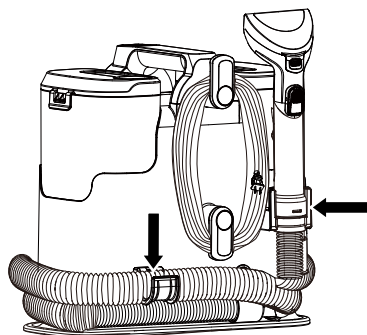
Utilisez le côté à poils pour frotter et éliminer les taches, la saleté ou les salissures causées par les animaux domestiques sur les tapis, les tissus d'ameublement et les surfaces en tissu. Utilisez le côté en caoutchouc pour enlever les poils et les débris incrustés du tapisserie, des lits pour animaux de compagnie et plus encore.

INSTRUCTIONS DE MONTAGE

Retournez l'outil selon vos besoins pour obtenir des résultats de nettoyage plus efficaces. Insérez d'abord les deux languettes dans les fentes et fixez la brosse en place.

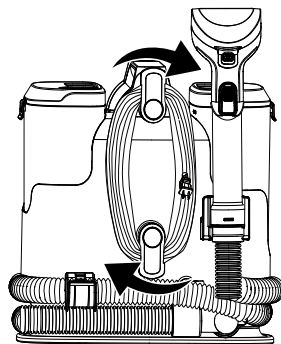


REMARQUE : Placez le tuyau flexible sur le clip de rangement du tuyau. Enclenchez l'extrémité du tuyau avec l'outil installé dans le clip de rangement d'outil lorsque vous ne l'utilisez pas.

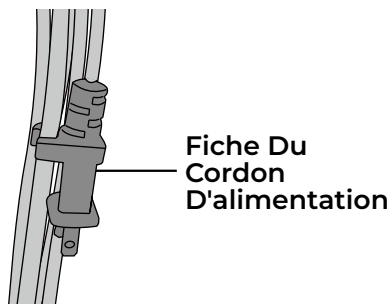


4. Assurez-vous que les deux crochets du cordon d'alimentation sont dans la bonne position, comme illustrée. Enroulez le cordon d'alimentation sans le serrer autour des crochets.

REMARQUE : Assurez-vous d'enrouler le cordon d'alimentation d'abord autour du crochet inférieur, puis autour du crochet supérieur afin d'éviter d'endommager le cordon d'alimentation.



5. Accrochez la fiche du cordon d'alimentation sur le cordon d'alimentation.



INSTRUCTIONS DE MONTAGE




AVERTISSEMENT

Risques D'Électrocution et De Blessures Corporelles

Le fait d'enrouler le cordon trop serré et de le soumettre à une tension excessive peut l'endommager. Un cordon endommagé présente un risque de décharge électrique et peut provoquer des blessures ou des dommages.

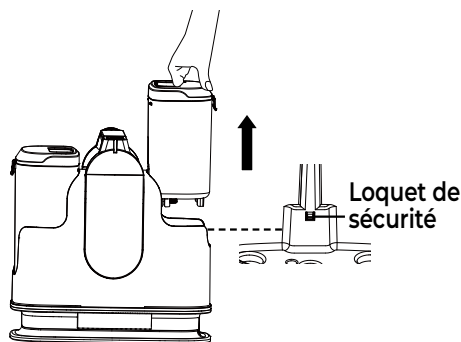
FICHE POLARISÉE

Pour réduire tous risques d'électrocution, cet appareil est équipé d'une fiche polarisée (une lame est plus large que l'autre). Il n'y a qu'une façon d'insérer la fiche dans une prise polarisée. Si la fiche ne s'insère pas entièrement dans la prise, inversez la fiche. Si elle ne s'insère toujours pas correctement, contactez un électricien qualifié afin qu'il installe une prise adaptée. Ne modifiez en aucun cas la fiche. La double isolation  élimine le besoin d'un cordon d'alimentation à trois fils avec mise à la terre et d'un système d'alimentation avec mise à la terre.

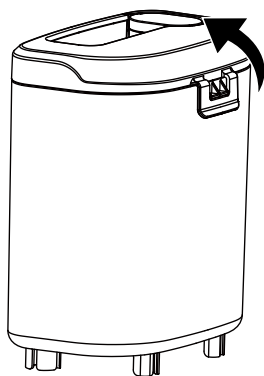
INSTRUCTIONS D'UTILISATION

REPLISSAGE DU RÉSERVOIR D'EAU PROPRE

1. Soulevez le réservoir d'eau propre sur le côté de l'appareil. Un loquet de sécurité est placé pour maintenir le réservoir d'eau propre en position afin d'éviter toute libération involontaire. Le loquet se déverrouille automatiquement lorsque le réservoir est tiré vers le haut.



2. Retirez le couvercle du réservoir d'eau propre en libérant le couvercle du réservoir d'eau propre.



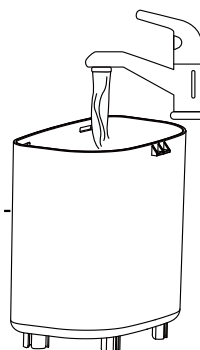
3. Remplissez le réservoir avec de l'eau tiède et la solution. Veillez à utiliser la bonne proportion d'eau et de solution de nettoyage pour en vous référant à l'étiquette de la solution.

PETITE SURFACE DE NETTOYAGE
- 0,8 l/0,2 gal liquide
GRANDE SURFACE DE NETTOYAGE- 1,6 l/0,4 gal liquide
Ne remplissez pas le réservoir d'eau propre au-delà de la ligne de remplissage maximale indiquée sur le réservoir d'eau propre.

LARGE CLEANING AREA
(1.6L/0.4G Liquid Max Fill)

————— (1.2L/0.3G Liquid) - - -

SMALL CLEANING AREA
(0.8L/0.2G Liquid)



ATTENTION

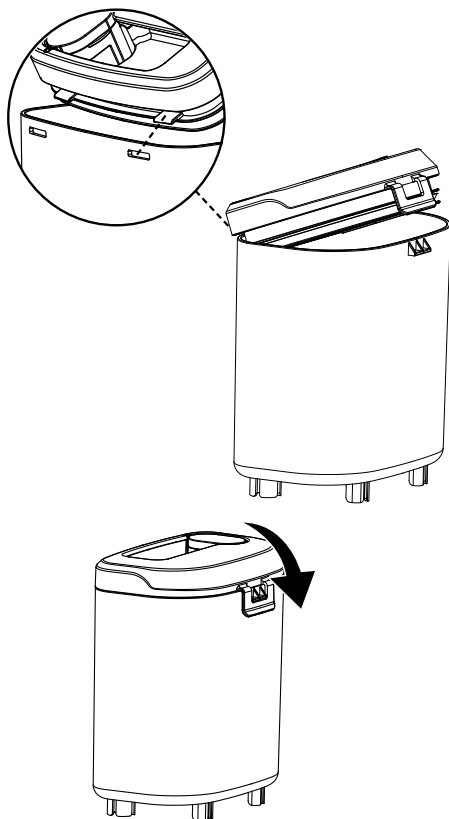
Ne remplissez pas le réservoir avec de l'eau à plus de 40 °C (104 °F).

REPLISSAGE DU RÉSERVOIR D'EAU PROPRE

REMARQUE : Une bouteille de 8 on (236 ml) de formule de nettoyage est livrée avec ce nettoyeur de taches. Assurez-vous que la formule de nettoyage et l'eau sont mélangées correctement. L'eau doit être à la température ambiante. Une fois l'échantillon initial épuisé, utilisez uniquement la solution nettoyante Kenmore KS1010 (disponible sur kenmorefloorcare.com). L'utilisation d'autres solutions peut provoquer un moussage excessif et annuler votre garantie.

REMARQUE : L'utilisation d'une quantité de formule de nettoyage supérieure à celle recommandée peut favoriser la formation excessive de mousse. **TENIR HORS DE PORTÉE DES ENFANTS.** En cas de contact avec les yeux, rincez abondamment à l'eau froide. Si l'irritation persiste, consultez un médecin.

4. Insérez d'abord les languettes de verrouillage dans les fentes du réservoir d'eau propre, puis remettez le couvercle du réservoir d'eau propre en place jusqu'à ce que vous entendiez un déclic.



5. Remettez le réservoir d'eau propre en place sur l'appareil. Le loquet de sécurité s'enclenche automatiquement lorsque le réservoir d'eau propre est en place. Un clic se fait entendre lorsque l'installation est correcte.

UTILISATION DU NETTOYEUR DE TACHES

IMPORTANT! Avant d'utiliser le Nettoyeur de taches, passez soigneusement l'aspirateur sur la zone à nettoyer. Testez toujours une petite zone cachée pour vérifier la solidité des couleurs et la déformation des poils.

Test de solidité des couleurs - Frottez doucement la surface avec un chiffon blanc humidifié contenant une solution de nettoyage. Attendez 10 minutes et vérifiez l'élimination de la couleur à l'aide d'une serviette en papier blanche. Si la couleur change, ne l'utilisez pas.

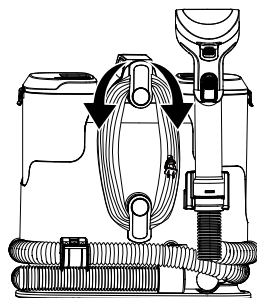
REMARQUE : Pour éviter les taches, utilisez du plastique, du papier ciré ou du papier d'aluminium pour protéger les surfaces en bois ou en métal des éventuelles projections d'eau. Pour protéger les planchers en bois sous les tapis, placez un matériau de protection (par exemple du plastique) sous ces derniers avant de les nettoyer.

REMARQUE : Consultez et suivez toujours les instructions d'entretien du fabricant avant d'utiliser la solution de nettoyage et le Nettoyeur de taches.

1. Déroulez le tuyau de l'appareil. Assurez-vous que la buse pour taches tenaces est bien fixée.

REMARQUE : La buse pour taches tenaces peut être utilisée pour nettoyer les taches sur les tapis, les meubles et d'autres surfaces difficiles à atteindre.

2. Tournez les crochets du cordon d'alimentation vers l'intérieur de chaque côté pour libérer le cordon d'alimentation.



3. Libérez la fiche du cordon d'alimentation. Branchez la fiche du cordon d'alimentation à une prise de courant située près du plancher.

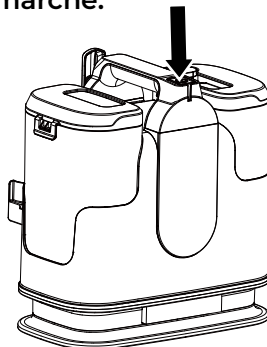
AVERTISSEMENT

Risques de blessures corporelles et de dommages matériels

• En cas d'anomalie/de panne, cessez immédiatement d'utiliser le produit, puis débranchez la fiche d'alimentation.

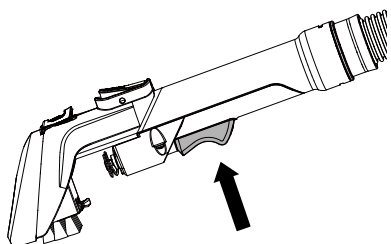
• **NE PAS nettoyer au-dessus des prises électriques au sol.** L'eau s'égouttera de l'outil après utilisation et risque de former des flaques.

4. Appuyez sur le bouton d'alimentation pour mettre le Nettoyeur de taches en marche.

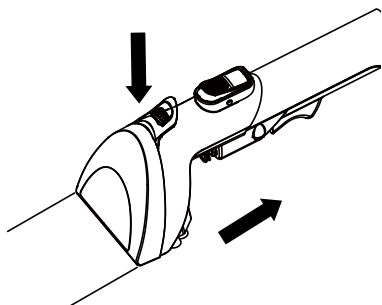


UTILISATION DU NETTOYEUR DE TACHES

5. Tenez l'outil à environ 2,5 cm au-dessus de la tache à nettoyer. Appuyez sur la gâchette de pulvérisation pour vaporiser une quantité généreuse de solution nettoyante sur la zone souillée. Utilisez la brosse de l'outil pour frotter les taches dans un mouvement de va-et-vient.



6. Pour décoller la tache, exercez une pression vers le bas sur l'avant de l'outil de nettoyage et tirez lentement l'outil vers l'arrière pour aspirer l'excès de liquide sale. Répétez au besoin.



7. Videz le réservoir d'eau sale lorsque le liquide sale atteint la ligne « Max Fill » et qu'il y a une perte d'aspiration. Voir les instructions dans la section Vidange du réservoir d'eau sale (page 15-16).
8. Une fois le nettoyage terminé, appuyez sur le bouton d'alimentation; débranchez la fiche du cordon d'alimentation de la prise de courant.
9. Tournez les crochets du cordon d'alimentation dans la bonne position et enroulez le cordon sans le serrer autour des crochets.

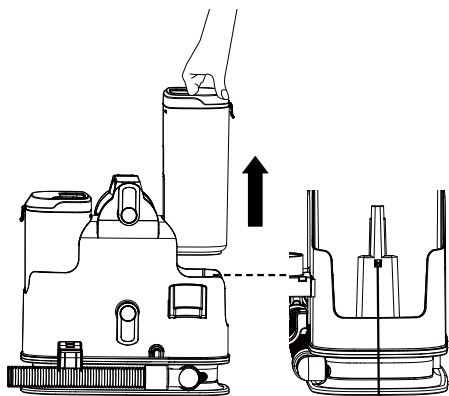
VIDANGE DU RÉSERVOIR D'EAU SALE

AVERTISSEMENT

Débranchez toujours le cordon d'alimentation de la prise électrique avant d'effectuer tous travaux d'entretien ou de réparation sur le Nettoyeur de taches.

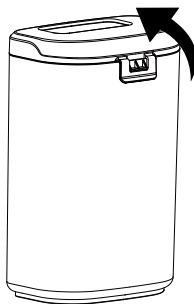
Videz le réservoir d'eau sale lorsque le liquide sale atteint la ligne « Max Fill » et qu'il y a une perte d'aspiration. Lors d'une utilisation normale, des débris peuvent s'accumuler dans le réservoir d'eau sale. Pour que le Nettoyeur de taches fonctionne correctement, rincez le réservoir d'eau sale avec de l'eau propre après chaque utilisation.

1. Soulevez le réservoir d'eau sale sur le côté de l'appareil. Un loquet de sécurité est placé pour maintenir le réservoir d'eau propre en position afin d'éviter toute libération involontaire. Le loquet se déverrouille automatiquement lorsque le réservoir est tiré vers le haut.

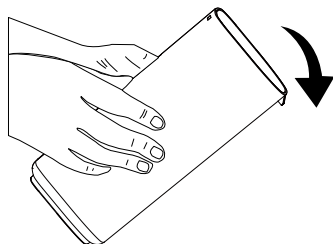


Loquet de sécurité

2. Retirez le couvercle du réservoir d'eau sale en libérant le couvercle du réservoir d'eau sale.

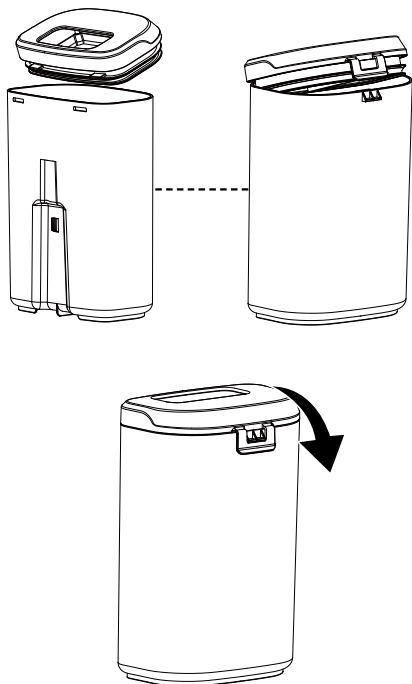


3. Videz le réservoir dans un évier ou une toilette. Rincez soigneusement le réservoir à l'eau claire. Si vous continuez à utiliser l'appareil après avoir vidé le réservoir d'eau sale, veillez à sécher l'extérieur du réservoir avant de le réinstaller.

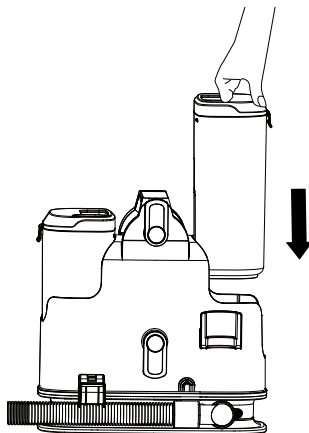


VIDANGE DU RÉSERVOIR D'EAU SALE

4. Insérez d'abord les languettes de verrouillage dans les fentes du réservoir d'eau sale, puis remettez le couvercle du réservoir d'eau sale en place jusqu'à ce que vous entendiez un déclic.



5. Remettez le réservoir d'eau sale en place sur l'appareil. Le loquet de sécurité s'enclenche automatiquement lorsque le réservoir d'eau sale est en place. Un clic se fait entendre lorsque l'installation est correcte.



AVERTISSEMENT

Le bruit du moteur devient plus aigu lorsque le réservoir d'eau sale est plein ou obstrué. Arrêtez immédiatement le Nettoyeur de taches et videz le réservoir d'eau sale.

ENTRETIEN ET SOIN

Respectez toujours toutes les mesures de sécurité lorsque vous effectuez l'entretien de le Nettoyeur de taches.



AVERTISSEMENT

Risques D'Électrocution et De Blessures Corporelles

Coupez l'alimentation électrique avant de procéder à l'entretien, à la réparation ou au nettoyage de le nettoyeur de taches. Le non-respect de cette consigne pourrait entraîner un risque d'électrocution ou des blessures corporelles causées par le démarrage subit de le nettoyeur de taches.

NETTOYAGE DE L'EXTÉRIEUR ET DES ACCESSOIRES

1. Éteignez et débranchez le Nettoyeur de taches. **NE FAITES PAS couler d'eau sur le Nettoyeur de taches.**
2. Pour nettoyer l'extérieur ou pour réduire l'électricité statique et l'accumulation de poussière, essuyez la

surface extérieure à l'aide d'un chiffon propre et doux qui a été plongé dans une solution de détergent liquide doux et d'eau, puis essoré. Bien essuyer après nettoyage.

RANGEMENT DU NETTOYEUR DE TACHES



AVERTISSEMENT
Risques D'Électrocution et De Blessures Corporelles

L'enroulement trop serré du cordon soumis à un stress excessif risque d'endommager celui-ci. Un cordon endommagé présente des risques d'électrocution et peut entraîner des blessures corporelles ou des dommages.

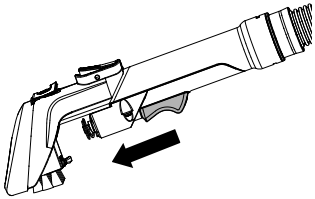
1. Remettez le tuyau d'aspiration et les accessoires en position de rangement.
2. Enroulez le cordon d'alimentation sans le serrer autour des crochets. Fixez le clip de maintien de la fiche sur le cordon d'alimentation.

3. Videz le réservoir d'eau propre (si nécessaire). Rincez-le avant de le remettre en place sur l'appareil. Ouvrez le bouchon du réservoir d'eau propre pour le laisser sécher à l'air.
4. Videz le réservoir d'eau sale, puis rincez, nettoyez et séchez-le avant de remettre l'appareil en place.
5. Rangez le Nettoyeur de taches dans un endroit sec et frais à l'intérieur.

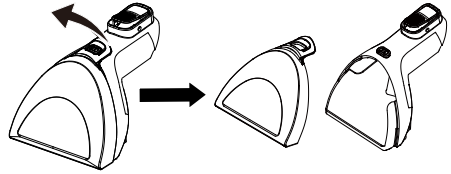
NETTOYAGE DE LA BUSE POUR TACHES TENACES

Il est recommandé de nettoyer la buse anti-taches avec de l'eau après chaque utilisation.

1. Appuyez sur le bouton de dégagement de l'outil pour retirer l'accessoire du tuyau.



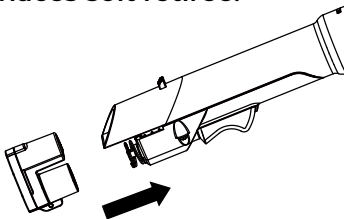
2. Tirez sur la languette d'ouverture du couvercle située sur la buse pour retirer le couvercle.



3. Rincez soigneusement à l'eau claire. Laissez les pièces sécher avant de les réinstaller.
4. Réinstallez le couvercle de la buse et remettez-le en place jusqu'à ce que vous entendiez un déclic.

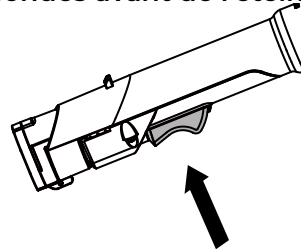
OUTIL DE NETTOYAGE DU TUYAU

1. Retirez le réservoir d'eau propre et remplissez-le d'eau chaude.
2. Fixez l'outil de nettoyage au tuyau d'aspiration. Veillez à ce que la buse pour taches tenaces soit retirée.



3. Assurez-vous que les réservoirs d'eau propre et d'eau sale sont bien fixés sur l'appareil.
4. Appuyez sur le bouton d'alimentation pour mettre le Nettoyeur de taches en marche et maintenez la gâchette de pulvérisation enfoncée pendant 30 secondes. L'eau

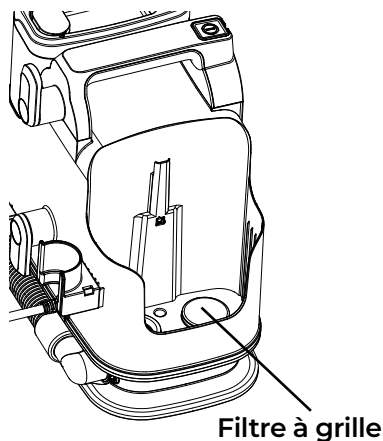
propre s'engouffre dans le tuyau d'aspiration, nettoyant et éliminant efficacement la saleté et les débris piégés dans le tuyau qui peuvent s'accumuler au fil du temps. Répétez l'opération si nécessaire. Laissez l'appareil fonctionner pendant 5 à 10 secondes avant de l'éteindre.



5. Éteignez et débranchez le Nettoyeur de taches.

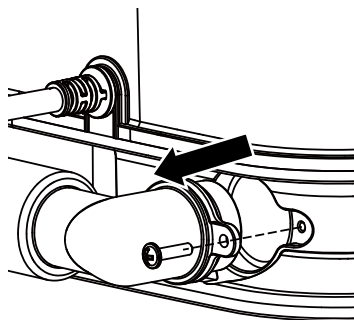
NETTOYAGE DU FILTRE À GRILLE

1. Saisissez fermement la poignée du réservoir d'eau sale et retirez délicatement le réservoir du corps principal.
2. Une fois le réservoir retiré, vous verrez la grille du filtre.
3. À l'aide d'une brosse douce ou d'un chiffon (ou d'un petit accessoire d'aspirateur), retirez délicatement toute saleté, cheveux ou gros débris accumulés sur la grille du filtre.
4. Assurez-vous que la grille est propre avant de remettre le réservoir d'eau sale en place jusqu'à ce qu'il s'enclenche correctement.



ÉLIMINATION DE L'OBSTRUCTION DU TUYAU

1. Utilisez un tournevis Philips pour dévisser le tuyau et le retirer du nettoyeur d'appoint. Ne tirez pas excessivement sur le tuyau.



2. Vérifiez et éliminez les éventuels bouchons.
3. Assurez-vous que la bague d'étanchéité est correctement positionnée sur le tuyau. Remettez le tuyau en place sur le nettoyeur de points et serrez la vis.

REMARQUE : N'utilisez pas de ciseaux ou d'autres objets pointus pour éliminer les obstructions du tuyau, car ils risquent de l'endommager.

DÉPANNAGE

Consultez ce tableau pour trouver des solutions pratiques en cas de problèmes de performance mineurs. Tous travaux d'entretien ou de réparation nécessaires, autre que l'entretien décrit dans le présent Guide D'Utilisation Et D'Entretien, doit être effectué par un agent du service de réparation qui en possède les qualifications.



AVERTISSEMENT

Coupez l'alimentation électrique avant d'effectuer l'entretien de le Nettoyeur de taches. Le non-respect de cette disposition vous expose à des risques d'électrocution ou à des blessures corporelles.

PROBLÈME	CAUSE POSSIBLE	SOLUTION
Le Nettoyeur de taches ne fonctionne pas.	La prise de courant est débranchée.	Branchez fermement l'appareil sur une prise de courant appropriée.
	Prise de courant défectueuse.	Vérifier l'état de la prise murale avec un appareil ou une lampe en bon état. Assurez-vous que la fiche du cordon d'alimentation est bien branchée dans une prise électrique.
	Le moteur est endommagé.	Veillez composer le numéro : 1-877-531-7321 (États-Unis) / 1-844-608-3081 (Canada) pour obtenir de l'aide.
Mauvaise récupération des saletés.	Le réservoir d'eau sale n'est pas bien installé.	Vérifiez que le réservoir d'eau sale est correctement installé. Assurez-vous qu'il est installé en place.
	Le réservoir d'eau sale est plein.	Videz le réservoir d'eau sale.
	Le tuyau d'aspiration est obstrué.	Nettoyez le tuyau. Voir page 19.
	La vanne à flotteur est activée.	Videz le réservoir d'eau sale.
De l'eau s'échappe du Nettoyeur de taches.	Le réservoir d'eau sale est plein.	Videz le réservoir d'eau sale.
	Le réservoir d'eau sale n'est pas bien installé.	Vérifiez que le réservoir d'eau sale est correctement installé. Assurez-vous qu'il est installé en place.
	Le réservoir d'eau propre n'est pas bien installé.	Vérifiez que le réservoir d'eau propre est correctement installé. Assurez-vous qu'il est installé en place.
Réduction ou absence de pulvérisation par la buse du nettoyeur.	Le réservoir d'eau propre est vide.	Remplissez le réservoir d'eau propre.
	Le réservoir d'eau propre n'est pas bien installé.	Vérifiez que le réservoir d'eau propre est correctement installé. Assurez-vous qu'il est installé en place.

DÉPANNAGE

<p>La buse du tuyau ne pulvérise pas après avoir rempli le réservoir d'eau propre.</p>	<p>De l'air est emprisonné dans la pompe et le tuyau.</p>	<p>Mettez le Nettoyeur de taches en marche. Si le tuyau ne pulvérise pas, amorcez la pompe en abaissant le tuyau jusqu'au plancher et maintenez la gâchette enfoncée pendant une minute.</p>
<p>Le bruit du moteur devient aigu.</p>	<p>Le réservoir d'eau sale est plein.</p>	<p>Videz le réservoir d'eau sale.</p>
	<p>Le tuyau d'aspiration est obstrué.</p>	<p>Nettoyez le tuyau. Voir page 19.</p>
	<p>Le flotteur du réservoir d'eau sale a été activé.</p>	<p>Videz et nettoyez le réservoir d'eau sale.</p>

Kenmore^{®/MD}

**Vacuum Cleaner Help Line
Aspiradoras Línea de Ayuda
Assistance téléphonique
pour les aspirateurs**

US: 1-877-531-7321

CA: 1-844-608-3081

8:00 am - 5:00 pm ET M-F

De 8 AM a 5 PM, de lunes a Viernes

De 8 h à 17 h HE lun à ven



Kenmore and the Kenmore logo are registered trademarks of Transform SR Brands LLC and are used under license by Cleva North America, Inc., Greenville, SC 29607

Kenmore y el logotipo de Kenmore son marcas registradas de Transform SR Brands LLC y se utilizan bajo licencia por Cleva North America, Inc., Greenville, SC 29607

Kenmore et le logo Kenmore sont des marques déposées de Transform SR Brands LLC et sont utilisés sous licence par Cleva North America, Inc., Greenville, SC 29607