

Use & Care Guide
Manual de Uso y Cuidado
Manuel d'entretien et d'utilisation

Kenmore Elite^{®/MD}

 AllergenSeal[™]

LITENING[™]

Cordless Upright Vacuum with Hair
Eliminator[®] Brushroll

Aspiradora vertical inalámbrico con
cepillo giratorio Hair Eliminator[®]

Aspirateur-balai sans fil avec
rouleau brosse Hair Eliminator[®]

Model/Modelo/Modèle: CU7005

Vacuum Cleaner Help Line:
1-877-531-7321 (US) / 1-844-608-3081 (CA)
8:00am-5:00pm EST, M-F

www.kenmorefloorcare.com



TABLE OF CONTENTS

Before Using Your New Vacuum Cleaner.....	2
Packing List	2
Important Safety Instructions	3-6
Vacuum Cleaner Warranty	7
Parts and Features.....	8-11
Assembly Instructions	12-14
Operating Instructions.....	15-21
Performance/Safety Features	21-22
Vacuum Maintenance and Care	23-30
Troubleshooting.....	31-33
Requesting Assistance Or Service	Back Cover

BEFORE USING YOUR NEW VACUUM CLEANER

Read this Use & Care Guide. It will help you assemble and operate your new Kenmore vacuum cleaner in the safest and most effective way.

For more information about vacuum cleaner care and operation, call the Vacuum Cleaner Help Line at 1-877-531-7321 (US) / 1-844-608-3081 (CA). You will need the complete model and serial numbers when requesting information.

Your vacuum cleaner's model and serial numbers are located on the Model and Serial Number Plate. Use the space below to record the model number and serial number of your new Kenmore vacuum cleaner.

Model No. _____

Serial No. _____

Date of Purchase _____

Keep this book and your sales check (receipt) in a safe place for future reference.

PACKING LIST

Your KENMORE CORDLESS UPRIGHT VACUUM CLEANER is packaged with the following parts and components included separately in the carton:

1 Cordless Upright Vacuum (with Motorized Nozzle)	1 Rotating Fan Tool
1 Handle	2 Battery Packs
1 Flexible Hose	1 Charging Base
1 3-in-1 Combination Tool	1 Charging Adapter
	1 Use & Care Guide

IMPORTANT SAFETY INSTRUCTIONS

READ ALL INSTRUCTIONS IN THIS GUIDE BEFORE ASSEMBLING OR USING YOUR VACUUM CLEANER.

WARNING!

Your safety is important to us. When using an electrical product, basic precautions should always be followed to avoid electric shock, fire, and/or serious injury, including the following:

- Use your vacuum cleaner only as described in this Use & Care Guide. Use only with manufacturer's recommended attachments.
- Fully assemble or install the vacuum prior to use.
- Do not use or charge outdoors or on wet surfaces.
- Do not allow to be used as a toy. Close attention is necessary when used by or near children. Not intended for use by children age 12 and under. To avoid injury or damage, keep children away from product, and do not allow children to place fingers or other objects into any openings.
- Do not handle the battery pack and charger, including charger plug, and charger terminals with wet hands.
- Do not use charger with a damaged cord or plug. If the vacuum cleaner, charger or battery pack is not working as it should, has been dropped, damaged, left outdoors, or dropped in water, immediately discontinue use and call 1-877-531-7321 (US) / 1-844-608-3081 (CA) for assistance.
- Do not pull or carry charger by cord, use cord as a handle, close a door on cord, or pull cord around sharp edges or corners. Do not run vacuum cleaner over cord. Keep cord away from heated surfaces.
- Do not unplug charger by pulling on cord. To unplug charger, grasp the plug, not the cord.
- Do not put any objects into openings. Do not use with any opening blocked; keep free of dust, lint, hair, and anything that may reduce air flow.
- Keep hair, loose clothing, fingers, and all parts of body away from openings and moving parts.
- Use extra care when cleaning on stairs.
- Do not put on chairs, tables, etc. Keep the vacuum on the floor.
- Do not use to pick up flammable or combustible liquids, such as gasoline, or use in areas where they may be present.
- Do not pick up anything that is burning or smoking, such as cigarettes, matches, or hot ashes.
- Do not use vacuum cleaner without dust cup and/or filters in place.

IMPORTANT SAFETY INSTRUCTIONS

- Do not charge the vacuum cleaner and/or the battery pack outdoors.
- Put the vacuum cleaner away after use to prevent tripping accidents.
- Prevent unintentional starting. Ensure the switch is in the off-position before picking up or carrying the appliance.
- Do not attempt to charge the appliance with the switch in the on position.
- Disconnect the battery pack before making any adjustments, changing accessories or storing product. Such preventative measures reduce the risk of starting the product accidentally.
- Recharge only with the charger specified by the manufacturer. A charger that is suitable for one type of battery pack may create a risk of fire when used with another battery pack.
- For use only with XIAMEN XDROID XZ2700-1000G1 charger.
- Use appliances only with specifically designated battery packs. Use of any other battery packs may create a risk of injury and fire.
- For use only with LB1024 battery pack.
- When battery pack is not in use, keep it away from other metal objects, like paper clips, coins, keys, nails, screws or other small metal objects, that can make a connection from one terminal to another. Shorting the battery terminals together may cause burns or a fire.
- Under abusive conditions, liquid may be ejected from the battery; avoid contact. If contact accidentally occurs, flush affected area with water. If liquid contacts eyes, seek medical help.
- Liquid ejected from the battery may cause irritation or burns.
- Do not use a battery pack or appliance that is damaged or modified. Damaged or modified batteries may exhibit unpredictable behavior resulting in fire, explosion or risk of injury.
- Do not immerse the vacuum cleaner, charging adapter or battery packs in water or other liquids.
- Always turn the vacuum off before connecting or disconnecting the main body to or from the vacuum.
- Always clean the dust cup after vacuuming carpet cleaners or freshener, powders, and fine dust. These products clog the filters, reduce airflow and can cause damage to the vacuum cleaner. Failure to clean the dust cup could cause permanent damage to the vacuum cleaner.
- Store the cordless vacuum indoors. Put the vacuum away after use to prevent accidents.
- Keep the vacuum moving over the carpet surface at all times to avoid damaging the carpet fibers.

IMPORTANT SAFETY INSTRUCTIONS

- Do not use in an enclosed space where vapors are present from paint, paint thinner, moth-proofing substances, flammable dust or other explosive or toxic materials.
- Do not pick up hard or sharp objects such as glass, nails, screws or coins that could damage the vacuum cleaner.
- To avoid excessive heat and damage to unit or batteries, do not operate the vacuum while charging.
- Do not expose a battery pack or appliance to fire or excessive temperature. Exposure to fire or temperature above 130°C (265°F) may cause explosion.
- Follow all charging instructions and do not charge the battery pack or appliance outside of the temperature range specified in the instructions. Charging improperly or at temperatures outside of the specified range may damage the battery and increase the risk of fire.
- While there is no shock hazard from electrical terminals located on the vacuum, a burn could result from metal objects being inserted into the terminal areas. Vacuum cleaner terminals should always be kept free of objects.
- Store charger indoors in a cool, dry area, not exposed to weather to avoid electrical shock and/or damage to the vacuum cleaner.
- Changes or modifications to this unit not expressly approved by the party responsible for compliance could void the user's authority to operate the equipment.
- You are responsible for making sure that your vacuum cleaner is not used by anyone unable to operate it properly.
- Have servicing performed by a qualified repair person using only identical replacement parts. This will ensure that the safety of the product is maintained.
- Do not modify or attempt to repair the appliance or the battery pack (as applicable) except as indicated in the instructions for use and care.
- This appliance is designed for household use only!



WARNING

To reduce the risk of electric shock - Do not use outdoors or on wet surfaces.

Product Disposal

This product contains a Lithium-ion battery pack formulated from environmentally sensitive materials. This product must be disposed of properly with due care for the environment. Do not dispose of product with household garbage. Consult your local waste authority for information regarding available recycling or disposal options.

IMPORTANT SAFETY INSTRUCTIONS



RECYCLE OR DISPOSE OF
IN ACCORDANCE WITH
FEDERAL AND LOCAL
REGULATIONS.



WARNING

Any changes or modifications to this unit not expressly approved by the party responsible for compliance could void the user's authority to operate the equipment.

NOTE: This equipment has been tested and found to comply with the limits for a Class B digital device, pursuant to part 15 of the FCC Rules. These limits are designed to provide reasonable protection against harmful interference in a residential installation. This equipment generates, uses and can radiate radio frequency energy and, if not installed and used in accordance with the instructions, may cause harmful interference to radio communications. However, there

is no guarantee that interference will not occur in a particular installation. If this equipment does cause harmful interference to radio or television reception, which can be determined by turning the equipment off and on, the user is encouraged to try to correct the interference by one or more of the following measures:

- Reorient or relocate the receiving antenna.
- Increase the separation between the equipment and receiver.
- Connect the equipment into an outlet on a circuit different from that to which the receiver is connected.
- Consult the dealer or an experienced radio / TV technician for help.

SAVE THESE INSTRUCTIONS

Proper assembly and safe use of your vacuum cleaner are your responsibilities. Your vacuum cleaner is intended for **Household Use**. Read this Use & Care Guide carefully for important use and safety information. This guide contains safety statements under warning and caution symbols.

AllergenSeal™ system lets you know that this vacuum traps **99.97%** of dust and particles down to **0.3 microns** inside your vacuum, keeping them out of the air you breathe.

VACUUM CLEANER WARRANTY

LIMITED WARRANTY

FOR ONE YEAR from the date of sale (or, for deliveries in the State of California, one year from the date of delivery), this product is warranted against defects in material or workmanship.

WITH PROOF OF SALE a defective product will be replaced free of charge.

The Kenmore brand is used under license. Direct all claims for warranty service to: 1-877-531-7321 (US) / 1-844-608-3081 (CA).

This warranty does not cover filters or belts, which are expendable parts that can wear out from normal use within the warranty period.

This warranty is void if this product is ever used for other than private household purposes. This warranty gives you specific legal rights, and you may also have other rights which vary from state to state.

Cleva North America, Inc., Greenville SC 29607

PARTS AND FEATURES

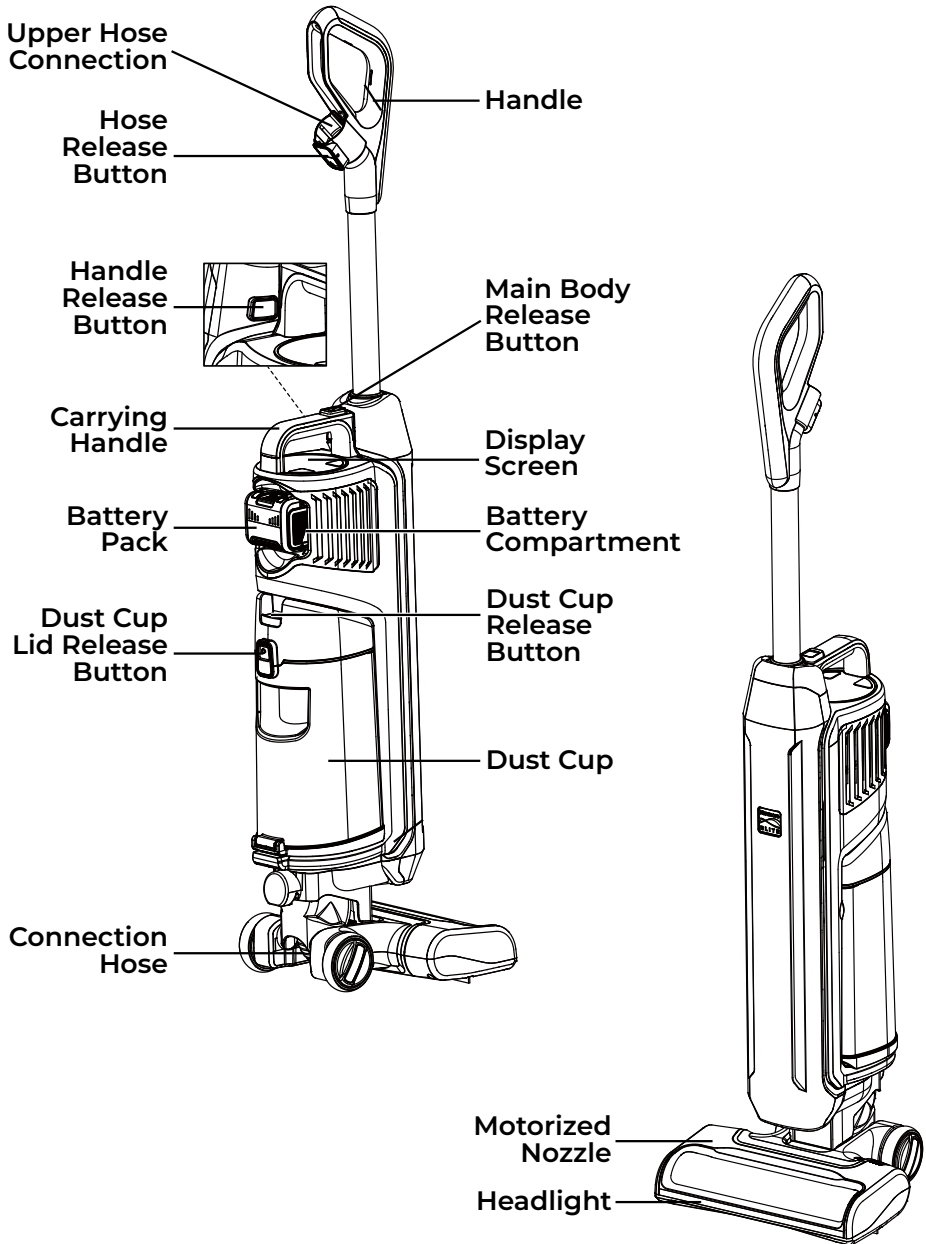
It is important to know your vacuum cleaner's parts and features to ensure its proper and safe use. Review these before using your vacuum cleaner.

REPLACEMENT PARTS

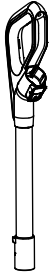
Item	Part No.(US)	Part No.(CA)
Foam Filter	561116101	561116101
Felt Filter	561116102	561116102
HEPA Media Exhaust Filter	561116103	561116103
Handle	561116104	561116104
Flexible Hose	561116105	561116105
3-in-1 Combination Tool	561116106	561116106
Rotating Fan Tool	561060176	561060176
Battery Pack	561116109	561116109
Charging Base	561116110	561116110
Charging Adapter	561116111	561116111

To order a replacement part, call
1-877-531-7321 (US) /
1-844-608-3081 (CA).

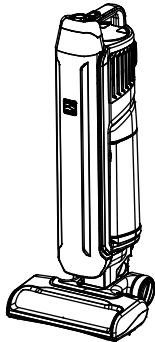
PARTS AND FEATURES



PARTS AND FEATURES



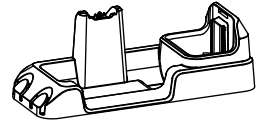
Handle



Main Body



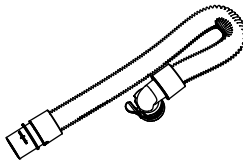
Battery Pack (X2)



Charging Base



Charging Adapter



Flexible Hose (Stored inside the Main Body)

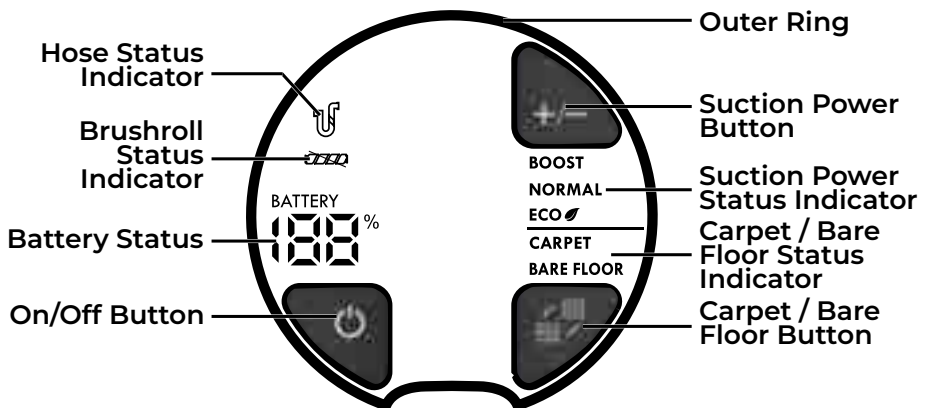


3-in-1 Combination Tool (Stored inside the Main Body)



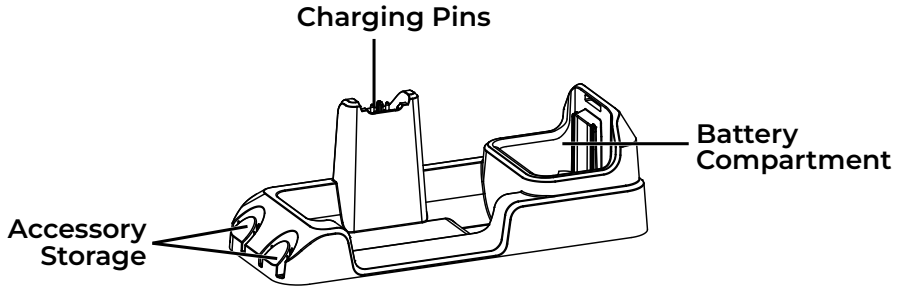
Rotating Fan Tool

DISPLAY SCREEN



PARTS AND FEATURES

CHARGING BASE



ASSEMBLY INSTRUCTIONS

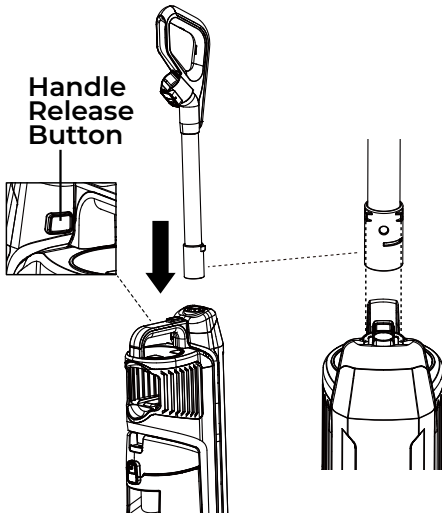


Please pay special attention to these hazard alert boxes, and follow any instructions given. **WARNING** statements alert you to such hazards as fire, electric shock, burns and personal injury. **CAUTION** statements alert you to such hazards as personal injury and/or property damage.

Before assembling the vacuum cleaner, check the **PACKING LIST** (Page 2). Use this list to verify that you have received all the components of your new Kenmore Cordless Upright Vacuum Cleaner.

1. Insert the handle into the main body until you hear a 'click'.

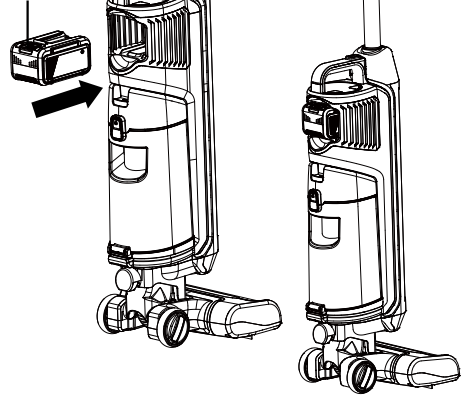
To remove: Press handle release button and pull up on handle.



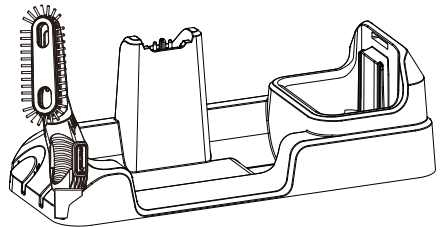
2. Insert the battery pack into the battery compartment until you hear a 'click'. Make sure the battery pack firmly snaps into place.

To remove: Press battery release button on the battery pack, grasp the battery pack firmly and pull it out of battery compartment.

Battery Release Button



3. The rotating fan tool can be stored in the charging base. Insert the rotating fan tool onto the accessory storage slots on the charging base.



CHARGING

NOTE: Please fully charge before first use.

The battery pack can be charged through the charging base or charging adapter.

The vacuum cleaner can be charged directly, with the battery pack installed, through the charging base.

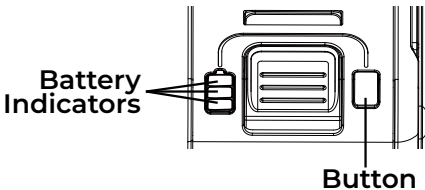


WARNING

Use only with the charger recommended by the manufacturer.

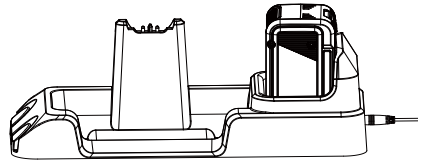
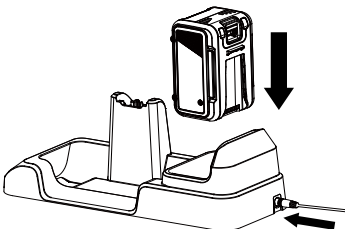
BATTERY INDICATORS

There are 3 indicator LEDs on the battery. Press the button, the LEDs will show you the charge levels.

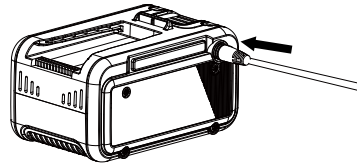


CHARGING THE BATTERY PACK

1. Insert the charging adapter into the charging port on the side of the charging base. Slide the battery pack into the battery compartment until you hear a 'click'.



2. Optional: battery pack can be charged directly through the charging adapter. Insert the charging adapter into the charging port on the battery pack.



3. Plug the charging adapter into a wall outlet.

4. The battery pack will begin to charge. The battery indicator LEDs on the battery pack will flash continuously.

5. When the battery is fully charged, all three indicator LEDs light up continuously, and will turn off after 10 minutes.

6. Once the charging is completed, remove the battery from the charging adapter. Unplug the adapter from the outlet.

CHARGING THE VACUUM CLEANER

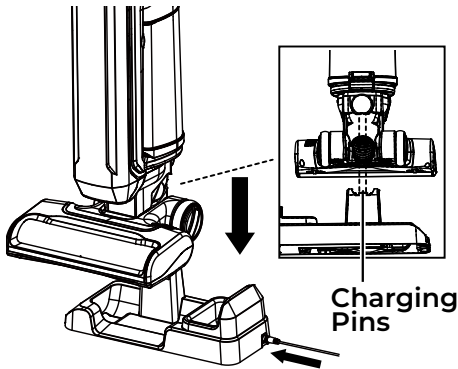


WARNING

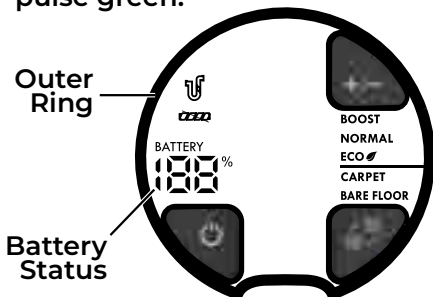
Before placing onto the charging base for charging, make sure the vacuum cleaner is turned off.

CHARGING

1. Insert the charging adapter into the charging port on the side of the charging base.
2. Ensure that the battery pack is correctly inserted into the battery compartment on the vacuum.
3. Place the vacuum cleaner onto the charging base. Ensure that the charging pins on the charging base are correctly connected with the vacuum.



4. Plug the charging adapter into a wall outlet.
5. The vacuum cleaner will begin to charge. The battery status on the display screen will light up to indicate the battery power and the outer ring will pulse green.



6. When the vacuum is fully charged, the battery status will indicate 100%. The outer ring will show a continuous blue light. The display screen will turn off after 3 minutes.

NOTE: Make sure the vacuum cleaner is fully charged before using for the first time. It may take up to 4-5 hours to charge completely if fully discharged.

NOTE: A back up battery pack can be inserted into the battery compartment on the charging base. The charging base will prioritize the vacuum first. After the vacuum cleaner is fully charged, the charging base will then begin to charge the back up battery pack. It is not required to remove the vacuum from the charging base.

NOTE: If the battery status and the outer ring on the display screen do not light up when charging, ensure that:

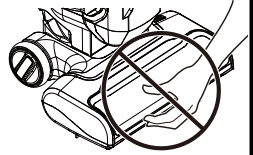
- The charging adapter is plugged into the power supply properly.
- The electrical supply at the outlet is powered on.
- The charging adapter is fully inserted into the charging port.

NOTE: Never charge the vacuum cleaner in temperatures above 104°F (40°C) or below 39.2°F (4°C). It is normal for the charger to become warm when charging.

OPERATING INSTRUCTIONS

CAUTION

Moving parts! To reduce the risk of personal injury, DO NOT touch the brushroll when vacuum is on. Contacting the brushroll while it is rotating can cut, bruise or cause other injuries. Disconnect electrical supply before servicing or cleaning the vacuum cleaner. Use caution when operating near children or pets.



USING YOUR CORDLESS UPRIGHT VACUUM

WARNING

When any abnormality/failure occurs, stop using the product immediately and disconnect the battery pack.

CAUTION

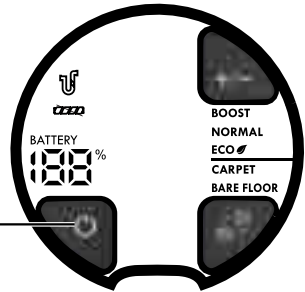
- Use extra care when cleaning on stairs. To avoid personal injury or damage, and to prevent the vacuum cleaner from falling, always place the vacuum at bottom of stairs or on floor. Do not place on stairs or furniture, as it may result in injury or damage.

- Do not use for grooming a pet.

NOTE: Make sure the vacuum cleaner is completely assembled and dust cup is empty before using. Do not operate vacuum cleaner without filters in place.

Make sure the battery pack is fully charged and firmly installed into place.

1. Press the On/Off button. The display screen will illuminate when ON.



2. The vacuum starts in BARE FLOOR mode with NORMAL suction power by default for first use.
3. Release the handle by placing a foot on the nozzle and pulling back to change handle position.



USING YOUR CORDLESS UPRIGHT VACUUM

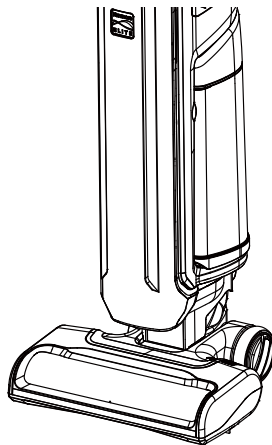
4. Operate the vacuum cleaner by tilting the handle back towards you and with the nozzle flush with the floor surface.
5. To change mode, press carpet / bare floor button. CARPET or BARE FLOOR will illuminate to indicate the mode:
 - CARPET mode: for deep cleaning on carpets with high suction. The brushroll rotates when the vacuum cleaner is in the CARPET mode.
 - BARE FLOOR mode: for all floor types and preserves runtime. The brushroll rotates slowly when the vacuum cleaner is in the BARE FLOOR mode.
6. To change suction power, press suction power button. ECO, NORMAL or BOOST will illuminate to indicate the suction power.

NOTE: This vacuum cleaner is able to remember its previous operation mode and suction power. When the vacuum is turned on again, it will start in the previous operation mode and suction power.

7. When vacuuming, the battery status indicates the battery level. When the battery status is lower than 10% and the outer ring flashes red, it is suggested to recharge the vacuum cleaner. See charging instructions in **CHARGING** (page 14).
8. Once you have completed vacuuming, press the On/Off button. Return the handle to the fully upright position by pushing the handle forward

until the vacuum body is locked in place. Disconnect the battery pack from the vacuum cleaner.

NOTE: Brushroll does not rotate in either mode when handle is in fully upright position.



CAUTION

Do not allow the vacuum cleaner to remain in one spot for any length of time when the brushroll is turning. Damage to carpet may occur.

CAUTION

Select the right mode when using this vacuum cleaner. Incorrect setting may damage floor.

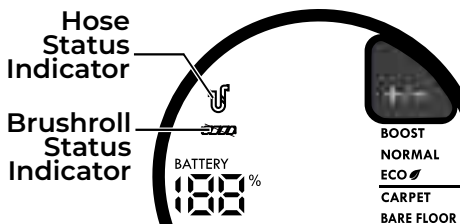
USING YOUR CORDLESS UPRIGHT VACUUM

BRUSHROLL STATUS INDICATOR & HOSE STATUS INDICATOR

When there is a jam in the brushroll, the brushroll status indicator will flash red.

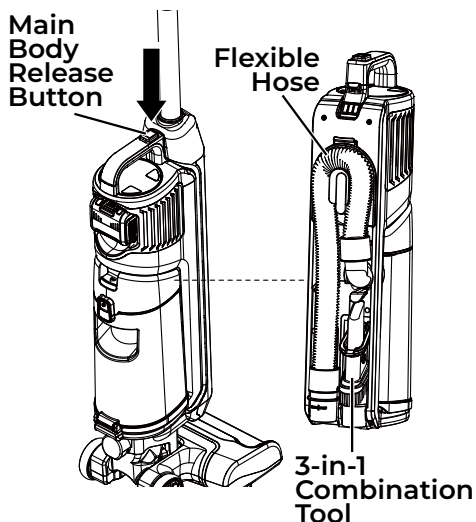
When there is a jam in the air path, or the foam and felt filters are too dirty, the hose status indicator will flash red.

Indicators	Status
Brushroll Status Indicator, Red flashing	There is a jam in the brushroll area. Turn off the vacuum and disconnect the battery pack. Remove any blockages in the nozzle.
Hose Status Indicator, Red flashing	There is a jam inside the air path, or the foam and felt filters are too dirty. Turn off the vacuum and disconnect the battery pack. Remove any blockages in the connection hose area, especially under the transparent cover (page 29). Check and remove any blockages in the flexible hose. Clean the foam and felt filters, and the HEPA media exhaust filter, if necessary.



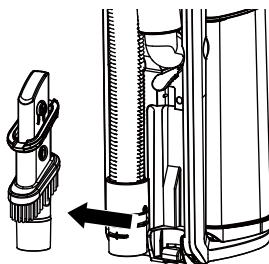
LIFT-UP MODE

1. Place the vacuum cleaner in the upright locked position.
2. Press the main body release button to detach and raise the vacuum main body from the motorized nozzle for portable carry. The flexible hose and 3-in-1 combination tool are stored inside the main body.

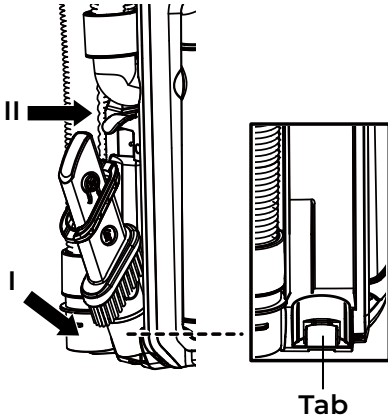


3. Remove the 3-in-1 combination tool from the storage position.

To re-install the combination tool, insert the bottom of the tool onto the storage tab, and then press the combination tool into the storage position.

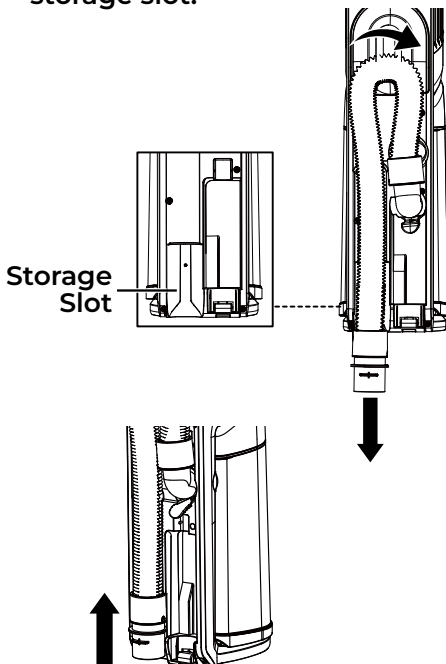


USING YOUR CORDLESS UPRIGHT VACUUM

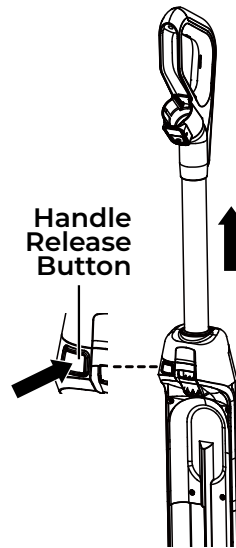


4. Pull off the open end of the flexible hose from its storage slot to release the open end from the main body.

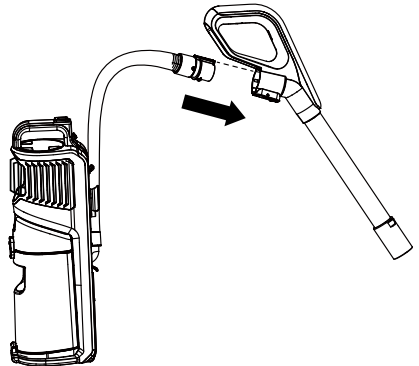
To re-install, make sure the open end of the flexible hose is properly hooked onto the storage slot.



5. Press the handle release button and lift up the handle.

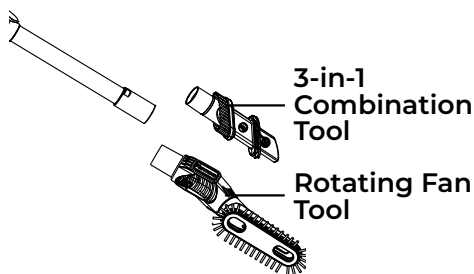


6. Insert the hose end into the upper hose connection as shown until you hear a 'click'.



7. Choose the desired attachment and insert it into the handle.

USING YOUR CORDLESS UPRIGHT VACUUM

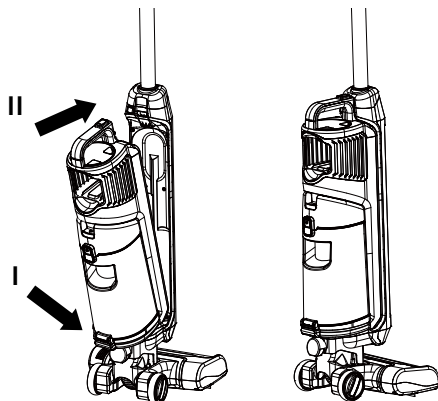


NOTE: The attachment also can insert directly into the hose if needed.

8. Press the On/Off button to turn on the vacuum cleaner.
9. Once you have completed vacuuming, press the On/Off button. Disconnect the battery pack from the vacuum cleaner.

IMPORTANT: Make sure to reinstall the hose end into the original storage slot before using the vacuum in upright mode.

10. Reinstall the main body into the vacuum cleaner until a click is heard.



CAUTION

When using attachments, be careful not to over extend the flexible hose when reaching. Trying to reach beyond the hose stretch capability could cause the vacuum cleaner to tip over.

CAUTION

DO NOT pull the vacuum cleaner around the room by the hose. Misuse could result in property damage or personal injury.

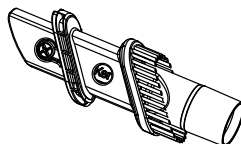
ATTACHMENTS

All included attachment tools can be inserted into either the handle or the flexible hose.

3-IN-1 COMBINATION TOOL

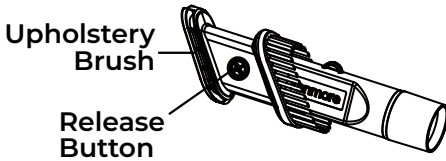
The 3-in-1 combination tool can be attached to the end of the handle and the hose. Insert the tool into the open end of the handle or hose.

Use the 3-in-1 combination tool in crevice tool mode for cleaning in tight spaces such as furniture, between cushions, and stairs. See **ATTACHMENT USE TABLE** (page 21).

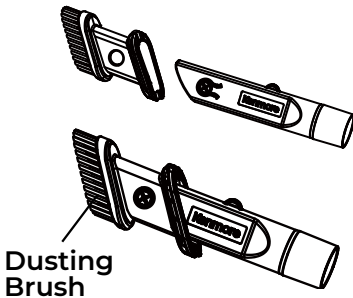


ATTACHMENTS

Set the combination tool in upholstery brush mode by pressing the release button and sliding the upholstery brush to the end of the combination tool. Use in upholstery brush mode for cleaning fabric surfaces such as fabric sofa. See **ATTACHMENT USE TABLE** (page 21).



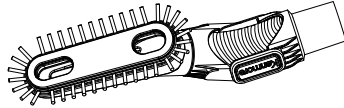
Press the release button to remove the brush tool. Set the combination tool in dusting brush mode as shown. Use in dusting brush mode for cleaning loose surfaces such as drapes. See **ATTACHMENT USE TABLE** (page 21).







To return the combination tool to crevice tool mode, press the release button and slide the brush tool down the combination tool.

ROTATING FAN TOOL

The rotating fan tool can be attached to the handle or hose for overhead cleaning of furniture such as cabinets and shelves. See **ATTACHMENT USE TABLE** (page 21).



ATTACHMENT USE TABLE

CLEANING AREA ✓ = Applicable							
ATTACHMENT	Furniture*	Between Cushions*	Drapes*	Stairs		Baseboards	
				Carpet	Bare		
CREVICE TOOL 	✓	✓		✓	✓	✓	
DUSTING BRUSH 	✓		✓	✓	✓	✓	
UPHOLSTERY BRUSH 	✓		✓				
ROTATING FAN TOOL 	✓						

*Always clean attachments before using on fabrics.

PERFORMANCE/SAFETY FEATURES

THERMAL PROTECTOR

This vacuum cleaner has a thermal protector which automatically trips to protect the vacuum cleaner suction motor. If a clog prevents the normal airflow to the motor, the thermal protector turns the motor off automatically. This allows the motor to cool in order to prevent possible damage to the vacuum cleaner.

To reset thermal protector: Turn the vacuum cleaner off and disconnect the battery pack to allow the vacuum cleaner to cool and the thermal protectors to reset.



CAUTION

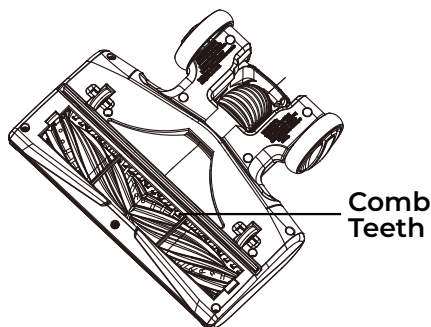
Always return the vacuum cleaner to the upright position before using the hose and attachments. Failure to do so may result in overheating of the brushroll motor and can cause the thermal protectors to trip.

Check for and remove clogs, and empty dust cup if necessary. Also check and clean any clogged filters. Wait approximately 50 minutes before restarting vacuum cleaner.

PERFORMANCE/SAFETY FEATURES

Hair Eliminator® Brushroll

For best performance, the motorized nozzle is equipped with a hair eliminator® brushroll, which prevents build-up of hair, string and other debris on the brushroll. To remove any hair wrapped around the brushroll, simply continue vacuuming, allowing the brushroll to automatically remove the hair wrap and send it to the dust cup.

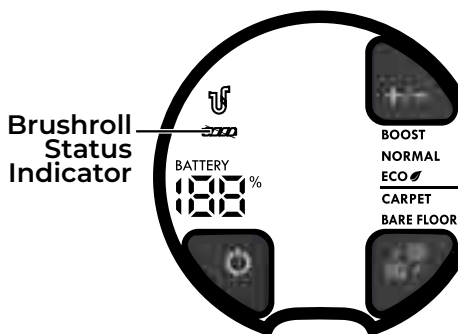


CAUTION

Moving parts! To reduce the risk of personal injury, DO NOT touch the brushroll when vacuum is on. Contacting the brushroll while it is rotating can cut, bruise or cause other injuries.

BRUSHROLL RESET

To prevent motor damage from jams, the brushroll features built-in overload protection. If the brushroll encounters a blockage, it will slow down or stop completely. In such cases, the overload protector automatically shuts off the brushroll motor (indicated by a red light on the display) while the vacuum cleaner itself continues suction.



To correct problem: Turn off and disconnect the battery pack. Remove the obstructions, then reinstall the battery pack and turn on the vacuum cleaner again. The brushroll status indicator on the display screen will be off.

If the problem persists, contact the vacuum cleaner help line for assistance.

VACUUM MAINTENANCE AND CARE

Always follow all safety precautions when performing maintenance to the vacuum cleaner.



WARNING

Electrical Shock and Personal Injury Hazard

Disconnect the battery pack before servicing or cleaning the vacuum cleaner. Failure to do so could result in electrical shock or personal injury from vacuum cleaner suddenly starting.



WARNING

The motorized nozzle is equipped with sharp comb teeth inside. **DO NOT** touch comb teeth when servicing or cleaning the vacuum, which may cause personal injury.

CLEANING EXTERIOR AND ATTACHMENTS

1. Turn off and disconnect the battery pack from the vacuum cleaner. **DO NOT** drip water on vacuum cleaner.
2. To clean exterior, or to reduce static electricity and dust build-up, wipe outer surface with a clean, soft cloth that has been dipped in a solution of mild liquid detergent and water, then wrung dry. Wipe dry after cleaning.

NOTE: Wash attachments in warm soapy water, rinse and air dry. Do not clean in dishwasher.



CAUTION

Do not use attachments if they are wet. Attachments used in dirty areas, such as under a refrigerator, should not be used on other surfaces until they are washed. They could leave marks.

PROLONGED VACUUM CLEANER STORAGE

1. Place attachments on the charging base if necessary (see page 12).
2. Disconnect the battery pack from the vacuum cleaner before prolonged storage.

3. Store the vacuum cleaner in a dry, indoor area, on the floor with the handle locked in the upright position.

EMPTYING DUST CUP

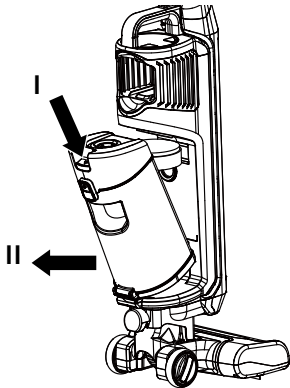


WARNING

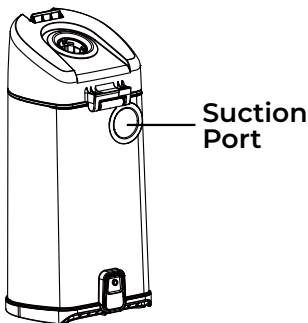
Disconnect the battery pack before performing any service on vacuum cleaner.

NOTE: For best performance, empty dust cup after every use. Never operate vacuum cleaner without dust cup and filters in place.

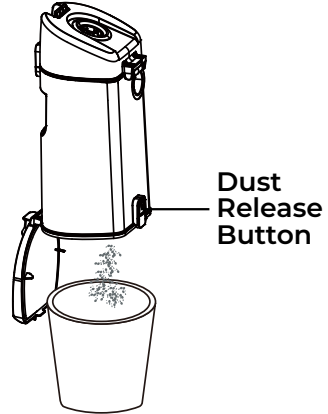
1. Press the dust cup release button to remove the dust cup from the main body.



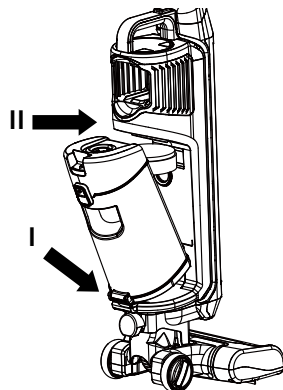
2. Remove any clogs that might be located in the suction port.



3. Position dust cup over a waste receptacle. Press down on the dust release button to open dust cup lid and allow contents to drop into waste receptacle.



4. Shake the dust cup to release any debris that might hang in the pre-filter.
5. Reinstall and insert the dust cup into the slots on the bottom of the main body, then press the dust cup back into the locked slot until you hear it click into place.



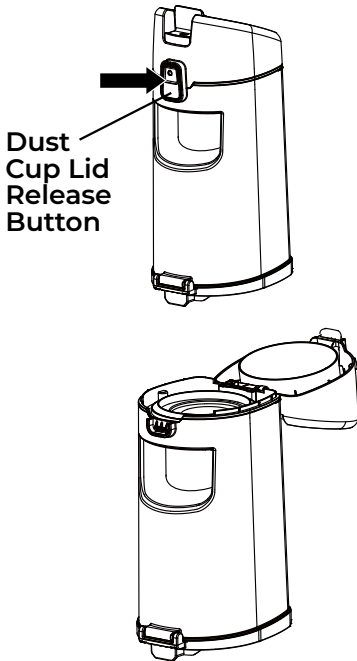
PRE-FILTER CLEANING

The pre-filter is located inside the dust cup. Clean the pre-filter as needed to optimize suction power.

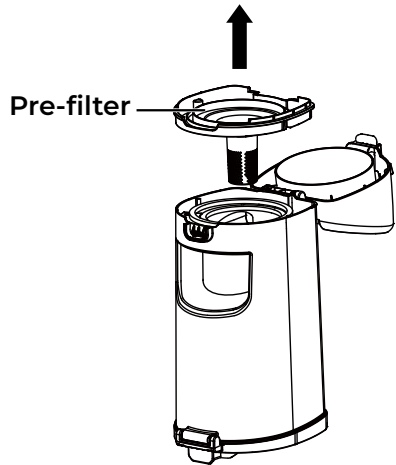
1. Remove the dust cup as outlined in EMPTYING DUST CUP (page 24).

NOTE: Make sure dust cup is free of debris before opening.

2. Press the dust cup lid release button, and open the lid.



3. Lift up the pre-filter from the dust cup. Clean pre-filter by gently tapping over a waste receptacle. Tap on several sides to ensure best cleaning.



4. Reinstall the dust cup into the main body. See installation instructions in EMPTYING DUST CUP (page 24).

FOAM AND FELT FILTERS CLEANING

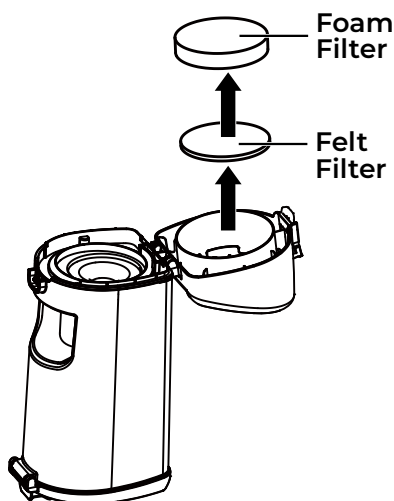
IMPORTANT: Clean filters every month. Foam filters may appear dirty after use - this is normal.

It is recommended to clean the foam and felt filters with cold water every month.

NOTE: When the cleaning of filters no longer restores vacuum cleaner suction to full power, or the filters are worn or broken, replace the filters. To purchase filters, call 1-877-531-7321 (US) / 1-844-608-3081 (CA).

Regularly clean and replace the filters to keep the vacuum's suction power optimal.

1. Remove the dust cup as outlined in **EMPTYING DUST CUP** (page 24).
2. Open the dust cup lid. Remove the foam and felt filters from the lid.



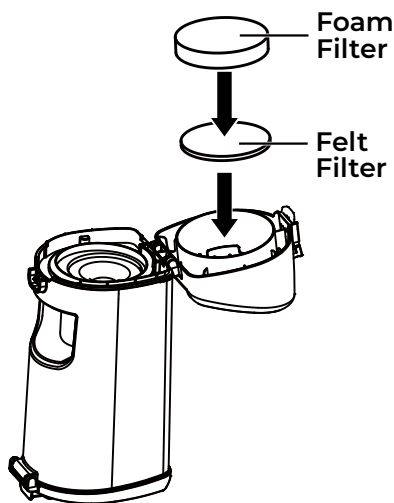
3. Wash with cold water only, **DO NOT** use detergent or soap. Squeeze by hand and allow to air dry. Allow all filters to dry 24 hours before putting back into vacuum cleaner.

NOTE: **DO NOT** operate without foam and felt filters installed.

DO NOT wash in the dishwasher.

DO NOT install foam and felt filters if damp.

4. Replace foam and felt filters into the dust cup lid.



5. Reinstall the dust cup. See **EMPTYING DUST CUP** (page 24).

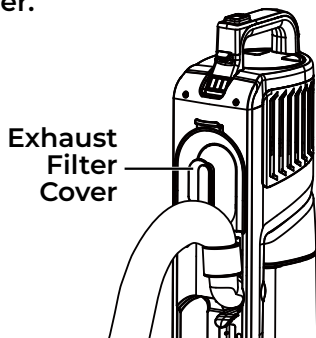
HEPA MEDIA EXHAUST FILTER CLEANING

IMPORTANT: Clean the filter every month. Do not operate without the filter!

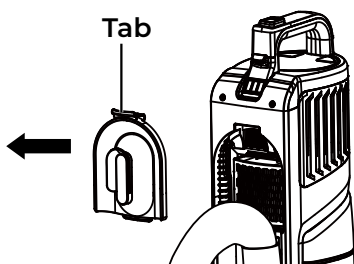
It is recommended to clean the HEPA media exhaust filter with cold water every month.

NOTE: When the cleaning of the filter no longer restores vacuum cleaner suction to full power, or the filter is worn or broken, replace the exhaust filter. To purchase the exhaust filter, call 1-877-531-7321 (US) / 1-844-608-3081 (CA).

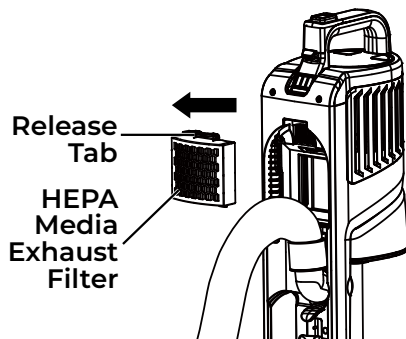
1. Remove the vacuum main body as outlined in LIFT-UP MODE (page 17).
2. Remove the open end of the flexible hose from the main body to show the exhaust filter cover.



3. Remove the exhaust filter cover by pressing the tab at the top of the cover.



4. Press the release tab and remove the HEPA media exhaust filter from vacuum main body.



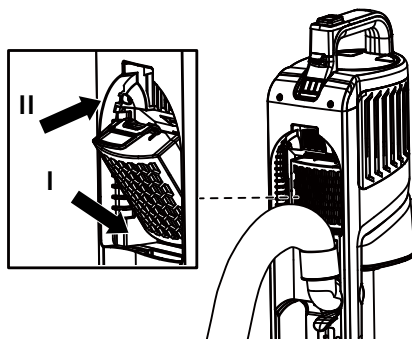
5. Wash with cold water only. DO NOT use detergent or soap. Allow to air dry for 24 hours before putting back into vacuum cleaner.

NOTE: DO NOT operate without exhaust filter installed.

DO NOT wash in the dishwasher.

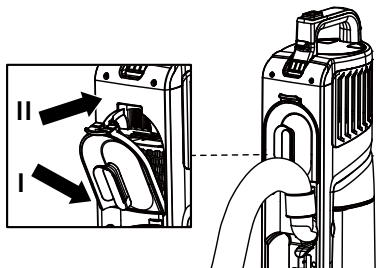
DO NOT install the filter if damp.

6. Reinstall the HEPA media exhaust filter into the vacuum main body until a click is heard.



HEPA MEDIA EXHAUST FILTER CLEANING

7. Reinstall the exhaust filter cover into the vacuum main body until a click is heard.



NOTE: Make sure the exhaust filter cover is properly installed.

REMOVING CLOGS



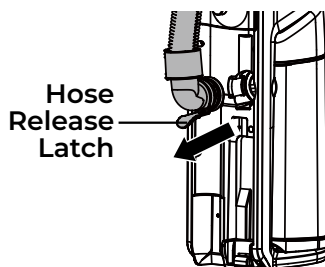
WARNING

Disconnect the battery pack before removing clogs. Failure to do so could result in electrical shock or personal injury.

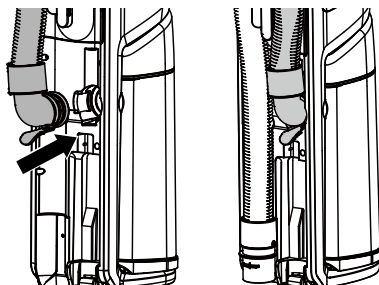
CHECKING FLEXIBLE HOSE FOR CLOGS

When there is a jam in the air path, the hose status indicator on the display screen will flash red. Check the hose for clogs.

1. Remove the vacuum main body as outlined in LIFT-UP MODE (page 17).
2. Remove the open end of the flexible hose from the main body.
3. Remove the locking end of the hose from the main body by pressing the hose release latch.



4. Check and remove any clogs in the flexible hose.
5. Reinstall the locking end of the hose to the vacuum cleaner until a click is heard. Reinstall the open end of the hose to its original storage slot.

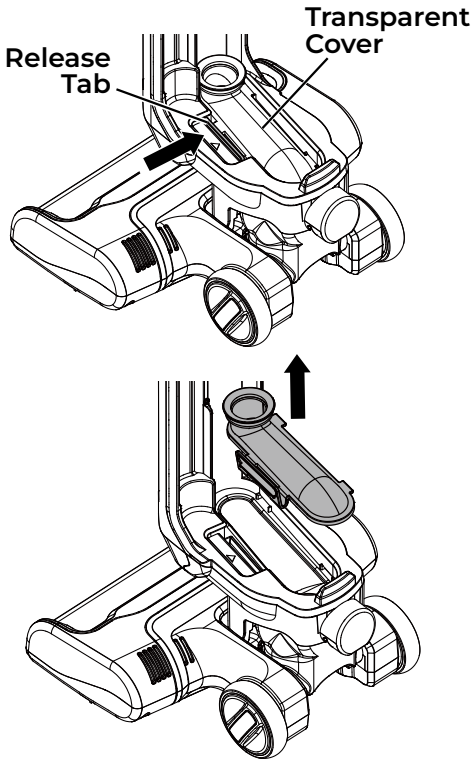


REMOVING CLOGS

CHECKING CONNECTION HOSE FOR CLOGS

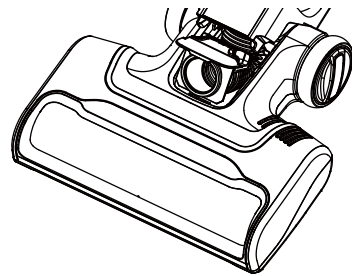
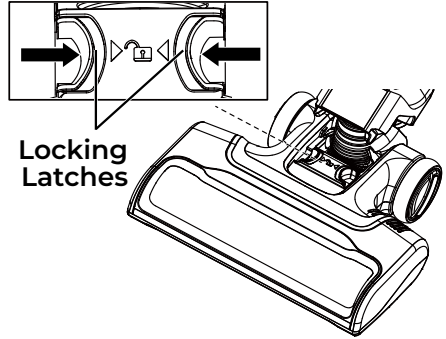
1. Remove the vacuum main body as outlined in LIFT-UP MODE (page 17).
2. The transparent cover over the connection hose allows you to check clogs easily. Remove it by pressing the release tab and pulling it out.

NOTE: Remove any blockage here when the clogging appears under the transparent cover.

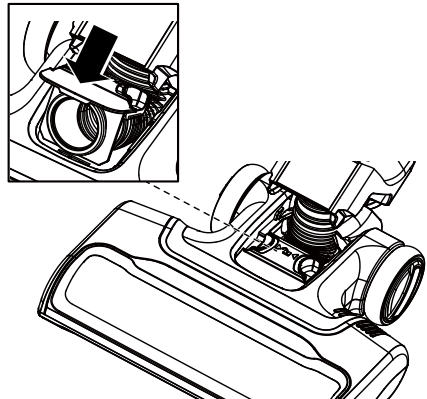


3. Release the handle of the vacuum.

4. Squeeze both the locking latches to release the end of the connection hose.

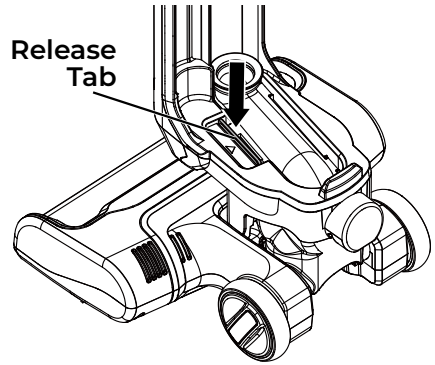
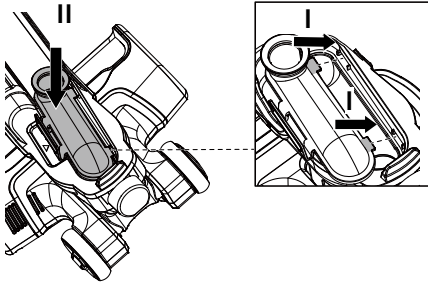


5. Check and remove any clogs in the connection hose.
6. Replace the end of the connection hose by pressing it down until a click is heard.



REMOVING CLOGS

- Return the handle to the fully upright position.
- Reinstall the transparent cover. First align the two small tabs on the cover with the position slots as shown. Then press down on the transparent cover until a click is heard. Press on the release tab area to ensure it is secured properly. A click should be heard.



TROUBLESHOOTING

Review this table to find do-it-yourself solutions for minor performance problems. Any service needed, other than maintenance described in this Use & Care Guide, should be performed by a qualified service agent.



WARNING

Disconnect the battery pack before performing maintenance to the vacuum cleaner. Failure to do so could result in electrical shock or personal injury.

PROBLEM	POSSIBLE CAUSE	SOLUTION
Vacuum cleaner won't run.	Battery may be depleted.	Charge the hard floor cleaner as instructed on page 13-14.
	Wrong charger being used.	Be sure to use only the charging base or charging adapter supplied with your product.
	Vacuum main body is not installed properly.	Remove the vacuum main body and reattach ensuring that it is securely in place.
	The vacuum is overheated.	Turn the vacuum cleaner off and let the vacuum cool down for 50 minutes.
	The motor is damaged.	Call 1-877-531-7321 (US) / 1-844-608-3081 (CA) for assistance.
Poor job of dirt pick-up.	Dust cup is not installed correctly.	Check dust cup for correct installation and ensure it is snapped firmly in place.
	Full or clogged dust cup.	Empty the dust cup (page 24).
	There is a clog in the flexible hose or connection hose of the vacuum cleaner.	Check and remove all clogs. Follow instructions on page 28-30.
	The hose or attachments are not installed correctly.	Check the hose and attachments for correct installation and ensure they are snapped firmly in place.
	The foam filter, felt filter or HEPA media exhaust filter needs to be cleaned or replaced.	Clean or replace the foam filter, felt filter or HEPA media exhaust filter. Follow the foam filter, felt filter, or HEPA media exhaust filter cleaning instructions on page 26 or 27-28.
	The flexible hose is worn.	Replace the hose assembly. To purchase parts, call 1-877-531-7321 (US) / 1-844-608-3081 (CA).

TROUBLESHOOTING

Poor job of dirt pick-up.	The connection hose is worn.	Call 1-877-531-7321 (US) / 1-844-608-3081 (CA) for assistance.
	The brushroll is worn.	
Dust escapes from the vacuum.	Dust cup is not installed correctly.	Position dust cup correctly and snap firmly in place.
	HEPA media exhaust filter is installed incorrectly.	Check exhaust filter for correct installation. Follow instructions on page 27-28.
	Foam filter, felt filter or HEPA media exhaust filter is worn or broken.	Check and replace the foam filter, felt filter or the HEPA media exhaust filter. To purchase parts, call 1-877-531-7321 (US) / 1-844-608-3081 (CA).
Brushroll does not turn.	Handle is in fully upright position.	Move handle from the fully upright position.
	Brushroll is jammed.	Remove obstruction. Follow instructions on page 22.
	Brushroll is not installed correctly.	Call 1-877-531-7321 (US) / 1-844-608-3081 (CA) for assistance.
	The belt is not routed correctly.	
	The belt is worn or broken.	
	Fault in PCB section of the motorized nozzle.	Wait for the motorized nozzle to cool down, and then restart.
Overheat protector of the motorized nozzle is activated.		
Airflow restricted with attachments in use; sound changes.	Exhaust filter cover is installed incorrectly.	Position exhaust filter cover correctly and snap firmly into place. Follow instructions on page 28.
	Air path is blocked.	Check for and remove any clogs and clean the air path. Follow instructions on page 28-30.
	Attachments in use restrict air flow.	Check attachments for fuzz, lint, pet hair or other debris.

TROUBLESHOOTING

Vacuum turns off on its own.	Battery may be depleted.	Charge the battery as instructed on page 13-14.
	Thermal protector is activated.	Turn the vacuum cleaner off and disconnect the battery pack. Check the air path and dust cup. Allow the vacuum cleaner to cool for a minimum of 50 minutes. Reinstall the battery pack and turn it on.
	The motor is damaged.	Call 1-877-531-7321 (US) / 1-844-608-3081 (CA) for assistance.
Brushroll status indicator on the display screen emits red.	There is a jam in the brushroll area.	Turn off and disconnect the battery pack. Remove any blockages in the brushroll. See page 22.
	The brushroll is worn or broken.	Call 1-877-531-7321 (US) / 1-844-608-3081 (CA) for assistance.
The vacuum will not charge.	Charging adapter is not inserted into the charging port on the charging base firmly.	Be sure the charging adapter is fully inserted into the charging port on the charging base, and is properly plugged into the wall outlet.
	Debris accumulated on the metal charging contacts on the vacuum main body and the vacuum.	Be sure no debris is accumulated on the metal charging contacts on the vacuum and main body.
	Vacuum main body is not installed properly.	Remove the vacuum main body and reattach ensuring that it is securely in place.
	The charging status on display screen is damaged.	Call customer service for assistance.
	No power at electrical outlet.	Check circuit breakers. Replace the charging adapter.
	The charging adapter is damaged.	Replace the charging adapter. Call 1-877-531-7321 (US) / 1-844-608-3081 (CA) for assistance.
	The battery is damaged.	Replace the battery pack. Call 1-877-531-7321 (US) / 1-844-608-3081 (CA) for assistance.

TABLA DE CONTENIDOS

Antes de usar su nueva aspiradora	1
Lista de piezas incluidas	1
Instrucciones de seguridad importantes	2-6
Garantía de la aspiradora	7
Piezas y características	8-11
Instrucciones de ensamblaje	12-14
Instrucciones de uso	15-21
Desempeño/características de seguridad.....	22-23
Mantenimiento y cuidado de la aspiradora	24-31
Resolución de problemas	32-34
Solicitud de ayuda o reparaciones	Tapa posterior

ANTES DE USAR SU NUEVA ASPIRADORA

Lea esta guía de uso y cuidado. Lo ayudará a ensamblar y operar su nueva aspiradora Kenmore de la manera más segura y efectiva posible.

Por más información sobre el cuidado y operación de la aspiradora, llame a la Línea de ayuda para aspiradoras al 1-877-531-7321 (EE. UU.) / 1-844-608-3081 (Canadá). Necesitará el modelo completo y los números de serie al solicitar información.

El modelo de su aspiradora y los números de serie se ubican en la placa de modelo y número de serie. Use el siguiente espacio para registrar el número de modelo y el número de serie de su nueva aspiradora Kenmore.

N° de modelo _____

N° de serie _____

Fecha de compra _____

Guarde este libro y su boleta (recibo) de venta en un lugar seguro para usarlos como referencia a futuro.

LISTA DE PIEZAS INCLUIDAS

Su ASPIRADORA VERTICAL INALÁMBRICO KENMORE posee las siguientes piezas y componentes ensamblados por separado en la caja:

1 Aspiradora vertical inalámbrica
(con boquilla motorizada)

1 Empuñadura

1 Manguera flexible

1 Herramienta combinada 3 en 1

1 Herramienta de ventilador giratorio

2 Paquetes de baterías

1 Base de carga

1 Adaptador de carga

1 Guía de uso y cuidado

INSTRUCCIONES DE SEGURIDAD IMPORTANTES

LEA TODAS LAS INSTRUCCIONES DE ESTA GUÍA ANTES DE ENSAMBLAR O USAR SU ASPIRADORA.

¡ADVERTENCIA!

Su seguridad es importante para nosotros. Al usar un producto eléctrico, es necesario seguir precauciones básicas para evitar descargas eléctricas, incendios y/o lesiones graves, entre las que se incluyen las siguientes:

- Utilice solo su aspiradora solo como se indica en esta guía de uso y cuidado. Utilice solo los accesorios recomendados por el fabricante.
- Ensamble o instale completamente la aspiradora antes de usarla.
- No use ni cargue en exteriores o sobre superficies mojadas.
- No permita que se utilice como un juguete. Se debe prestar estricta atención cuando el aparato lo usen niños o cuando se use cerca de ellos. No debe ser utilizado por niños menores de 12 años. Para evitar lesiones o daños, mantenga a los niños alejados del producto y no permita que introduzcan los dedos u otros objetos en las aberturas.
- No manipule la batería y el cargador, incluido el enchufe, ni las terminales de carga con las manos mojadas.
- No utilice un cargador con el cable o el enchufe dañados. Si la aspiradora, el cargador o la batería no funcionan como deberían, se han caído, dañado, dejado en exteriores o caído al agua, deje de usarla inmediatamente y llame al 1-877-531-7321 (Estados Unidos) / 1-844-608-3081 (Canadá) para obtener ayuda.
- No tire del cargador ni lo transporte por el cable, no utilice el cable como empuñadura, no apriete el cable al cerrar puertas ni pase el cable cerca de bordes afilados o esquinas. No use la aspiradora sobre su cable. Mantenga el cable alejado de superficies calientes.
- No desconecte el cargador tirando del cable. Para desenchufar el cargador, tire de la clavija, no del cable.
- No ponga objetos sobre las aberturas. No lo utilice si las aberturas están bloqueadas; tenga cuidado que no haya polvo, cabellos, pelusas en las aberturas o cualquier cosa que pueda reducir el flujo de aire.
- Mantenga su cabello, ropas holgadas, dedos y partes de su cuerpo lejos de las aberturas y piezas móviles del producto.
- Tenga precaución adicional al limpiar en escaleras.
- No la ponga sobre sillas, mesas, etc. Manténgala la aspiradora sobre el piso.

INSTRUCCIONES DE SEGURIDAD IMPORTANTES

- No utilice la aspiradora para aspirar líquidos inflamables o combustibles, como gasolina, ni tampoco la utilice en lugares donde tales líquidos puedan estar presentes.
- No aspire elementos que estén en llamas o humeando, tales como cigarrillos, fósforos o cenizas calientes.
- No use la aspiradora sin el contenedor de polvo ni filtros instalados.
- No cargue la aspiradora ni la batería en exteriores.
- Guarde la aspiradora después de usarla para evitar accidentes por tropiezos.
- Evite los arranques accidentales. Asegúrese de que el interruptor está en la posición de apagado antes de recoger o llevar el aparato.
- No intente cargar el electrodoméstico con el interruptor en la posición de encendido.
- Desconecte la batería antes de realizar cualquier ajuste, cambiar accesorios o almacenar el producto. Estas medidas preventivas reducen el riesgo de arrancar el producto accidentalmente.
- Recargue la batería exclusivamente con el cargador especificado por el fabricante. Un cargador adecuado para un tipo de batería puede crear riesgo de incendio si se utiliza con otro tipo de batería.
- Para uso exclusivo con el cargador XIAMEN XDROID XZ2700-1000G1.
- Utilice los aparatos sólo con los paquetes de baterías específicamente designados. El uso de cualquier otro pack de baterías puede crear riesgo de lesiones e incendio.
- Para uso exclusivo con la batería LB1024.
- Cuando la batería no esté en uso, manténgala alejada de otros objetos metálicos, como clips, monedas, llaves, clavos, tornillos u otros objetos metálicos pequeños, que puedan hacer una conexión de un terminal a otro. Un cortocircuito entre los terminales de la batería puede provocar quemaduras o un incendio.
- En condiciones abusivas, puede salir líquido de la batería; evite el contacto. En caso de contacto accidental, lave la zona afectada con agua. Si el líquido entra en contacto con los ojos, solicite asistencia médica.
- El líquido expulsado de la batería puede causar irritación o quemaduras.
- No use una batería o aparato que esté dañado o modificado. Las baterías dañadas o modificadas pueden presentar un comportamiento impredecible, provocando incendios, explosiones o riesgo de lesiones.
- No sumerja la aspiradora , el adaptador de carga ni las baterías en agua u otros

INSTRUCCIONES DE SEGURIDAD IMPORTANTES

líquidos.

- Apague siempre la aspiradora antes de conectar o desconectar el cuerpo principal a o de la aspiradora.
 - Limpie siempre el contenedor de polvo después de aspirar limpiadores de alfombras o ambientadores, polvos y polvo fino. Estos productos obstruyen los filtros, reducen el flujo de aire y pueden dañar la aspiradora. No limpiar el contenedor de polvo puede causar daños permanentes a la aspiradora.
 - Almacene la aspiradora inalámbrica en interiores. Almacene la aspiradora después de usarla para evitar accidentes.
 - Mantenga la aspiradora en movimiento sobre la superficie de la alfombra en todo momento para evitar dañar las fibras de la alfombra.
 - No usar en un espacio confinado donde pueda haber presentes vapores de pintura, diluyente, sustancias antipolillas, polvo inflamable y otros materiales explosivos o tóxicos.
 - No aspire objetos duros o filosos, como vidrio, clavos, tornillos o monedas, ya que puede dañar la aspiradora.
 - Para evitar que se acumule calor excesivo en la unidad o en las baterías, no opere la batería mientras la está cargando.
 - No exponga una batería o un electrodoméstico al fuego o temperaturas excesivas.
- La exposición al fuego o a temperaturas sobre los 265 °F (130 °C) puede provocar una explosión.
- Siga todas las instrucciones de carga y no cargue la batería ni el aparato fuera del intervalo de temperatura especificado en las instrucciones. Una recarga inadecuada o a temperaturas fuera del rango especificado podría dañar la batería y aumentar el riesgo de incendio.
 - Si bien no existe riesgo de descarga eléctrica en las terminales de la aspiradora, podría ocurrir una quemadura al insertar objetos metálicos en las terminales. Las terminales de la aspiradora siempre deben estar libres de objetos extraños.
 - Almacene el cargador en interiores, en una zona seca y fresca, no expuesto al clima, para evitar descargas eléctricas o daños a la aspiradora.
 - Los cambios o modificaciones a esta unidad no aprobados expresamente por el responsable del cumplimiento anularían la autoridad del usuario para operar el equipo.
 - Usted es responsable de asegurarse de que su aspiradora no sea usada por quienes no puedan operarla correctamente.
 - Haga que las reparaciones las realice un técnico especializado, usando piezas de repuesto idénticas. Esto garantiza que se mantenga la seguridad del producto.

INSTRUCCIONES DE SEGURIDAD IMPORTANTES

- No modifique ni intente reparar el electrodoméstico ni la batería (según aplique), salvo según se indica en las Instrucciones de uso y cuidado.
- ¡Este electrodoméstico está hecho sólo para uso doméstico!



ADVERTENCIA

Para reducir el riesgo de descarga eléctrica, no utilice el producto en exteriores ni sobre superficies mojadas.

Desecho del producto

Este producto contiene un paquete de baterías de iones de litio formulado a partir de materiales que pueden causar daño ecológico. Este producto se debe desechar adecuadamente, cuidando correctamente del medioambiente. No deseche el producto junto con la basura doméstica corriente. Consulte a su autoridad de eliminación local para obtener información sobre la disponibilidad de opciones de reciclaje o eliminación.



RECICLE O DESECHE
SEGÚN LAS REGULACIONES
FEDERALES Y LOCALES.



ADVERTENCIA

Cualquier cambio o modificación no aprobados expresamente por la parte responsable del cumplimiento podría anular la autoridad del usuario para utilizar el aparato.

NOTA: Este equipo ha sido probado por cuanto a su cumplimiento con los límites

de un dispositivo digital Clase B, según el inciso 15 de las Regulaciones FCC. Estos límites están diseñados para proporcionar una correcta protección contra interferencias perjudiciales en instalaciones residenciales.

Este equipo genera, usa y puede irradiar energía de radiofrecuencias y, de no instalarse y usarse según las instrucciones, puede provocar interferencia dañina sobre las comunicaciones por radio. Sin embargo, no existe garantía alguna de que no puedan producirse interferencias en una instalación en particular.

Si este equipo provoca interferencias perjudiciales en la recepción de radio o televisión, lo cual se puede determinar con tan solo apagar y encender el equipo, se recomienda corregir tales interferencias mediante uno o más de los métodos que se indican a continuación:

- Cambie la posición o el lugar de la antena receptora.
- Aumente la separación entre el equipo y el receptor.
- Conecte el equipo a una toma de corriente de un circuito distinto al que está conectado el receptor.
- Consulte al representante de ventas o a un técnico de radio/TV cualificado para obtener asistencia.

INSTRUCCIONES DE SEGURIDAD IMPORTANTES

GUARDE ESTAS INSTRUCCIONES

El correcto ensamblaje y el uso seguro de su aspiradora son su responsabilidad. Su aspiradora está diseñada solo para **uso doméstico**. Lea esta guía de uso y cuidado para obtener información importante sobre uso y seguridad. Esta guía contiene afirmaciones de seguridad bajo símbolos de advertencia y precaución.

El sistema AllergenSeal™ le permite estar seguro de que esta aspiradora atrapa al 99.97 % de todo el polvo y partículas de hasta 0.3 micrones en su aspiradora, manteniéndolas fuera del aire que respira.

GARANTÍA DE LA ASPIRADORA

GARANTÍA LIMITADA

DURANTE UN AÑO a contar de la fecha de venta (o, para entregas en el Estado de California, un año a partir de la fecha de entrega), este producto está garantizado contra defectos en sus materiales o fabricación.

Un producto defectuoso puede reemplazarse por uno nuevo, de manera gratuita, considerando que se presente una **PRUEBA DE VENTA**.

La marca Kenmore se utiliza bajo licencia. Dirija sus reclamaciones de garantía a: 1-877-531-7321 (Estados Unidos) / 1-844-608-3081 (Canadá).

Esta garantía no cubre los filtros ni correas, las cuales son piezas desechables que pueden desgastarse debido al uso normal dentro del periodo de garantía.

Esta garantía queda nula si el producto llega a usarse para algún propósito que no sea el uso privado doméstico. Esta garantía le entrega derechos legales específicos que pueden variar según su estado (podría tener otros derechos adicionales).

Cleva North America, Inc., Greenville SC 29607

PIEZAS Y CARACTERÍSTICAS

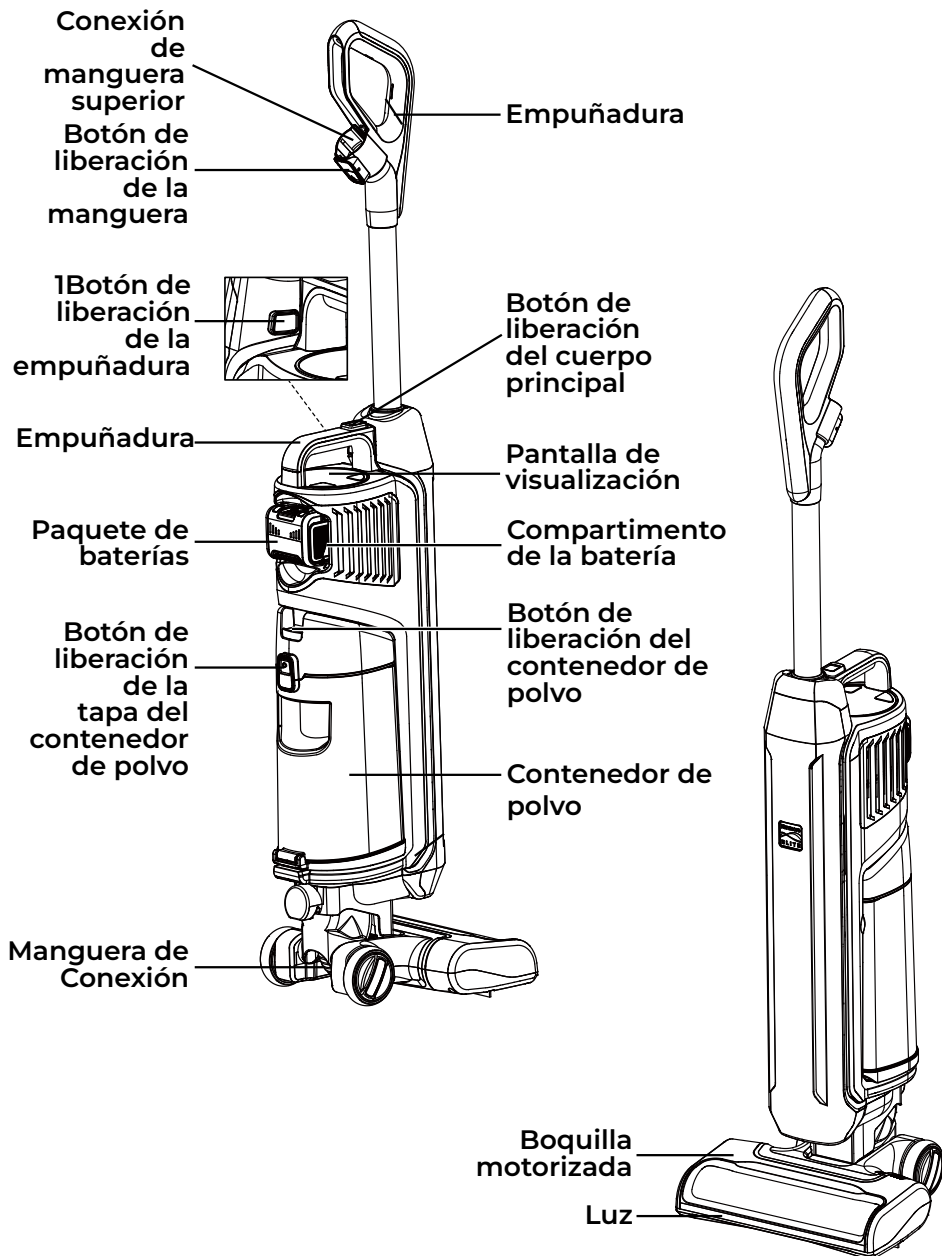
Es importante conocer las partes y características de su aspiradora para garantizar su uso adecuado y seguro. Revise estas indicaciones antes de usar su aspiradora.

PIEZAS DE REPUESTO

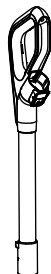
Artículo	N° de parte (Estados Unidos)	N° de parte (Canadá)
Filtro de espuma	561116101	561116101
Filtro de fieltro	561116102	561116102
Filtro de escape de medios HEPA	561116103	561116103
Empuñadura	561116104	561116104
Manguera flexible	561116105	561116105
Herramienta combinada 3 en 1	561116106	561116106
Herramienta de ventilador giratorio	561060176	561060176
Paquete de baterías	561116109	561116109
Base de carga	561116110	561116110
Adaptador de carga	561116111	561116111

Para solicitar una pieza de repuesto, llame al 1-877-531-7321 (EE. UU.) / 1-844-608-3081 (Canadá).

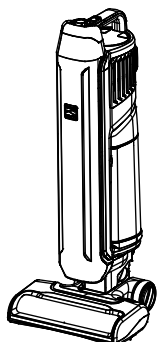
PIEZAS Y CARACTERÍSTICAS



PIEZAS Y CARACTERÍSTICAS



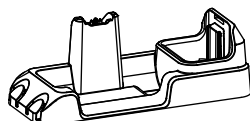
Empuñadura



Cuerpo principal



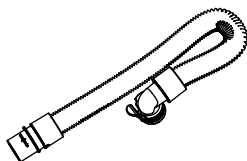
Paquete de baterías (X2)



Base de carga



Adaptador de carga



Manguera flexible (guardada dentro del cuerpo principal)

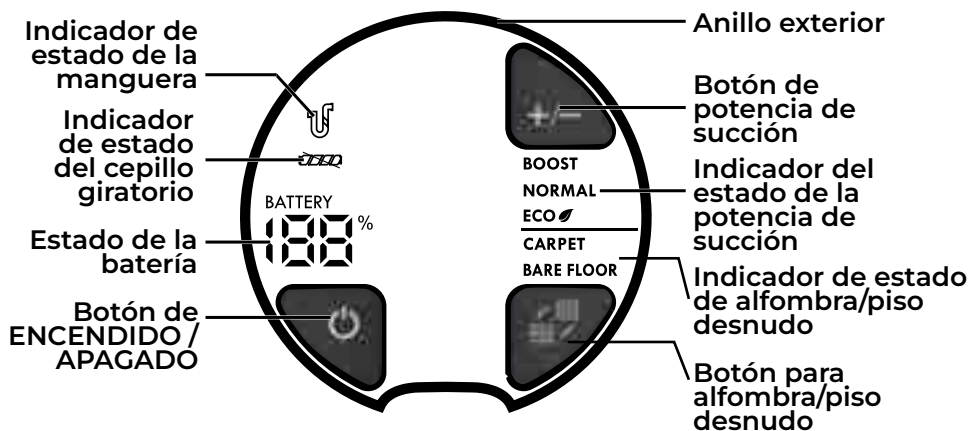


Herramienta combinada 3 en 1 (guardada dentro del cuerpo principal)



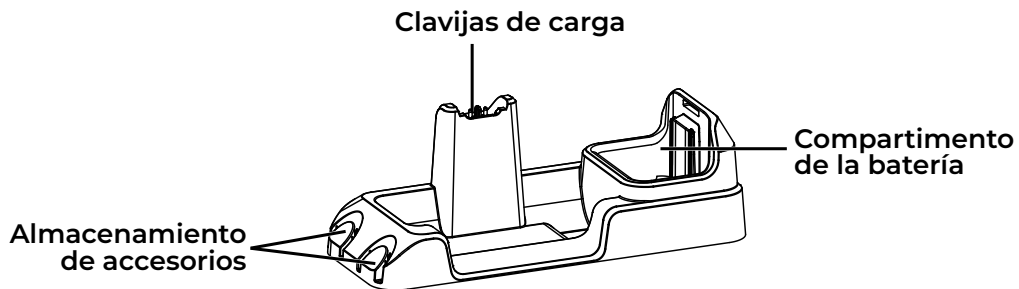
Herramienta de ventilador giratorio

DISPLAY SCREEN



PIEZAS Y CARACTERÍSTICAS

BASE DE CARGA



INSTRUCCIONES DE ENSAMBLAJE



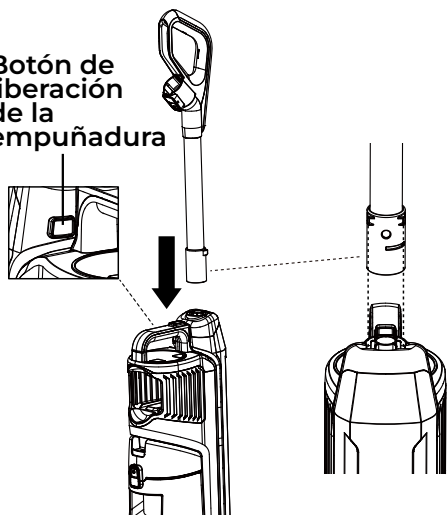
Preste especial atención a estos cuadros de alerta de peligro y siga todas las instrucciones indicadas. Las declaraciones de **ADVERTENCIA** lo alertan sobre riesgos tales como incendio, descarga eléctrica, quemaduras y lesiones personales. Las declaraciones de **PRECAUCIÓN** lo alertan sobre riesgos tales como lesiones personales o daño a la propiedad.

Antes de armar la aspiradora, revise la **LISTA DE PIEZAS INCLUIDAS** (página 1). Utilice esta lista para comprobar que ha recibido todos los componentes de su nueva aspiradora vertical inalámbrica Kenmore.

1. Inserte la empuñadura en el cuerpo principal hasta escuchar un sonido de "clic".

Para sacar: Presione el botón de liberación de la empuñadura y tire la empuñadura hacia arriba.

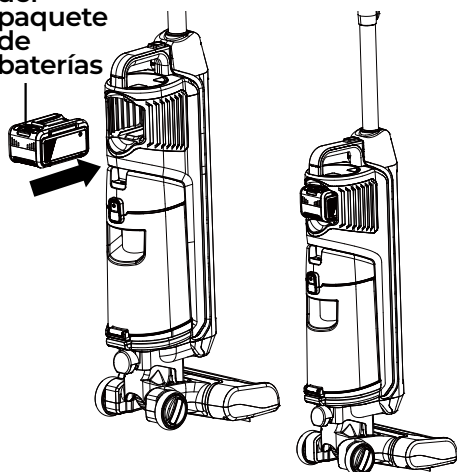
Botón de liberación de la empuñadura



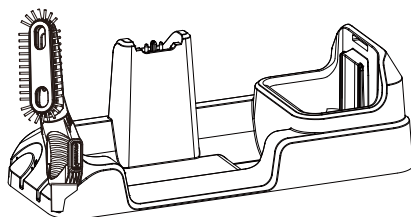
2. Inserte el paquete de baterías en el compartimento hasta que escuche un clic. Asegúrese de que el paquete de baterías encaje firmemente en su sitio.

Para extraerla: Presione el botón de liberación de la batería en el paquete de baterías, agarre firmemente el paquete de baterías y sáquelo del compartimento de baterías.

Botón de liberación del paquete de baterías



3. La herramienta de ventilador giratorio se pueden guardar en la base de carga. Introduzca la herramienta de ventilador giratorio en las ranuras de almacenamiento de accesorios de la base de carga.



CARGA

NOTA: Cargue completamente la aspiradora antes de utilizarla por primera vez.

El paquete de baterías se puede cargar a través de la base de carga o del adaptador de carga.

La aspiradora se puede cargar directamente, con el paquete de baterías instalado, a través de la base de carga.

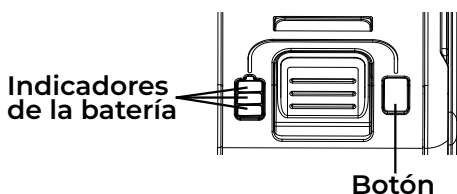


ADVERTENCIA

Utilice exclusivamente el cargador recomendado por el fabricante.

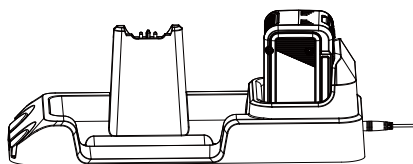
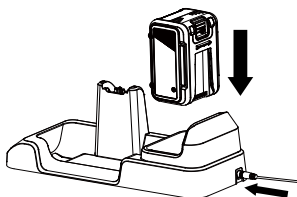
INDICADORES DE BATERÍA

Hay 3 indicadores LED en la batería. Mantenga presionado el botón y los LED mostrarán los niveles de carga.

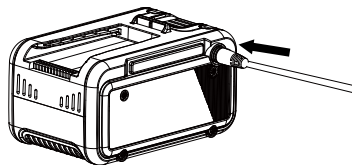


PARA CARGAR EL PAQUETE DE BATERÍAS

1. Inserte el adaptador de carga en el puerto de carga al lado de la base de carga. Deslice el paquete de baterías en el compartimiento de baterías hasta que escuche un "clíc".



2. Opcional: el paquete de baterías se puede cargar a través de la base de carga o del adaptador de carga. Inserte el adaptador de carga dentro del puerto de carga en el paquete de baterías.



3. Enchufe el adaptador de carga en la toma de corriente.

4. El paquete de baterías se empieza a cargar. El indicador LED de la batería en el paquete parpadeará continuamente.

5. Cuando la batería está completamente cargada, los tres indicadores LED se iluminan continuamente y se apagarán después de 10 minutos.

6. Una vez que esté completamente cargado, retire la batería del adaptador del cargador. Desenchufe el adaptador de la toma de corriente.

PARA CARGAR LA ASPIRADORA

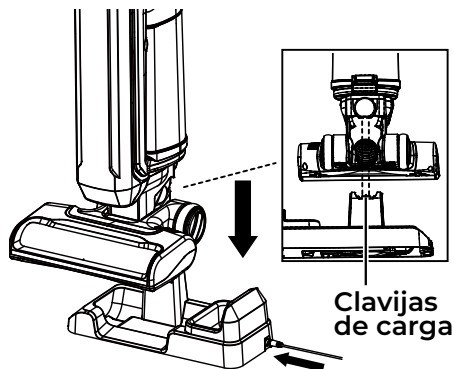


ADVERTENCIA

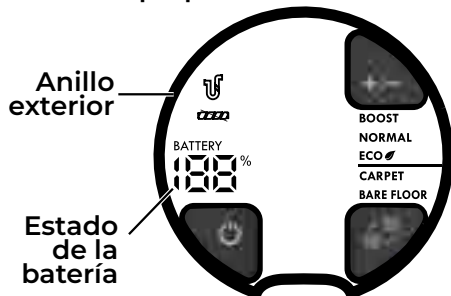
Antes de colocar la aspiradora en la base de carga, asegúrese de que esté apagada.

CARGA

1. Inserte el adaptador de carga en el puerto de carga al lado de la base de carga.
2. Asegúrese de que el paquete de baterías esté correctamente insertado en el compartimento de baterías de la aspiradora.
3. Coloque la aspiradora en la base de carga. Asegúrese de que las clavijas de carga de la base de carga estén correctamente conectadas a la aspiradora.



4. Enchufe el adaptador de carga en la toma de corriente.
5. La aspiradora se empieza a cargar. El estado de batería en la pantalla parpadea continuamente para indicar la potencia de la batería. El anillo externo parpadeará en verde.



6. Cuando la aspiradora está completamente cargada, el estado de la batería indica 100 %. El anillo externo mostrará una luz azul continua. La pantalla se apagará después de 3 minutos.

NOTA: Asegúrese de que la aspiradora está completamente cargada antes de usarla por primera vez. Puede tardar hasta 4-5 horas en cargarse completamente si está totalmente descargada.

NOTA: Se puede insertar una batería de reserva en el compartimento de la batería de la base de carga. La base de carga le dará prioridad a la aspiradora. Una vez que la aspiradora esté completamente cargada, la base de carga comenzará a cargar el paquete de baterías de respaldo. No es necesario retirar la aspiradora de la base de carga.

NOTA: Si el estado de la batería y el anillo exterior en la pantalla no se iluminan durante la carga, asegúrese de que:

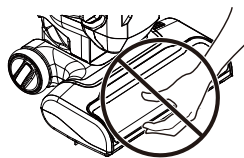
- El adaptador de carga esté enchufado correctamente a la fuente de alimentación.
- El suministro eléctrico en el tomacorriente esté encendido.
- El adaptador de carga esté completamente insertado en el puerto de carga.

NOTA: Nunca cargue la aspiradora a temperaturas superiores a 104 °F (40 °C) ni inferiores a 39,2 °F (4 °C). Es normal que el cargador se caliente durante la carga.

INSTRUCCIONES DE USO

PRECAUCIÓN

¡Piezas móviles! Para reducir el riesgo de lesiones personales, **NO** toque el cepillo de rodillo mientras la aspiradora esté encendida. Tocar el cepillo de rodillo mientras está girando puede cortar, golpear o provocar otras lesiones. Desconecte la aspiradora de la toma de corriente antes de repararla o limpiarla. Tenga cuidado al usarlo cerca de niños o mascotas.



USO DE SU ASPIRADORA VERTICAL INALÁMBRICA

ADVERTENCIA

Cuando ocurra una anomalía/falla, deje de usar el producto inmediatamente y desconecte la batería.

PRECAUCIÓN

• Tenga precaución adicional al limpiar en escaleras. Para evitar lesiones personales o daños, y para evitar que se caiga la aspiradora, siempre coloque la aspiradora en la parte inferior de una escalera o sobre el piso. No coloque la aspiradora sobre escaleras o muebles, ya que esto podría causar lesiones o daños.

• No se debe utilizar para acicalar a una mascota.

NOTA: Asegúrese de que la aspiradora esté completamente ensamblada y que el contenedor de polvo esté vacío antes de usar la aspiradora. No use la aspiradora sin los filtros instalados.

Asegúrese de que la batería está completamente cargada y firmemente instalada en su lugar.

1. Presione el botón de ENCENDIDO / APAGADO. La pantalla se encenderá cuando esté encendida.



2. La aspiradora iniciará en Modo PISO DESNUDO con poder NORMAL de succión predeterminado en su primer uso.
3. Libere la empuñadura colocando un pie en la boquilla y tirando hacia atrás para cambiar la posición de la empuñadura.



USO DE SU ASPIRADORA VERTICAL INALÁMBRICA

4. Opera la aspiradora inclinando la manija atrás hacia ti y con la boquilla a ras de la superficie del piso.

5. Para modo de carga, presione el botón de alfombra/piso desnudo. ALFOMBRA Y PISO DESNUDO se iluminará para indicar el modo.

- Modo ALFOMBRA: para limpieza profunda de alfombras con alta succión. Los cepillos giran cuando la aspiradora está en el modo ALFOMBRA.

- Modo PISO DESNUDO: para todo tipo de suelos y preserva el tiempo de ejecución. El cepillo giratorio gira lentamente cuando la aspiradora está en el modo PISO DESNUDO.

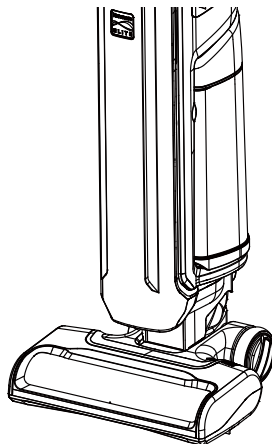
6. Para cambiar la potencia de succión, presione el botón de potencia de succión. Se iluminarán ECONOMIA, NORMAL o AUMENTAR para indicar la potencia de succión.

NOTA: Esta aspiradora es capaz de recordar su modo de funcionamiento anterior y su potencia de succión. Cuando la aspiradora se enciende nuevamente, comenzará en el modo de operación y potencia de succión anteriores.

7. Al aspirar, el estado de la batería indica el nivel de la batería. Cuando el estado de la batería es inferior al 10 % y el anillo exterior parpadea en rojo, se sugiere recargar la aspiradora. Consulte las instrucciones de carga en CARGA (página 14).

8. Al terminar de aspirar, presione el botón de ENCENDIDO / APAGADO. Devuelva la empuñadura a la posición recta empujando la empuñadura hacia adelante hasta que el cuerpo de la aspiradora quede bloqueado en posición. Desconecte la batería de la aspiradora.

NOTA: El cepillo de rodillo no gira en ningún modo si la empuñadura está en posición totalmente vertical.



PRECAUCIÓN

No deje que la aspiradora permanezca en un solo lugar, sin importar la cantidad de tiempo, cuando el cepillo de rodillo esté girando. Podría dañar la alfombra.



PRECAUCIÓN

Seleccione el modo recto al usar esta aspiradora. Un ajuste incorrecto podría dañar al piso.

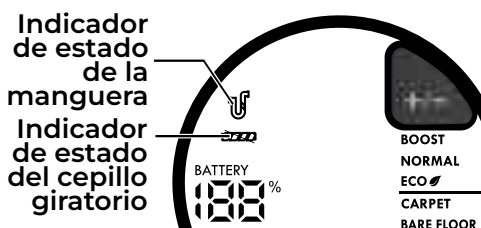
USO DE SU ASPIRADORA VERTICAL INALÁMBRICA

INDICADOR DE ESTADO DEL CEPILLO E INDICADOR DE ESTADO DE LA MANGUERA

Cuando haya un atasco en el cepillo, el indicador de estado del cepillo parpadeará en rojo.

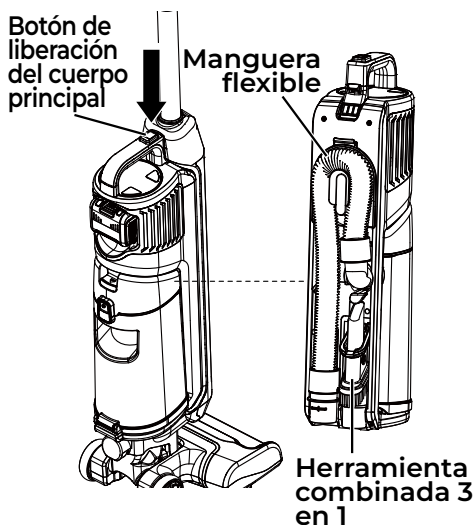
Cuando hay un atasco en el conducto de aire o los filtros de espuma y fieltro están demasiado sucios, el indicador de estado de la manguera parpadeará en rojo.

Indicadores	Estado
Indicador de Estado del Cepillo Giratorio	Hay un atascamiento en el área del cepillo de rodillo. Apague la aspiradora y desconecte la batería. Quite cualquier bloqueo de la boquilla.
Indicador de Estado de la Manguera	Hay un atasco en el conducto de aire o los filtros de espuma y fieltro están demasiado sucios. Apague la aspiradora y desconecte la batería. Elimine posibles obstrucciones en la zona de la manguera de conexión, especialmente debajo de la cubierta transparente (página 30). Revise y saque cualquier tapón de la manguera flexible. Limpie el filtro de espuma, filtro de fieltro o filtro de escape HEPA, si es necesario.



MODO ELEVACIÓN

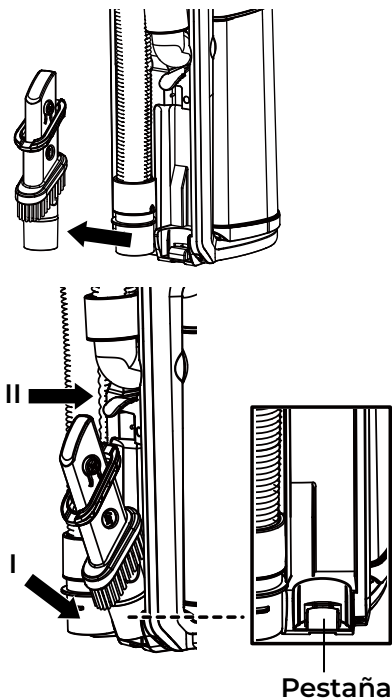
1. Coloque la aspiradora en posición de bloqueo recta.
2. Presione el botón de liberación del cuerpo principal para separar y elevar el cuerpo principal de la aspiradora de la boquilla motorizada para su transporte portátil. La manguera flexible y la herramienta combinada 3 en 1 se guardan dentro del cuerpo principal.



3. Quite la herramienta combinada 3 en 1 de la posición de almacenamiento.

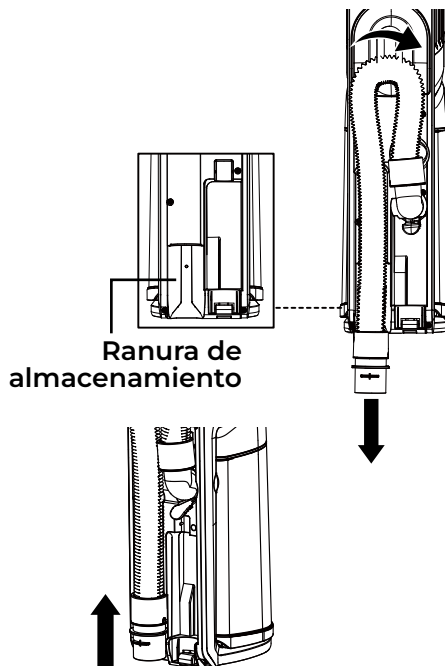
Para reinstalar la herramienta combinada, inserte la parte inferior de la herramienta en la pestaña de almacenamiento y luego presione la herramienta combinada en la posición de almacenamiento.

USO DE SU ASPIRADORA VERTICAL INALÁMBRICA

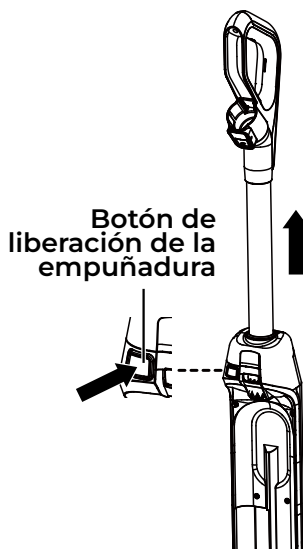


4. Retire el extremo abierto de la manguera flexible de su ranura de almacenamiento para liberar el extremo abierto del cuerpo principal.

Para volver a instalar, asegúrese de que el extremo abierto de la manguera flexible esté correctamente enganchado en la ranura de almacenamiento.

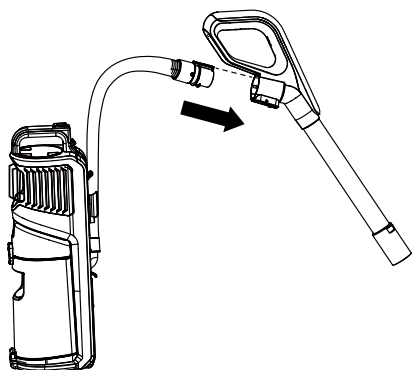


5. Presione el botón de liberación de la empuñadura y levante la empuñadura.

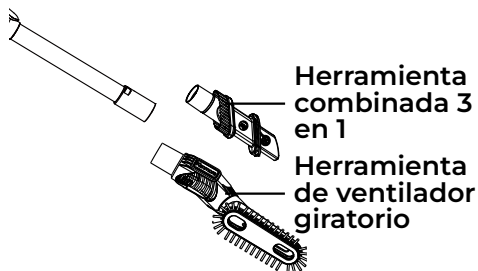


USO DE SU ASPIRADORA VERTICAL INALÁMBRICA

6. Inserte el extremo de la manguera en la conexión superior de la manguera hasta escuchar un "clic".



7. Elija el accesorio deseado e insértelo en la empuñadura.

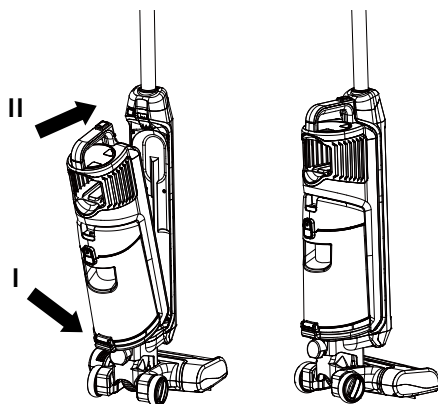


NOTA: El accesorio también se puede insertar directamente en la manguera si es necesario.

8. Presione el botón de ENCENDIDO / APAGADO para encender la aspiradora.
9. Tras haber terminado de aspirar, presione el botón de encendido/apagado. Desconecte la batería de la aspiradora.

IMPORTANTE: Asegúrese de volver a instalar el extremo de la manguera en la ranura de almacenamiento original antes de usar la aspiradora en modo vertical.

10. Reinstale el cuerpo principal en la aspiradora hasta que se escuche un clic.



! PRECAUCIÓN

Al usar accesorios, tenga cuidado de no estirar la manguera flexible más de la cuenta. Estirar la manguera más allá de su capacidad podría provocar que la aspiradora se vuelque.

! PRECAUCIÓN

NO tire de la manguera para mover la aspiradora dentro de la habitación. El mal uso puede producir daños a la propiedad o lesiones personales.

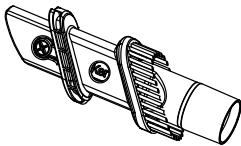
ACCESORIOS

Todas las herramientas accesorias se pueden insertar en la empuñadura o en la manguera flexible.

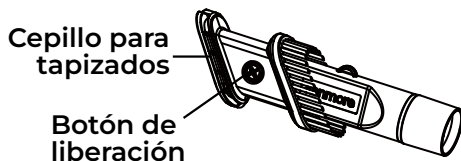
HERRAMIENTA COMBINADA 3 EN 1

La herramienta combinada 3 en 1 se puede fijar al extremo de la empuñadura y de la manguera. Inserte la herramienta en el extremo abierto de la empuñadura o la manguera.

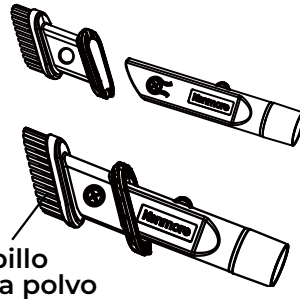
Utilice la herramienta combinada 3 en 1 en modo herramienta para hendidas para limpiar espacios angostos en muebles, entre cojines y en escaleras. Consulte la TABLA DE USO DE ACCESORIOS (página 21).



Ajusta la herramienta combinada en el modo de cepillo para tapizados presionando el botón de liberación y deslizando el cepillo para tapizados hasta el final de la herramienta combinada. Use en modo de cepillo para tapizados para limpiar superficies de tela como tapices de sofás. Consulte la TABLA DE USO DE ACCESORIOS (página 21).



Presione el botón de liberación para sacar el cepillo para limpiar polvo. Coloque la herramienta combinada en modo cepillo para limpiar polvo como se indica. Use en modo cepillo para limpiar polvo para limpiar superficies holgadas, como cortinas. Consulte la TABLA DE USO DE ACCESORIOS (página 21).



Para volver la herramienta combinada al modo de herramienta para grietas, presione el botón de liberación y deslice la herramienta de cepillo hacia abajo.

HERRAMIENTA DE VENTILADOR GIRATORIO

El ventilador giratorio se puede fijar a la empuñadura o vara para limpiar sobre el nivel de la cabeza en muebles tales como gabinetes y estantes. Consulte la TABLA DE USO DE ACCESORIOS (página 21).

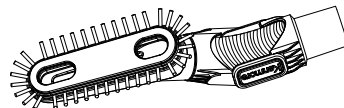






TABLA DE USO DE ACCESORIOS

ÁREA DE LIMPIEZA ✓ = Aplicable							
ACCESORIO	Mueble*	Entre cojines*	Cortinas*	Escaleras		Pisos	
				Alfombra	Liso		
HERRAMIENTA PARA HENDIDURAS 	✓	✓		✓	✓	✓	
CEPILLO PARA POLVO 	✓		✓	✓	✓	✓	
CEPILLO PARA TAPIZADO 	✓		✓				
VENTILADOR GIRATORIO 	✓						

***Limpie siempre los accesorios antes de usarlos en telas.**

DESEMPEÑO/CARACTERÍSTICAS DE SEGURIDAD

PROTECTOR TÉRMICO

Esta aspiradora tiene un protector térmico que se activa automáticamente para proteger al motor de succión de la aspiradora. Si un tapón evita el paso normal del aire hacia el motor, el protector térmico apaga el motor automáticamente. Esto deja enfriar el motor a fin de evitar posibles daños a la aspiradora.

Para restablecer el protector térmico: Apague la aspiradora y desconecte el paquete de baterías para dejar enfriar la aspiradora y que el protector térmico se restablezca.



PRECAUCIÓN

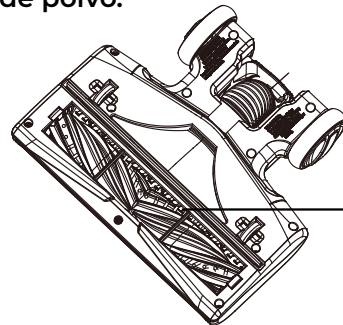
Vuelva a colocar siempre la aspiradora en posición recta antes de usar la manguera y los accesorios. No seguir esta indicación puede provocar sobrecalentamiento del motor del cepillo de rodillo y que se activen los protectores térmicos.

Revise y saque los tapones, vacíe el contenedor de polvo si fuese necesario. Además, compruebe y limpie los filtros tapados. Espere aproximadamente 50 minutos antes de reencender la aspiradora.

CEPILLO DE RODILLO HAIR ELIMINATOR®

Para lograr el máximo desempeño, la boquilla motorizada posee un cepillo de rodillo hair eliminator®, el cual

evita la acumulación de pelos, hebras y otros sedimentos en el cepillo. Para quitar cualquier pelo enrollado en el cepillo, siga aspirando dejando que el cepillo elimine automáticamente los pelos y los envíe al contenedor de polvo.



Dientes de peine



PRECAUCIÓN

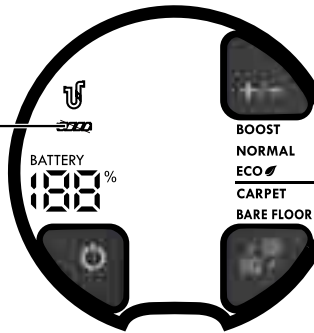
¡Piezas móviles! Para reducir el riesgo de lesiones personales, **NO** toque el cepillo de rodillo mientras la aspiradora esté encendida. Tocar el cable de rodillo mientras está girando puede cortar, golpear o provocar otras lesiones.

RESTABLECIMIENTO DEL CEPILLO DE RODILLO

Para evitar daños al motor por atascos, el cepillo de rodillo incorpora una protección contra sobrecargas. Si el cepillo de rodillo encuentra un atasco, reducirá la velocidad o se detendrá por completo. En tales casos, el protector contra sobrecarga apaga automáticamente el motor del cepillo de rodillo (indicado por una luz roja en la pantalla) mientras la aspiradora continúa aspirando.

DESEMPEÑO/CARACTERÍSTICAS DE SEGURIDAD

Indicador de Estado del Cepillo Giratorio



Para corregir el problema:

Apague la aspiradora y desconecte la batería. Quite las obstrucciones, luego vuelva a instalar el paquete de baterías y vuelva a encender la aspiradora.

El indicador de estado del cepillo giratorio de la pantalla de visualización estará apagado.

Si el problema persiste, contacte a la línea de ayuda de la aspiradora para obtener ayuda.

MANTENIMIENTO Y CUIDADO DE LA ASPIRADORA

Siga siempre todas las precauciones de seguridad al realizar mantenimiento a la aspiradora.



ADVERTENCIA

Riesgo de descarga eléctrica y lesiones personales

Desconecte la batería antes de reparar o limpiar la aspiradora. No hacer esto podría provocar descargas eléctricas o lesiones personales provocadas por un encendido súbito de la aspiradora.



ADVERTENCIA

La boquilla motorizada posee dientes de peine afilados en su interior. **NO** toque los dientes del peine al reparar o limpiar la aspiradora o podría provocar lesiones personales.

LIMPIEZA DEL EXTERIOR Y DE LOS ACCESORIOS

1. Apague y desconecte la batería de la aspiradora. **NO** deje caer agua sobre la aspiradora.
2. Para limpiar el exterior o para reducir la electricidad estática y la obstrucción de polvo, limpie la superficie exterior con un paño limpio y suave que se haya empapado con una solución de detergente líquido suave y agua para luego haberse estrujado. Seque después de limpiar.

NOTA: Lave los accesorios en agua tibia jabonosa, enjuague y seque al aire. No limpiar en lavavajillas.



PRECAUCIÓN

No use accesorios si están mojados. Los accesorios usados en zonas sucias, tales como bajo un refrigerador, no deben usarse en otras superficies sino hasta haberlas lavado. Podrían dejar marcas.

ALMACENAMIENTO PROLONGADO DE LA ASPIRADORA

1. Coloque los accesorios en la base de carga de ser necesario (consulte la página 12).
2. Desconecte la batería de la aspiradora antes de un almacenamiento prolongado.
3. Guarde la aspiradora en un área seca en interior, en el piso con la empuñadura trabada en posición vertical.

VACIADO DEL CONTENEDOR DE POLVO

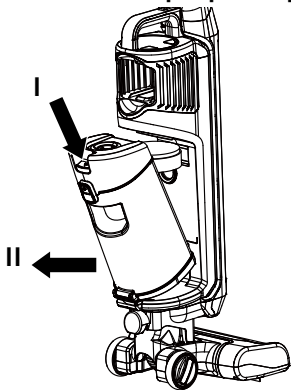


ADVERTENCIA

Apague y desconecte la batería de la aspiradora antes de realizar cualquier reparación o limpieza en la aspiradora.

NOTA: Para obtener el máximo rendimiento, vacíe el contenedor de polvo después de cada uso. Jamás use la aspiradora sin el contenedor de polvo y filtros instalados.

1. Presione el botón de liberación del contenedor de polvo para quitarlo del cuerpo principal.



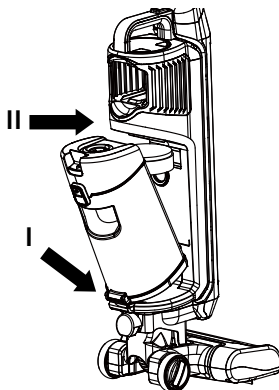
2. Quite cualquier obstrucción que pueda haber en el puerto de succión.



3. Coloque el contenedor de polvo sobre un receptáculo de desechos. Presione el botón de liberación de polvo para abrir la tapa del contenedor de polvo y dejar caer su contenido sobre un receptáculo de desechos.



4. Agite el contenedor de polvo para soltar cualquier sedimento que pueda estar colgando en el prefiltro.
5. Reinstale e inserte el contenedor de polvo en las ranuras de la parte inferior de la unidad principal. Luego, presiona el recipiente para el polvo nuevamente en la ranura bloqueada hasta que escuches que hace clic en su lugar.



LIMPIEZA DEL PREFILTRO

El prefiltro se encuentra dentro del contenedor de polvo. Limpie el prefiltro según sea necesario para optimizar la potencia de succión.

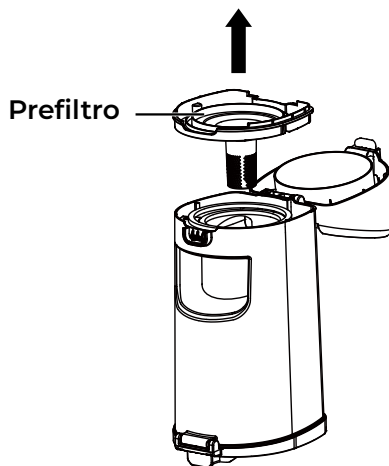
1. Saque el contenedor de polvo como se indica en la sección **VACIADO DEL CONTENEDOR DE POLVO** (página 25).

NOTA: Asegúrese de que el contenedor de polvo esté libre de sedimentos antes de abrirlo.

2. Presione el botón de liberación de la tapa del contenedor de polvo y ábrala.



3. Levante el prefiltro del contenedor de polvo. Limpie el prefiltro golpeando suavemente un recipiente de desechos. Para garantizar la mejor limpieza posible, golpéelo desde varios ángulos.



4. Reinstale el contenedor de polvo en el cuerpo principal. Consulte las instrucciones de instalación de la sección **VACIADO DEL CONTENEDOR DE POLVO** (página 25).

LIMPIEZA DE FILTROS DE FIELTRO Y ESPUMA

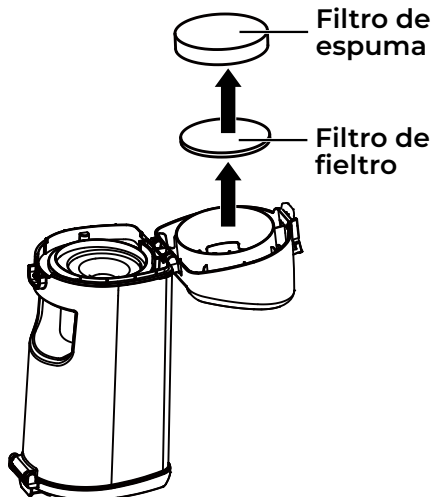
IMPORTANTE: Limpie los filtros cada 1 mes. Los filtros de espuma pueden parecer sucios después del uso - esto es normal.

Se recomienda limpiar los filtros de espuma y fieltro usando agua fría todos los meses.

NOTA: Cuando limpiar los filtros ya no restaure la potencia de succión de la aspiradora, o cuando los filtros se hayan gastado o dañado, cámbielos. Para comprar filtros, llame al 1-877-531-7321 (Estados Unidos) / 1-844-608-3081 (Canadá).

Limpie y reemplace regularmente los filtros para mantener la potencia de succión de la aspiradora a un nivel óptimo.

1. Saque el contenedor de polvo como se indica en la sección VACIADO DEL CONTENEDOR DE POLVO (página 25).
2. Abra la tapa del contenedor de polvo. Saque los filtros de fieltro y espuma de la tapa.



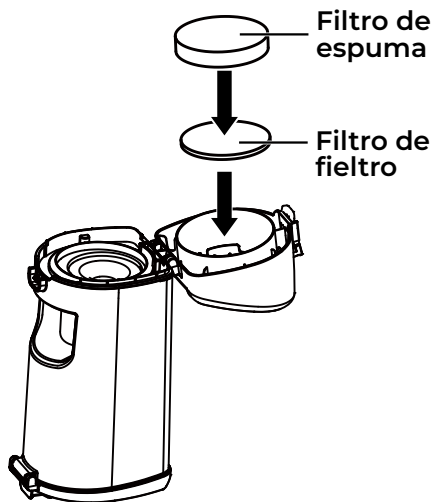
3. Lave usando solo agua fría, NO use detergentes o jabón. Estruje a mano y deje secar al aire. Deje secar todos los filtros durante 24 horas antes de volver a colocarlos en la aspiradora.

NOTA: NO usar sin los filtros de espuma y fieltro instalados.

NO lavar en lavavajillas.

NO instale los filtros de espuma y de fieltro si están mojados.

4. Reinstale los filtros de espuma y fieltro en la tapa del contenedor de polvo.



5. Reinstale el contenedor de polvo. Consulte VACIADO DEL CONTENEDOR DE POLVO (página 25).

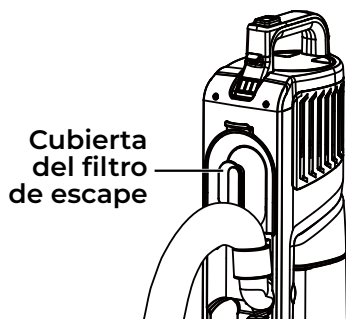
LIMPIEZA DEL FILTRO DE ESCAPE DE MEDIOS HEPA

IMPORTANTE: Limpie el filtro cada 1 mes. No utilice la aspiradora sin el filtro.

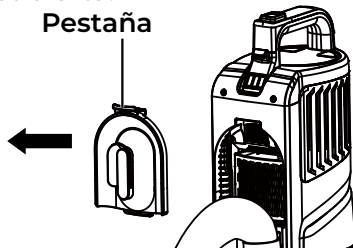
Se recomienda limpiar el filtro de escape de medios HEPA con agua fría todos los meses.

NOTA: Cuando limpiar el filtro ya no restaure la potencia de succión de la aspiradora, o cuando el filtro se haya gastado o dañado, cámbielo. Para comprar el filtro de escape, llame al 1-877-531-7321 (Estados Unidos) / 1-844-608-3081 (Canadá).

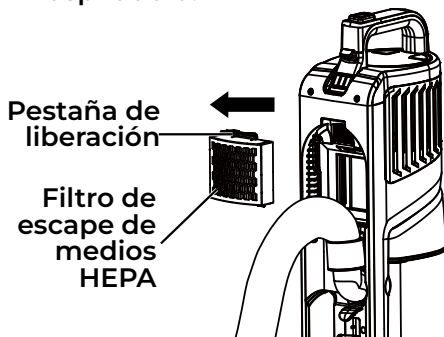
1. Quite el cuerpo principal de vacío como se indica en MODO ELEVACIÓN (página 17).
2. Saque el extremo abierto de la manguera flexible del cuerpo principal para mostrar la cubierta del filtro de escape.



3. Quite la cubierta del filtro de escape presionando la pestaña de la parte superior de la cubierta.



4. Presione la pestaña de liberación y quite el filtro de escape de medios HEPA del cuerpo principal de la aspiradora.



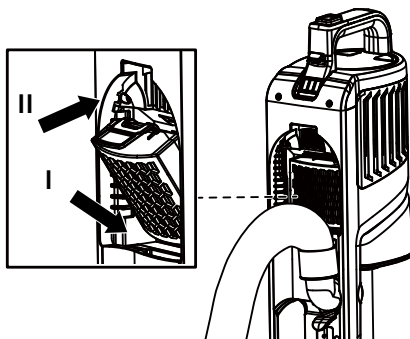
5. Lave usando solo agua fría. NO use detergente ni jabón. Déjelo secar al aire durante 24 horas antes de volver a colocarlo en la aspiradora.

NOTA: NO usar sin el filtro de escape instalado.

NO lavar en lavavajillas.

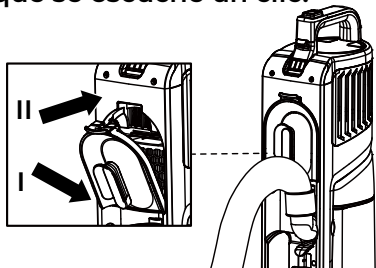
NO instale el filtro si está mojado.

6. Reinstale el filtro de escape de medios HEPA en el cuerpo principal de la aspiradora hasta escuchar un sonido de clic.



LIMPIEZA DEL FILTRO DE ESCAPE DE MEDIOS HEPA

7. Reinstale la cubierta del filtro de escape en el cuerpo principal de la aspiradora hasta que se escuche un clic.



NOTA: Asegúrese de instalar correctamente la cubierta del filtro de escape.

CÓMO QUITAR OBSTRUCCIONES



ADVERTENCIA

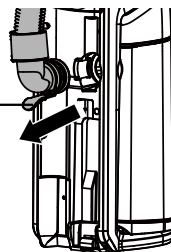
Desconecte la batería antes de quitar obstrucciones. El no seguir estas indicaciones puede provocar lesiones personales o descargas eléctricas.

COMPROBACIÓN DE OBSTRUCCIONES EN LA MANGUERA FLEXIBLE

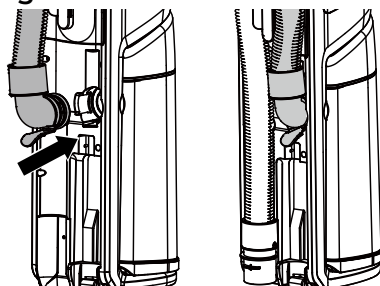
Cuando hay un atasco en el conducto de aire, el indicador de estado de la manguera en la pantalla parpadeará en rojo. Revise que la manguera no tenga tapones.

1. Quite el cuerpo principal de vacío como se indica en MODO ELEVACIÓN (página 17).
2. Quite el extremo abierto de la manguera flexible del cuerpo principal.
3. Retira el extremo de bloqueo de la manguera del cuerpo principal presionando el seguro de liberación de manguera.

Seguro de liberación de manguera



4. Revise y saque cualquier tapón de la manguera flexible.
5. Reinstale el extremo de bloqueo de la manguera en la aspiradora hasta que se oiga un clic. Reinstale el extremo abierto de la manguera en su ranura de almacenamiento original.



CÓMO QUITAR OBSTRUCCIONES

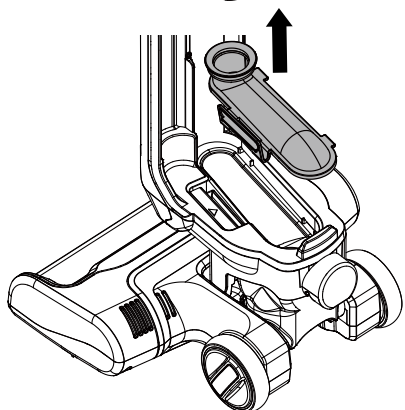
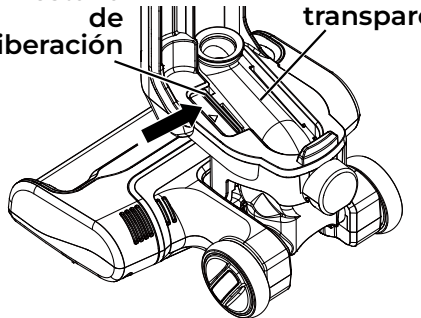
COMPROBACIÓN DE OBSTRUCCIONES EN LA MANGUERA DE CONEXIÓN

1. Quite el cuerpo principal de vacío como se indica en MODO ELEVACIÓN (página 17).
2. La cubierta transparente sobre la manguera de conexión le permite comprobar las obstrucciones fácilmente. Retírelo presionando la pestaña de liberación y tire hacia fuera.

NOTA: Elimine cualquier bloqueo aquí cuando aparezca la obstrucción debajo de la cubierta transparente.

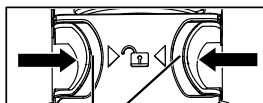
Pestaña de liberación

Cubierta transparente

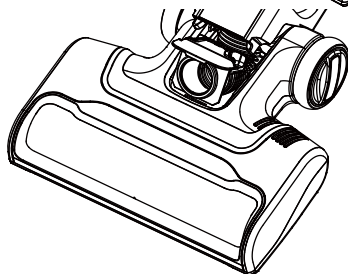
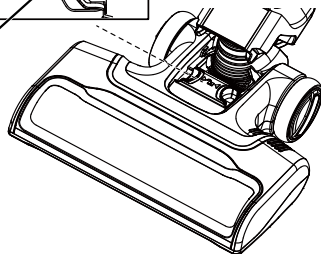


3. Suelte la empuñadura de la aspiradora.

4. Apriete ambos pestillos de bloqueo para liberar el extremo de la manguera de conexión.

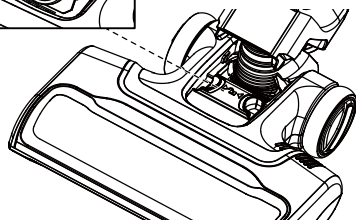
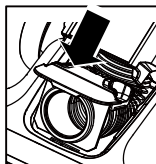


Pestillos de bloqueo



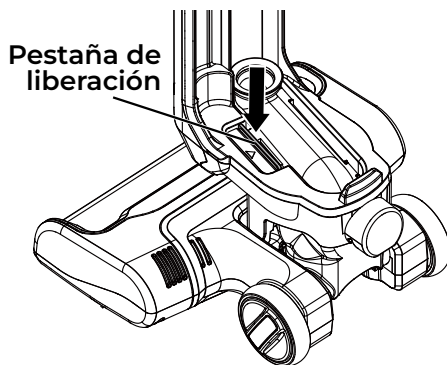
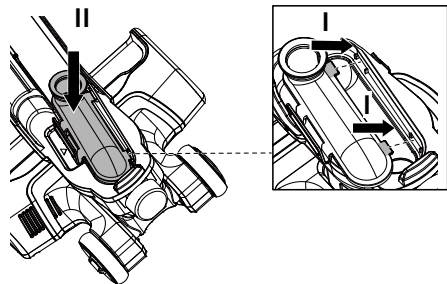
5. Revise y quite cualquier obstrucción de la manguera de conexión.

6. Vuelva a colocar el extremo de la manguera de conexión presionándolo hacia abajo hasta que se oiga un clic.



CÓMO QUITAR OBSTRUCCIONES

7. Devuelva la empuñadura a la posición totalmente vertical.
8. Vuelva a instalar la cubierta transparente. Primero alinee las dos pestañas pequeñas de la cubierta con las ranuras de posición como se muestra. Después presione hacia abajo de la cubierta transparente hasta que se escuche un clic. Presione en el área de la pestaña para asegurarse de que esté asegurada correctamente. Se escuchará un sonido de clic.



RESOLUCIÓN DE PROBLEMAS

Revise estas soluciones tipo hágalo usted mismo para resolver problemas de rendimiento menores. Cualquier reparación necesaria que no sean los procedimientos de mantenimiento indicados en esta guía de uso y cuidado se deben realizar mediante un agente de servicio calificado.



ADVERTENCIA

Desconecte la batería antes de realizar cualquier trabajo de mantenimiento en la aspiradora. El no seguir estas indicaciones puede provocar lesiones personales o descargas eléctricas.

PROBLEMA	CAUSA PROBABLE	SOLUCIÓN
La aspiradora no funciona.	La batería puede estar agotada.	Cargue la batería como se indica en la página 13-14.
	Se está utilizando un cargador incorrecto.	Asegúrese de utilizar solamente la base de carga o el adaptador de carga suministrados con su producto.
	El cuerpo principal de vacío no está instalado correctamente.	Retire el cuerpo principal de la aspiradora y vuelva a colocarlo asegurándose de que está bien sujeto.
	La aspiradora está sobrecalentada.	Apague la aspiradora y deje enfriar la aspiradora durante 50 minutos.
	El motor está dañado.	Llame al 1-877-531-7321 (Estados Unidos) / 1-844-608-3081 (Canadá) para obtener ayuda.
Recolección de suciedad ineficiente.	El contenedor de polvo no está instalado correctamente.	Revise que el contenedor de polvo esté bien instalado y asegúrese de que se conecte firmemente.
	Contenedor de polvo lleno o tapado.	Vacíe el contenedor de polvo (página 25).
	Hay un tapón en la manguera flexible o manguera de conexión de la aspiradora.	Revise y saque cualquier tapón. Siga las instrucciones de la página 29-31.
	La manguera o accesorios no están instalados correctamente.	Revise que la manguera y accesorios estén bien instalados y asegúrese de que se conecten firmemente.
	El filtro de espuma, filtro de fieltro o filtro de escape HEPA se debe limpiar o reemplazar.	Limpie o reemplace el filtro de espuma, filtro de fieltro o filtro de escape HEPA. Siga las instrucciones de limpieza del filtro de espuma, filtro de fieltro o filtro de escape HEPA indicadas en la página 27 o 28-29.
	La manguera flexible está gastada.	Cambie la manguera. Para comprar piezas, llame al 1-877-531-7321 (Estados Unidos) / 1-844-608-3081 (Canadá).

RESOLUCIÓN DE PROBLEMAS

Recolección de suciedad ineficiente.	La manguera de conexión está gastada.	Llame al 1-877-531-7321 (Estados Unidos) / 1-844-608-3081 (Canadá) para obtener ayuda.
	El cepillo de rodillo está gastado.	
Sale polvo de la aspiradora.	El contenedor de polvo está instalado incorrectamente.	Coloque correctamente el contenedor de polvo y hágalo calzar con firmeza en posición.
	El filtro de escape de medios HEPA está mal instalado.	Revise que el filtro de escape esté bien instalado. Siga las instrucciones de la página 28-29.
	El filtro de espuma, filtro de fieltro o filtro de escape HEPA está gastado o roto.	Revise y reemplace el filtro de espuma, filtro de fieltro o filtro de escape HEPA. Para comprar piezas, llame al 1-877-531-7321 (Estados Unidos) / 1-844-608-3081 (Canadá).
El cepillo de rodillo no gira.	La empuñadura está en posición totalmente vertical.	Mueva la empuñadura desde la posición totalmente vertical.
	El cepillo de rodillo está atascado.	Quite la obstrucción. Siga las instrucciones de la página 22.
	El cepillo de rodillo no está instalado correctamente.	Llame al 1-877-531-7321 (Estados Unidos) / 1-844-608-3081 (Canadá) para obtener ayuda.
	La correa no está bien colocada.	
	La correa está gastada o rota.	
	Falla en la sección PCB de la boquilla motorizada.	
	El protector contra sobrecalentamiento de la boquilla motorizada está activado.	Espere a que la boquilla motorizada se enfríe y vuelva a encenderla.
El flujo de aire se restringe al usar accesorios; el sonido cambia.	La cubierta del filtro de escape está mal instalada.	Coloque correctamente la cubierta del filtro de escape y encájela firmemente en su sitio. Siga las instrucciones de la página 29.
	La vía aérea está bloqueada.	Revise y quite cualquier obstrucción y despeje la vía aérea. Siga las instrucciones de la página 29-31.
	Los accesorios en uso restringen el flujo de aire.	Revise que los accesorios no tengan pelusas, pelo de mascotas u otros sedimentos.

RESOLUCIÓN DE PROBLEMAS

La aspiradora se apaga sola.	La batería puede estar agotada.	Cargue la batería como se indica en la página 13-14.
	El protector térmico está activado.	Apague la aspiradora y desconecte la batería. Revise la vía aérea y el contenedor de polvo. Deje que la aspiradora se enfríe durante un mínimo de 50 minutos. Reinstale el paquete de baterías y encienda la aspiradora.
	El motor está dañado.	Llame al 1-877-531-7321 (Estados Unidos) / 1-844-608-3081 (Canadá) para obtener ayuda.
Indicador de estado del cepillo giratorio en la pantalla de visualización emite rojo.	Hay un atascamiento en el área del cepillo de rodillo.	Apague y desconecte la batería; luego, quite cualquier bloqueo en el área del cepillo de rodillo. Consulte la página 22.
	El cepillo de rodillo está gastado o roto.	Llame al 1-877-531-7321 (Estados Unidos) / 1-844-608-3081 (Canadá) para obtener ayuda.
La aspiradora no cargará.	El adaptador de carga no está insertado firmemente en el puerto de carga de la base de carga.	Asegúrese de que el adaptador de carga está completamente insertado en el puerto de carga de la base de carga y de que está correctamente enchufado a la toma de pared.
	Residuos acumulados en los contactos de carga metálicos del cuerpo principal y de la aspiradora.	Asegúrese de que no se acumulan residuos en los contactos de carga metálicos de la aspiradora y del cuerpo principal.
	El cuerpo principal de vacío no está instalado correctamente.	Retire el cuerpo principal de la aspiradora y vuelva a colocarlo asegurándose de que está bien sujeto.
	El estado de carga en la pantalla de visualización está dañado.	Llame al servicio al cliente para obtener ayuda.
	No hay corriente en el tomacorriente.	Revise los disyuntores. Sustituya el adaptador de carga.
	El adaptador de carga está dañado.	Sustituya el adaptador de carga. Llame al 1-877-531-7321 (Estados Unidos) / 1-844-608-3081 (Canadá) para obtener ayuda.
	La batería está dañada.	Sustituya la batería. Llame al 1-877-531-7321 (Estados Unidos) / 1-844-608-3081 (Canadá) para obtener ayuda.

SOMMAIRE

Avant utilisation de votre nouvel aspirateur	1
Liste du contenu	1
Consignes Importantes De Sécurité.....	2-6
Garantie de l'Aspirateur	7
Pièces et Fonctionnalités	8-11
Instructions de montage	12-15
Instructions d'utilisation.....	15-22
Caractéristiques de performance/sécurité	23-24
Entretien Et Soins De L'Aspirateur	24-32
Dépannage	33-35
Demande d'Assistance ou de Service	Couverture Arrière

AVANT UTILISATION DE VOTRE NOUVEL ASPIRATEUR

Veillez lire le présent Guide d'utilisation et d'entretien. Il vous sera utile pour monter et utiliser votre nouvel aspirateur Kenmore en toute sécurité et de la façon la plus efficace possible.

Pour de plus amples informations concernant l'entretien et l'utilisation de votre aspirateur, veuillez appeler le Service d'Aide En Ligne sur les Aspirateurs en composant le numéro : 1-877-531-7321 (États-Unis) / 1-844-608-3081 (Canada). Lorsque vous demandez des renseignements, vous devez disposer des numéros de modèle et de série complets du produit.

Les numéros de modèle et de série de votre aspirateur figurent sur la plaque signalétique apposée sur le produit. Notez le numéro de modèle et le numéro de série de votre nouvel aspirateur Kenmore dans l'espace ci-dessous.

Modèle N° _____

N° de série _____

Date d'achat _____

Veillez conserver en lieu sûr le présent manuel ainsi que votre ticket de caisse (reçu) afin de pouvoir vous y référer ultérieurement.

LISTE DU CONTENU

Votre ASPIRATEUR-BALAI SANS FIL KENMORE est emballé avec les pièces et composants suivants montés séparément dans le carton :

- | | |
|---|--------------------------------------|
| 1 Aspirateur-Balai Sans Fil (avec Electro-Brosse) | 1 Outil du ventilateur rotatif |
| 1 Manche | 2 Blocs-batteries |
| 1 Tuyau Flexible | 1 Base de chargement |
| 1 Outil À Usages Multiples 3 en 1 | 1 Adaptateur de charge |
| | 1 Guide D'Utilisation Et D'Entretien |

CONSIGNES IMPORTANTES DE SÉCURITÉ

VEUILLEZ LIRE L'INTÉGRALITÉ DES CONSIGNES CONTENUES DANS LE PRÉSENT GUIDE AVANT DE MONTER OU D'UTILISER VOTRE ASPIRATEUR.

⚠️ AVERTISSEMENT !

Votre sécurité est importante pour nous. Lors de l'utilisation d'un appareil électrique, des précautions de base doivent toujours être prises pour éviter les chocs électriques, les incendies et/ou les blessures graves, notamment les suivantes :

- Utilisez votre aspirateur uniquement de la manière décrite dans le présent Guide D'Utilisation Et D'Entretien. Utilisez exclusivement les accessoires recommandés par le fabricant.
- Assembler ou installer complètement l'aspirateur avant de l'utiliser.
- Ne pas utiliser ni charger cet appareil à l'extérieur ou sur des surfaces humides.
- Ne pas permettre que l'appareil soit utilisé comme un jouet. Soyez très attentif s'il est utilisé par des enfants ou si des enfants se trouvent à proximité. Ce produit n'est pas destiné à être utilisé par des enfants âgés de 12 ans ou moins. Pour éviter les blessures ou les dommages, tenez les enfants à l'écart du produit et ne les laissez pas mettre leurs doigts ou d'autres objets dans les ouvertures.
- Ne manipulez pas le bloc-batterie et le chargeur, y compris la fiche du chargeur ainsi que les bornes du chargeur lorsque vos mains sont mouillées.
- Ne pas utiliser un chargeur dont le cordon ou la fiche est endommagé. Si l'aspirateur, le chargeur ou le bloc-piles ne fonctionne pas comme il le devrait, s'il est tombé, s'il a été endommagé, s'il a été laissé à l'extérieur ou s'il est tombé dans de l'eau, cessez immédiatement de l'utiliser et composez le numéro : 1-877-531-7321 (États-Unis) / 1-844-608-3081 (Canada) pour obtenir de l'aide.
- Ne pas tirer ni porter le chargeur en utilisant le cordon. Ne pas utiliser celui-ci en guise de poignée ou pour fermer une porte et ne pas l'enrouler autour de bords coupants ou d'arêtes vives. Ne pas faire fonctionner l'aspirateur par dessus le cordon. Maintenez le cordon à l'écart de toutes surfaces chaudes.
- Ne pas débrancher le chargeur en tirant sur le cordon. Pour débrancher le chargeur, saisissez la fiche, pas le cordon.
- N'introduire aucun objet dans les orifices de l'appareil. Ne pas utiliser l'appareil si un orifice est bouché. Faites en sorte que les orifices ne soient pas encombrés de poussières,

CONSIGNES IMPORTANTES DE SÉCURITÉ

peluches, cheveux ou de toute autre objet susceptible de gêner la circulation de l'air.

- Maintenez vos cheveux, vêtements amples, doigts et toutes parties du corps à l'écart des orifices et des pièces mobiles.
- Faites très attention lorsque vous nettoyez des escaliers.
- Ne pas poser le produit sur des chaises, des tables, etc. Maintenez l'aspirateur sur le plancher.
- Ne pas utiliser l'aspirateur pour aspirer des liquides inflammables ou combustibles, tels que l'essence, ou l'utiliser dans des endroits où ces substances peuvent être présentes.
- Ne pas aspirer de matières en combustion ou qui dégagent de la fumée, telles que des cigarettes, des allumettes ou des cendres chaudes.
- Ne pas utiliser d'aspirateur sans le bac à poussières et/ou des filtres en place.
- Ne pas charger l'aspirateur et/ou le bloc-batterie à l'extérieur.
- Rangez l'aspirateur après utilisation afin d'éviter tout risque de trébuchement.
- Empêchez tout démarrage involontaire. Assurez-vous que l'interrupteur est en position d'arrêt avant de le prendre ou de transporter l'appareil.
- Ne pas essayer de charger l'appareil lorsque le commutateur est positionné sur On (Marche).
- Débranchez la batterie avant d'effectuer des réglages, de changer d'accessoires ou de ranger l'appareil. Ces mesures préventives réduisent le risque de démarrage accidentel de l'appareil.
- Rechargez uniquement avec le chargeur spécifié par le fabricant. Un chargeur adapté à un type de batterie peut créer un risque d'incendie lorsqu'il est utilisé avec un autre type de batterie.
- À utiliser exclusivement avec le chargeur XIAMEN XDROID XZZ700-1000G1.
- N'utilisez les appareils qu'avec les blocs-batteries spécifiquement prévus à cet effet. L'utilisation de tout autre bloc-batterie peut entraîner un risque de blessure et d'incendie.
- À utiliser exclusivement avec le bloc-batterie LB1024.
- Lorsque le bloc-batterie n'est pas utilisé, le tenir à l'écart d'autres objets métalliques, tels que trombones, pièces de monnaie, clés, clous, vis ou autres petits objets métalliques, susceptibles d'établir une connexion d'une borne à l'autre. La mise en court-circuit des bornes de la batterie peut provoquer des brûlures ou un incendie.
- Dans des conditions abusives, du liquide peut être éjecté de la batterie ; évitez tout contact. En cas de contact accidentel, rincez la zone affectée avec de l'eau. Si

CONSIGNES IMPORTANTES DE SÉCURITÉ

- le liquide entre en contact avec les yeux, consultez un médecin.
- Le liquide éjecté de la batterie peut provoquer des irritations ou des brûlures.
 - Ne pas utiliser une batterie ou un appareil qui est endommagé ou modifié. Les batteries endommagées ou modifiées peuvent avoir un comportement imprévisible entraînant des risques d'incendie, d'explosion ou de blessures.
 - Ne pas plonger l'aspirateur, l'adaptateur de charge ou les batteries dans l'eau ou dans tous autres liquides.
 - Mettez toujours l'aspirateur hors tension avant de brancher ou de débrancher le corps principal de l'aspirateur.
 - Nettoyez toujours le bac à poussière après avoir aspiré des nettoyants pour tapis ou des désodorisants, des poudres et des poussières fines. Ces produits obstruent les filtres, réduisent le débit d'air et peuvent endommager l'aspirateur. Si vous ne nettoyez pas le godet à poussière, vous risquez d'endommager l'aspirateur de façon permanente.
 - Rangez l'aspirateur sans fil à l'intérieur. Rangez l'aspirateur après utilisation pour éviter les accidents.
 - Maintenez l'aspirateur en mouvement sur la surface de la moquette à tout moment pour éviter d'endommager les fibres de la moquette.
 - Ne pas utiliser l'appareil dans un espace clos où sont présentes des vapeurs émanant de peinture, de diluant à peinture, de substances antimites, de poussières inflammables ou de toutes autres matières explosives ou toxiques.
 - Ne pas recueillir d'objets durs ou tranchants tels que du verre, des clous, des vis ou des pièces de monnaie qui risquent d'endommager l'aspirateur.
 - Afin d'éviter de générer une chaleur excessive et d'endommager l'appareil ou les piles, ne faites pas fonctionner l'aspirateur en cours de charge.
 - Ne pas exposer un bloc-piles ou appareil au feu ou à des températures excessives. Une exposition au feu ou à une température supérieure à 130 °C (265 °F) risque de provoquer une explosion.
 - Observez toutes les instructions de chargement et ne chargez pas le bloc-batterie ou l'appareil en dehors de la plage de température spécifiée dans les instructions. Une charge incorrecte ou à des températures situées en dehors de la gamme indiquée peut endommager la batterie et augmenter les risques d'incendie.
 - Bien qu'il n'existe aucun risque d'électrocution émanant des bornes électriques situées sur l'aspirateur, une brûlure peut

CONSIGNES IMPORTANTES DE SÉCURITÉ

survenir lors de l'insertion d'objets métalliques dans les zones des bornes. Les bornes de l'aspirateur doivent toujours être exemptes d'objets.

- Rangez le chargeur à l'intérieur dans un endroit frais et sec, à l'abri des intempéries afin de prévenir tout risque d'électrocution et/ou d'éviter d'endommager l'aspirateur.
- Tout apport de changement ou de modification à cet appareil qui n'est pas approuvé expressément par la partie responsable de la conformité peut annuler le droit de l'utilisateur d'utiliser l'appareil.
- Il vous incombe de veiller à ce que votre aspirateur ne soit pas utilisé par des personnes qui ne sont pas en mesure de l'utiliser correctement.
- Faites effectuer l'entretien par un réparateur qualifié en utilisant uniquement des pièces de rechange identiques. Cette démarche permet d'assurer la sécurité du produit.
- Ne pas modifier ni tenter de réparer l'appareil ou le bloc-batterie (le cas échéant) sauf ainsi qu'indiqué dans les instructions d'utilisation et d'entretien.
- Cet appareil est conçu pour un usage domestique exclusivement!



AVERTISSEMENT

Afin de réduire tous risques d'électrocution, ne pas utiliser l'appareil à l'extérieur ni sur des surfaces humides.

Mise au rebut du produit

Ce produit contient un bloc batterie à Lithium-ion formulé à partir de matériaux néfastes pour l'environnement. Ce produit doit être mis au rebut convenablement avec toutes les précautions nécessaires pour l'environnement. Ne jetez pas le produit avec vos déchets ménagers. Contactez les autorités locales de gestion des déchets pour obtenir des informations concernant les options de recyclage ou de mise au rebut disponibles.



Li-ion

VEUILLEZ RECYCLER
OU METTRE AU REBUT
CONFORMÉMENT AUX
RÉGLEMENTATIONS
FÉDÉRALES ET LOCALES.



AVERTISSEMENT

Tout changement ou toute modification non expressément approuvé par la partie responsable de la conformité peut annuler l'autorisation de l'utilisateur à utiliser l'appareil.

REMARQUE : Cet appareil a été testé et respecte les limites prévues pour un appareil numérique de classe B, conformément à la section 15 du règlement FCC. Ces limites

CONSIGNES IMPORTANTES DE SÉCURITÉ

sont conçues pour assurer une protection raisonnable contre les interférences nuisibles dans des bâtiments à vocation résidentielle.

Cet équipement génère, utilise et peut émettre de l'énergie de fréquence radio, et s'il n'est pas installé et utilisé conformément aux instructions, il peut causer des interférences préjudiciables pour les communications radio. Cependant, nous ne pouvons garantir qu'aucun brouillage ne se produira dans une installation particulière.

Si cet appareil produit des interférences préjudiciables lors de réception radio ou télévisée

qui peuvent être détectées en allumant et en éteignant l'appareil, l'utilisateur est prié de les supprimer d'une ou de plusieurs manières :

- Réorientez ou déplacez l'antenne de réception.
- Augmentez la distance de séparation entre l'appareil et le récepteur.
- Branchez l'appareil sur une prise reliée à un autre circuit que celui sur lequel le récepteur est connecté.
- Consultez le revendeur ou un technicien radio/TV expérimenté pour obtenir de l'aide.

VEUILLEZ CONSERVER LES PRÉSENTES CONSIGNES

Un bon montage et une utilisation en toute sécurité de votre aspirateur relèvent de votre responsabilité. Votre aspirateur est conçu pour un **Usage Domestique**. Lisez attentivement le présent guide d'utilisation et d'entretien pour connaître les consignes de sécurité et d'utilisation importantes qu'il contient. Le présent guide contient des consignes de sécurité sous des symboles d'avertissement et de mise en garde.

Le système AllergenSeal™ vous indique que cet aspirateur piège 99,97 % de la poussière et des particules pouvant atteindre 0,3 micron à l'intérieur de votre aspirateur, les empêchant ainsi de se retrouver dans l'air que vous respirez.

GARANTIE DE L'ASPIRATEUR

GARANTIE LIMITÉE

PENDANT UN AN à compter de la date de vente (ou, pour les livraisons dans l'État de Californie, un an à compter de la date de livraison), ce produit est garanti contre tout défaut de matériau ou de fabrication.

MUNI D'UNE PREUVE DE VENTE, tout produit défectueux peut être retourné au revendeur aux fins de remplacement gratuit.

La marque Kenmore est utilisée sous licence. Adressez toutes les demandes de service sous garantie en composant le numéro : 1-877-531-7321 (États-Unis) / 1-844-608-3081 (Canada).

Sont exclus de la garantie les filtres ou les courroies, qui sont des pièces à usage unique susceptibles de s'user durant la période de garantie des suites d'un usage normal.

La présente garantie sera nulle et non avenue en cas d'utilisation éventuelle de ce produit à toutes autres fins que personnelles et privées. La présente garantie vous accorde des droits spécifiques légaux, mais vous pouvez également avoir d'autres droits qui varient selon les États.

Cleva North America, Inc., Greenville SC 29607

PIÈCES ET FONCTIONNALITÉS

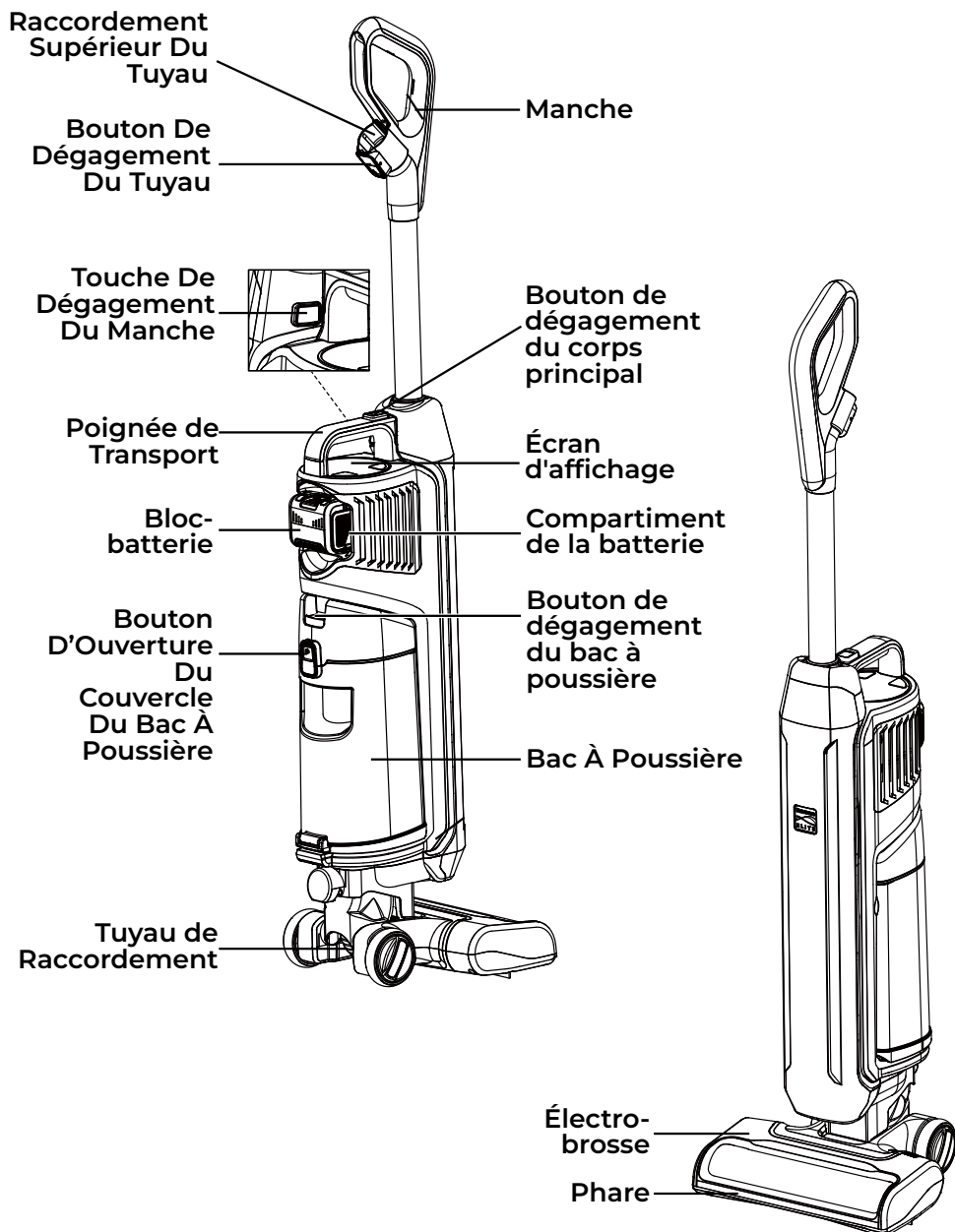
Il est important de connaître les pièces ainsi que les fonctionnalités de votre aspirateur afin d'en assurer une utilisation correcte et en toute sécurité. Examinez-les avant d'utiliser votre aspirateur.

PIÈCES DE RECHANGE

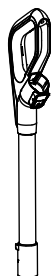
Élément	Pièce N° (États-Unis)	Pièce N° (Canada)
Filtre en mousse	561116101	561116101
Filtre en Feutre	561116102	561116102
Filtre d'Évacuation À Cartouche HEPA	561116103	561116103
Manche	561116104	561116104
Tuyau Flexible	561116105	561116105
Outil À Usages Multiples 3 en 1	561116106	561116106
Outil du ventilateur rotatif	561060176	561060176
Bloc-batterie	561116109	561116109
Base de chargement	561116110	561116110
Adaptateur de charge	561116111	561116111

Pour passer commande d'une pièce de rechange, veuillez composer le numéro : 1-877-531 7321 (États-Unis) / 1-844-608-3081 (Canada).

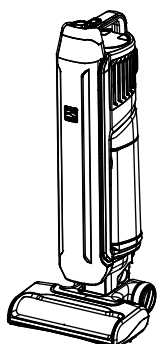
PIÈCES ET FONCTIONNALITÉS



PIÈCES ET FONCTIONNALITÉS



Manche



Corps principal



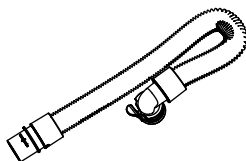
Bloc-batterie (X2)



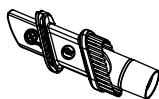
Base de chargement



Adaptateur de charge



Tuyau Flexible
(Rangé à l'intérieur du corps principal)

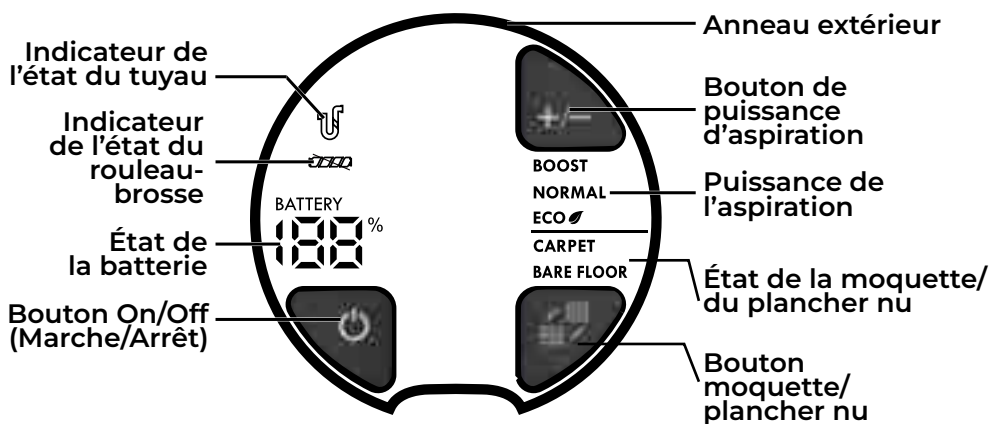


Outil À Usages Multiples 3 en 1
(Rangé à l'intérieur du corps principal)



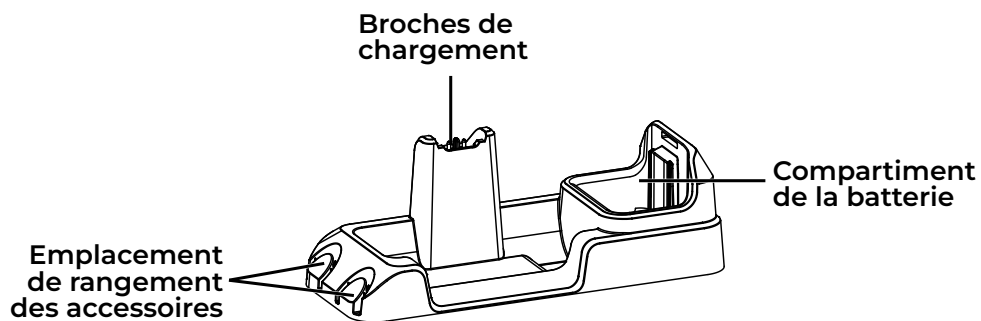
Outil du ventilateur rotatif

ÉCRAN D'AFFICHAGE



PIÈCES ET FONCTIONNALITÉS

BASE DE CHARGEMENT



INSTRUCTIONS DE MONTAGE



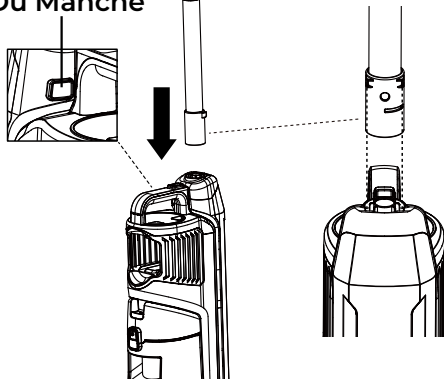
Veillez porter une attention particulière à ces boîtes d'alerte et suivre les instructions données. Les AVERTISSEMENTS vous alertent sur les dangers tels que les risques d'incendie, d'électrocution, de brûlures et de blessures corporelles. Les MISES EN GARDE vous alertent sur des risques tels que blessures corporelles et/ou dommages matériels.

Avant de monter l'aspirateur, consultez la **LISTE DU CONTENU** (page 1). Utilisez ladite liste afin de vous assurer de la réception de tous les composants de votre nouvel Aspirateur-balai sans fil Kenmore.

1. Insérez le manche dans le corps principal jusqu'à ce que vous entendiez un « déclic ».

Pour retirer : Appuyez sur la touche de dégagement du manche, puis tirez sur le manche vers le haut.

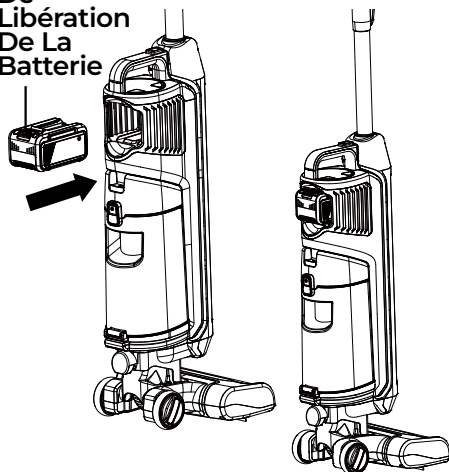
Touche De Dégagement Du Manche



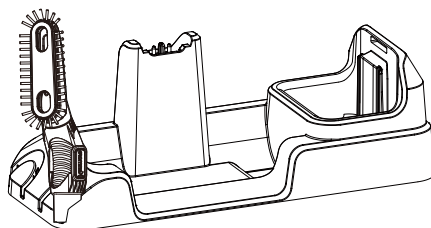
2. Insérez le bloc-batterie dans le compartiment jusqu'à ce que vous entendiez un "clic". Assurez-vous que le bloc-batterie s'enclenche fermement.

Pour retirer la batterie : Appuyez sur le bouton de libération de la batterie, saisissez fermement la batterie et sortez-la de son compartiment.

Bouton De Libération De La Batterie



3. Le ventilateur peut être rangés dans la base de chargement. Insérez le ventilateur dans les fentes de rangement des accessoires sur la base de chargement.



CHARGEMENT

REMARQUE : Veuillez charger complètement l'aspirateur avant la première utilisation.

Le bloc-batterie peut être rechargé via la base de chargement ou l'adaptateur de chargement. L'aspirateur peut être rechargé directement, avec le bloc-batterie installé, par l'intermédiaire de la base de chargement.

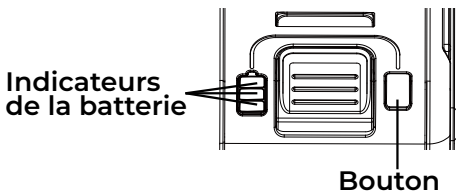


AVERTISSEMENT

Utilisez exclusivement le chargeur recommandé par le fabricant.

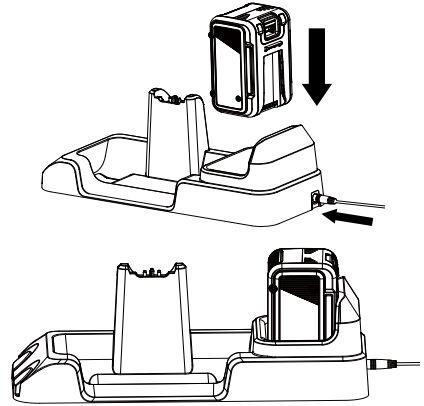
INDICATEURS DE BATTERIE

La batterie est dotée de 3 DEL indicateurs. Appuyez sur le bouton, les DEL vous indiqueront le niveau de charge.

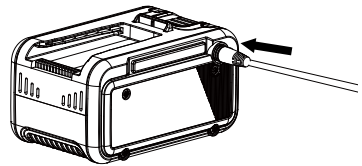


CHARGEMENT DU BLOC-BATTERIE

1. Insérez l'adaptateur de charge dans le port de chargement situé sur le côté de la base de chargement. Faites glisser le bloc-batterie dans son compartiment jusqu'à ce que vous entendiez un « clic ».



2. En option : le bloc-batterie peut être rechargé directement par l'intermédiaire de l'adaptateur de chargement. Insérez l'adaptateur de chargement dans le port de chargement du bloc-batterie.



3. Branchez l'adaptateur de charge sur une prise murale.
4. Le bloc-batterie commence à se charger. Les DEL d'indication sur le bloc-batterie clignotent en continu.
5. Lorsque la batterie est entièrement chargée, les trois voyants s'allument en continu et s'éteignent au bout de 10 minutes.
6. Une fois le chargement terminé, retirez la batterie de l'adaptateur de chargement. Débranchez l'adaptateur de la prise de courant.

CHARGEMENT

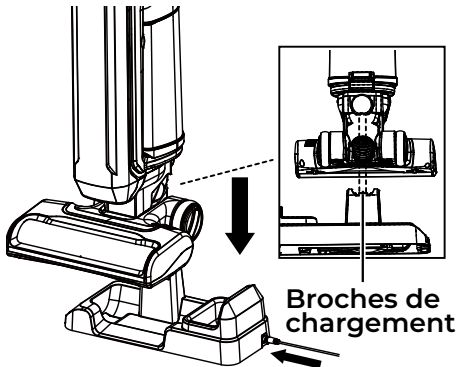


AVERTISSEMENT

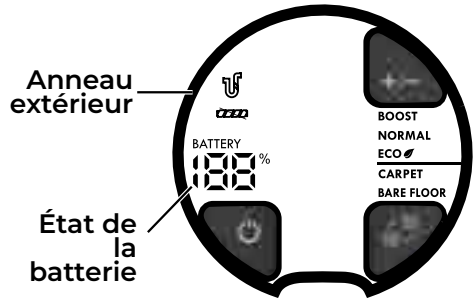
Avant de placer l'aspirateur sur la base de chargement, assurez-vous qu'il est éteint.

CHARGEMENT DE L'ASPIRATEUR

1. Insérez l'adaptateur de charge dans le port de chargement situé sur le côté de la base de chargement.
2. Assurez-vous que le bloc-batterie est correctement inséré dans le compartiment à batterie de l'aspirateur.
3. Placez l'aspirateur sur la base de chargement. Assurez-vous que les broches de chargement sont correctement connectées à l'aspirateur.



4. Branchez l'adaptateur de charge sur une prise murale.
5. L'aspirateur commence à se charger. L'état de la batterie sur l'écran d'affichage s'allume pour indiquer la puissance de la batterie. L'anneau extérieur émet des impulsions vertes.



6. Lorsque l'aspirateur est complètement chargé, l'état de la batterie indique 100 %. L'anneau extérieur s'allume en continu en bleu. L'écran d'affichage s'éteint au bout de 3 minutes.

REMARQUE : Assurez-vous que l'aspirateur est complètement chargé avant de l'utiliser pour la première fois. Le chargement complet peut prendre jusqu'à 4 à 5 heures s'il est complètement déchargé.

REMARQUE : Un bloc-batterie de secours peut être inséré dans le compartiment à batterie de la base de chargement. La base de chargement donnera la priorité à l'aspirateur. Une fois que l'aspirateur est complètement chargé, la base de chargement commence à charger la batterie de secours. Il n'est pas nécessaire de retirer l'aspirateur de la base de chargement.

REMARQUE : Si l'état de la batterie et l'anneau extérieur de l'écran d'affichage ne s'allument pas pendant le chargement, assurez-vous que :

- L'adaptateur de chargement est correctement branché sur l'alimentation électrique.

CHARGEMENT

- L'alimentation électrique de la prise est sous tension.
- L'adaptateur de charge est entièrement inséré dans le port de charge.

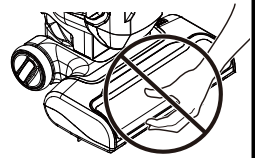
REMARQUE : Ne chargez jamais l'aspirateur à des températures supérieures à 40 °C (104 °F) ou inférieures à 4 °C (39,2 °F). Il est normal que le chargeur chauffe pendant la charge.

INSTRUCTIONS D'UTILISATION



ATTENTION

Pièces mobiles! Afin de réduire tout risque de blessures, **NE PAS** toucher la brosse à rouleau lorsque l'aspirateur est en marche. Tout contact avec la brosse à rouleau en rotation peut provoquer coupures, ecchymoses ou toutes autres blessures. Coupez l'alimentation électrique avant de procéder à l'entretien, à la réparation ou au nettoyage de l'aspirateur. Faites preuve de prudence lorsque vous utilisez l'aspirateur en présence d'enfants ou d'animaux familiers.



UTILISATION DE VOTRE ASPIRATEUR VERTICAL SANS FIL



AVERTISSEMENT

En cas d'anomalie/de panne, cessez immédiatement d'utiliser le produit, puis débranchez la batterie.



ATTENTION

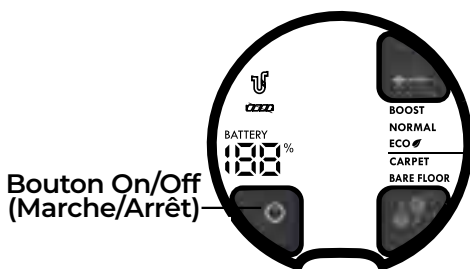
- Faites très attention lorsque vous nettoyez des escaliers. Afin de prévenir tous risques de blessures corporelles ou tout endommagement, et d'empêcher l'aspirateur de tomber, placez toujours l'aspirateur au bas des escaliers ou sur le plancher. Ne pas placer l'aspirateur sur les escaliers ou des meubles, car cela risque d'entraîner des blessures ou des dommages.
- N'utilisez pas l'appareil pour le toilettage d'un animal de compagnie.

UTILISATION DE VOTRE ASPIRATEUR VERTICAL SANS FIL

REMARQUE : Assurez-vous que l'aspirateur est entièrement monté et que le bac à poussière est vide avant de l'utiliser. Ne pas utiliser l'aspirateur sans filtres en place.

Assurez-vous que le bloc-batterie est entièrement chargé et fermement installé en place.

1. Appuyez sur le bouton On/Off (Marche/Arrêt). L'écran d'affichage s'illumine lorsqu'il est allumé.



2. L'aspirateur démarre en mode PLANCHER NU (BARE FLOOR) avec une puissance d'aspiration NORMALE par défaut lors de la mise en marche.
3. Dégagez le manche en plaçant un pied sur la buse et en tirant vers l'arrière pour changer la position du manche.



4. Faites fonctionner l'aspirateur en inclinant la manche vers vous et avec la buse de l'aspirateur au ras du sol.
5. Pour changer de mode, appuyez sur le bouton moquette/plancher nu (carpet/bare floor). TAPIS (CARPET) ou PLANCHER NU (BARE FLOOR) s'allume pour indiquer le mode
 - Mode TAPIS (CARPET) : pour un nettoyage en profondeur des tapis avec une forte aspiration. Le rouleau-brosse tourne lorsque l'aspirateur est en mode TAPIS (CARPET).
 - Mode PLANCHER NU (BARE FLOOR) : pour tous les types de planchers et pour préserver l'autonomie de l'appareil. Le rouleau-brosse tourne lentement lorsque l'aspirateur est en mode PLANCHER NU (BARE FLOOR).
6. Pour régler la puissance d'aspiration, appuyez sur le bouton de puissance d'aspiration. ECO, NORMAL ou SURALIMENTATION (BOOST) s'allume pour indiquer la puissance d'aspiration.

REMARQUE : Cet aspirateur est capable de mémoriser le mode de fonctionnement et la puissance d'aspiration précédents. Lorsque l'aspirateur est remis en marche, il démarre dans le mode de fonctionnement et la puissance d'aspiration précédents.

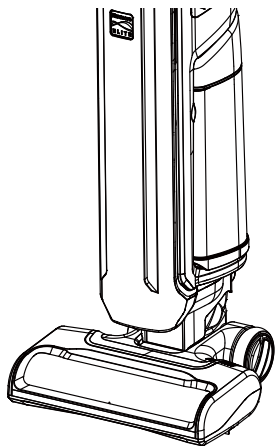
7. Pendant l'aspiration, l'état de la batterie indique le niveau de charge de la batterie. Lorsque l'état de charge de la batterie

UTILISATION DE VOTRE ASPIRATEUR VERTICAL SANS FIL

est inférieur à 10 % et que l'anneau extérieur clignote en rouge, il est conseillé de recharger l'aspirateur. Voir les instructions de chargement dans CHARGEMENT (page 14).

8. Au terme de l'aspiration, appuyez sur le bouton On/Off (Marche/Arrêt). Repositionnez le manche à la verticale en le poussant vers l'avant jusqu'à ce que le corps de l'aspirateur soit verrouillé en place. Débranchez le bloc-batterie de l'aspirateur.

REMARQUE : La brosse à rouleau ne tourne en aucun des deux modes lorsque le manche est positionné à la verticale.



ATTENTION

Ne pas laisser l'aspirateur rester au même endroit pour quelque durée que ce soit lorsque la brosse à rouleau est en rotation. La moquette risque d'être endommagée.



ATTENTION

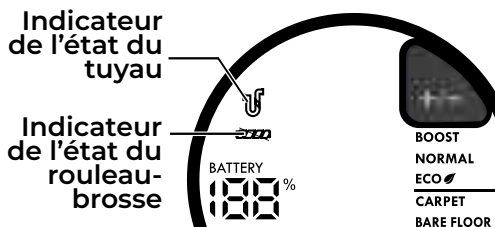
Sélectionnez le mode approprié lorsque vous utilisez cet aspirateur. Un réglage incorrect risque d'endommager le plancher.

INDICATEUR DE L'ÉTAT DU ROULEAU-BROSSE ET INDICATEUR DE L'ÉTAT DU TUYAU

En cas de blocage du rouleau-brosse, le voyant d'état du rouleau-brosse clignote en rouge. En cas de blocage dans le circuit d'air, ou si les filtres en mousse et en feutre sont trop sales, le voyant d'état du tuyau clignote en rouge.

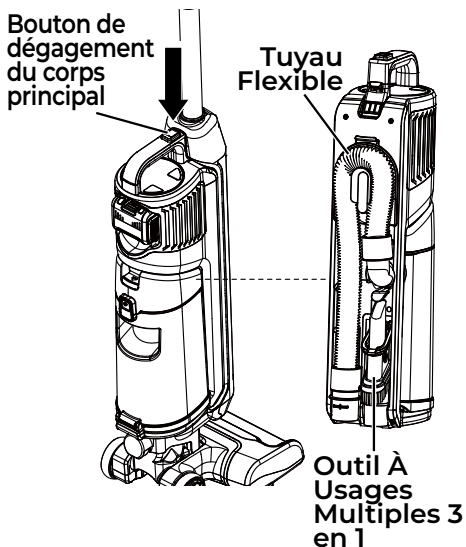
Indicateurs	Statut
Indicateur de l'état du rouleau-brosse	Présence de bourrage dans la zone de la brosse à rouleau. Mettez l'aspirateur hors tension et débranchez le bloc-batterie, puis éliminez les obstructions présentes dans la buse.
Indicateur de l'état du tuyau	Un blocage se produit dans le circuit d'air, ou les filtres en mousse et en feutre sont trop sales. Mettez l'aspirateur hors tension et débranchez le bloc-batterie. Éliminez toute obstruction dans la zone du tuyau de raccordement, en particulier sous le couvercle transparent (page 31). Vérifiez et éliminez toutes les obstructions présentes dans le tuyau flexible. Nettoyez le filtre en mousse, le filtre en feutre ou le filtre d'évacuation à particules HEPA, si nécessaire.

UTILISATION DE VOTRE ASPIRATEUR VERTICAL SANS FIL



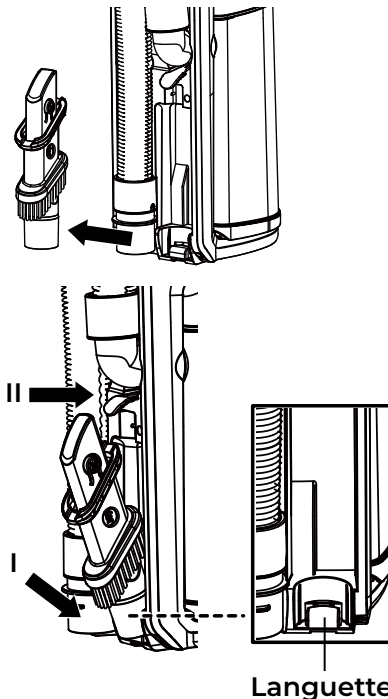
MODE LIFT-UP (Soulever)

1. Positionnez l'aspirateur verrouillé à la verticale.
2. Appuyez sur le bouton de dégagement du corps principal pour détacher et soulever le corps principal de l'aspirateur de l'électro-brosse pour un transport portatif. Le tuyau flexible et l'outil à usages multiples 3 en 1 sont rangés à l'intérieur du corps principal.



3. Retirez l'outil à usages multiples 3 en 1 de sa position de rangement.

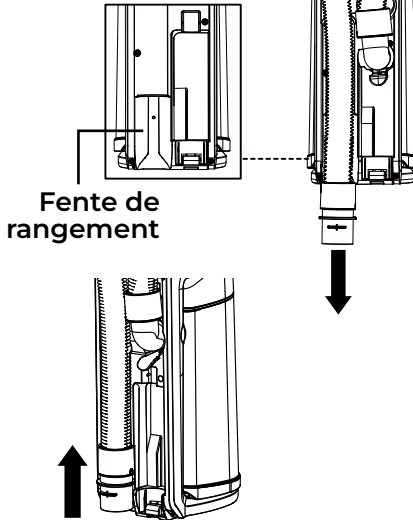
Pour réinstaller l'outil combiné, insérez la partie inférieure de l'outil dans la languette de rangement, puis appuyez sur l'outil combiné pour le mettre en position de rangement.



4. Retirez l'extrémité ouverte du tuyau flexible de sa fente de rangement pour libérer l'extrémité ouverte du corps principal.

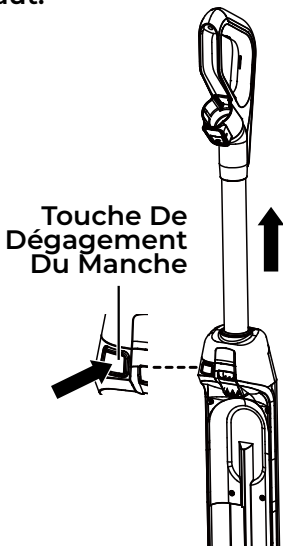
Pour la réinstallation, assurez-vous que l'extrémité ouverte du tuyau flexible est correctement accrochée à la fente de rangement.

UTILISATION DE VOTRE ASPIRATEUR VERTICAL SANS FIL



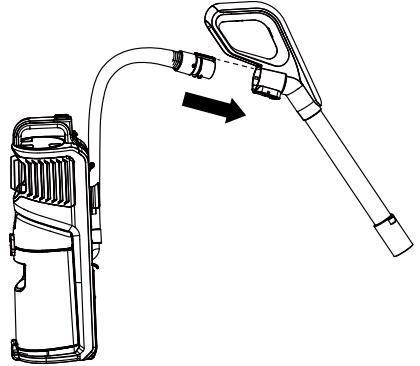
Fente de rangement

5. Appuyez sur la touche de dégagement du manche, puis tirez sur le manche vers le haut.

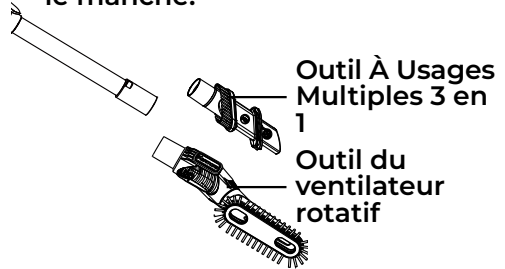


Touche De Dégagement Du Manche

6. Insérez l'extrémité du tuyau dans le raccordement supérieur du tuyau, ainsi qu'illustré, jusqu'à ce que vous entendiez un « clic ».



7. Choisissez l'accessoire souhaité, puis insérez-le dans le manche.



REMARQUE : L'accessoire peut également s'insérer directement dans le tuyau si nécessaire.

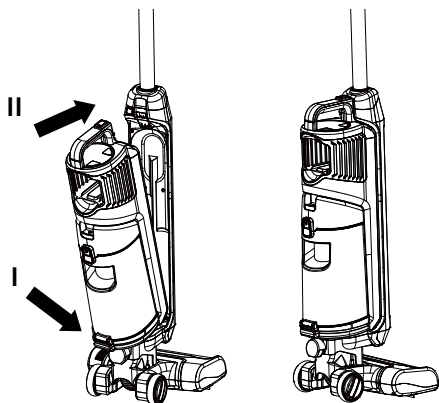
8. Appuyez sur le bouton Marche/ Arrêt pour mettre l'aspirateur en marche.

9. Au terme de l'aspiration, appuyez sur le bouton Marche/ Arrêt. Débranchez le bloc-batterie de l'aspirateur.

UTILISATION DE VOTRE ASPIRATEUR VERTICAL SANS FIL

IMPORTANT : Veillez à réinstaller l'extrémité du tuyau dans son logement d'origine avant d'utiliser l'aspirateur en mode vertical.

10. Réinstallez le corps principal dans l'aspirateur jusqu'à ce que vous entendiez un déclic.



⚠ ATTENTION

Lorsque vous utilisez des accessoires, veillez à ne pas étendre à l'excès le tuyau flexible lorsque vous vous penchez pour atteindre certains endroits. Toute tentative visant à dépasser la capacité d'extension du tuyau risque d'entraîner le renversement de l'aspirateur.

⚠ ATTENTION

NE PAS tirer l'aspirateur par le tuyau dans la pièce. Un usage impropre peut entraîner des dommages matériels ou des blessures corporelles.

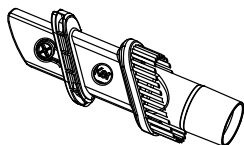
ACCESSOIRES

Tous les accessoires fournis peuvent être insérés soit dans le manche, soit dans le tuyau flexible.

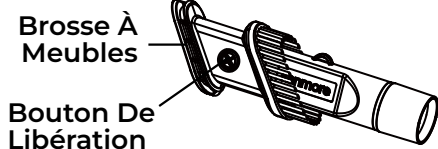
OUTIL À USAGES MULTIPLES 3 EN 1

L'outil à usages multiples 3 en 1 peut être fixé à l'extrémité du manche et du tuyau. Insérez l'outil dans l'extrémité ouverte du manche ou du tuyau.

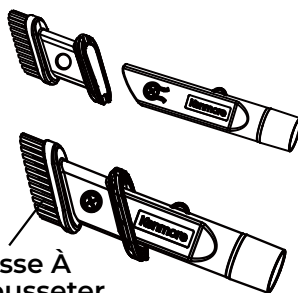
Utilisez l'outil à usages multiples 3 en 1 en mode Suceur plat pour effectuer le nettoyage dans les espaces restreints tels que les meubles, entre les coussins et dans les escaliers. Voir le TABLEAU D'UTILISATION DES ACCESSOIRES (page 22).



Mettez l'outil à usages multiples en mode brosse à meubles en appuyant sur le bouton de dégagement et en faisant coulisser la brosse à meubles jusqu'à l'extrémité de l'outil à usages multiples. Utilisez le mode brosse à meubles pour nettoyer les surfaces en tissu, notamment les canapés en tissu. Voir le TABLEAU D'UTILISATION DES ACCESSOIRES (page 22).



Appuyez sur le bouton de dégagement pour retirer l'outil brosse. Réglez l'outil à usages multiples en mode brosse à épousseter ainsi qu'illustré. Utilisez le mode brosse à épousseter pour nettoyer les surfaces instables, notamment les rideaux. Voir le TABLEAU D'UTILISATION DES ACCESSOIRES (page 22).



Pour remettre l'outil à usages multiples en mode Suceur plat, appuyez sur le bouton de dégagement, puis faites glisser l'outil brosse vers la partie inférieure de l'outil à usages multiples.

OUTIL DU VENTILATEUR ROTATIF

L'outil du ventilateur rotatif peut être fixé sur le manche ou sur le tube pour le nettoyage en hauteur de meubles tels que armoires et étagères. Veuillez consulter le TABLEAU D'UTILISATION DES ACCESSOIRES (page 22).

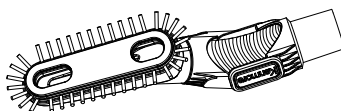






TABLEAU D'UTILISATION DES ACCESSOIRES

ZONE DE NETTOYAGE ✓ = Applicable						
ACCESSOIRE	Meubles*	Entre les coussins*	Rideaux*	Escaliers		Plinthes
				Moquette	Nu	
SUCEUR 	✓	✓		✓	✓	✓
BROSSE À ÉPOUSSETER 	✓		✓	✓	✓	✓
BROSSE À MEUBLES 	✓		✓			
OUTIL À BROSSE ROTATIVE 	✓					

***Toujours nettoyer les accessoires avant de les utiliser sur des tissus.**

CARACTÉRISTIQUES DE PERFORMANCE/ SÉCURITÉ

DISPOSITIF DE PROTECTION THERMIQUE

Cet aspirateur est doté d'un protecteur thermique qui se déclenche automatiquement pour protéger le moteur d'aspiration de l'aspirateur. En cas de congestion empêchant le flux d'air normal vers le moteur, le dispositif de protection thermique éteint automatiquement le moteur. Cela permet au moteur de refroidir afin d'éviter d'endommager éventuellement l'aspirateur.

Pour réinitialiser le protecteur thermique : Mettez hors tension l'aspirateur, puis débranchez le bloc-batterie pour permettre à l'aspirateur de refroidir et aux protecteurs thermiques de se réinitialiser.



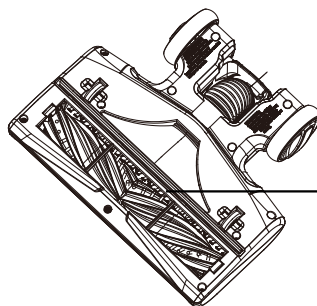
ATTENTION

Remettez toujours l'aspirateur à la verticale avant d'utiliser le tuyau et les accessoires. Le non-respect de cette consigne peut entraîner une surchauffe du moteur de la brosse à rouleau et provoquer le déclenchement des protecteurs thermiques.

Vérifiez la présence de congestions, puis éliminez celles-ci. Ensuite, videz le bac de poussières, au besoin. Vérifiez également l'état des filtres et nettoyez tout filtre obstrué. Patientez environ 50 minutes avant de redémarrer l'aspirateur.

BROSSE À ROULEAU HAIR ELIMINATOR®

Pour obtenir des performances optimales, l'électro-brosse est équipée d'une brosse à rouleau hair eliminator®, qui empêche toute accumulation de cheveux ou de poils, de ficelles et de tous autres débris sur la brosse à rouleau. Pour enlever les cheveux ou poils enroulés autour de la brosse à rouleau, il suffit de continuer à aspirer. Cela permet à la brosse à rouleau de retirer automatiquement les cheveux ou poils enroulés et de les envoyer dans le bac à poussière.



Dents
de
peigne



ATTENTION

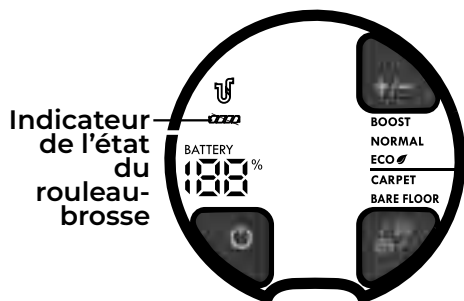
Pièces mobiles ! Afin de réduire tout risque de blessures, **NE PAS** toucher la brosse à rouleau lorsque l'aspirateur est en marche. Tout contact avec la brosse à rouleau en rotation peut provoquer coupures, ecchymoses ou toutes autres blessures.

RÉINITIALISATION DE LA BROSSE À ROULEAU

Pour éviter tout endommagement du moteur dû aux blocages, la brosse à

CARACTÉRISTIQUES DE PERFORMANCE/ SÉCURITÉ

rouleau est doté d'une protection intégrée contre les surcharges. Si le rouleau à brosse rencontre un blocage, il ralentit ou s'arrête complètement. Dans ce cas, la protection contre les surcharges arrête automatiquement le moteur du rouleau à brosse (indiqué par un indicateur lumineux rouge sur l'écran) tandis que l'aspirateur lui-même continue d'aspirer.



Pour résoudre ce problème :
Mettez l'aspirateur hors tension et débranchez le bloc-batterie. Éliminez les obstructions, puis réinstallez le bloc-batterie et remettez l'aspirateur en marche. L'indicateur d'état du rouleau-brosse sur l'écran d'affichage est éteint.

Si le problème persiste, contactez le service d'assistance téléphonique pour les aspirateurs pour obtenir de l'aide.

ENTRETIEN ET SOIN DE L'ASPIRATEUR

Respectez toujours toutes les mesures de sécurité lorsque vous effectuez l'entretien de l'aspirateur.

AVERTISSEMENT

Risques D'Électrocution et De Blessures Corporelles

Débranchez le bloc-batterie avant de procéder à l'entretien, à la réparation ou au nettoyage de l'aspirateur. Le non-respect de cette consigne pourrait entraîner un risque d'électrocution ou des blessures corporelles causées par le démarrage subit de l'aspirateur.

AVERTISSEMENT

L'électro-brosse est équipée de dents de peigne aiguisées à l'intérieur. **NE PAS** toucher les dents de peigne lorsque vous entretenez ou nettoyez l'aspirateur. Dans le cas contraire, cela peut entraîner des blessures corporelles.

NETTOYAGE DE L'EXTÉRIEUR ET DES ACCESSOIRES

1. Mettez l'aspirateur hors tension et débranchez le bloc-batterie. NE PAS laisser de l'eau s'égoutter sur l'aspirateur.
2. Pour nettoyer l'extérieur ou pour réduire l'électricité statique et l'accumulation de poussière, essuyez la surface extérieure à l'aide d'un chiffon propre et doux qui a été plongé dans une solution de détergent liquide doux et d'eau, puis essoré. Bien essuyer après nettoyage.

REMARQUE : Lavez les accessoires à l'eau tiède savonneuse, rincez-les, puis laissez-les sécher à l'air libre. Ne pas nettoyer au lave-vaisselle.



ATTENTION

Ne pas utiliser les accessoires s'ils sont mouillés. Les accessoires utilisés dans des endroits sales, comme sous un réfrigérateur, ne doivent pas être utilisés sur d'autres surfaces jusqu'à ce qu'ils soient lavés. Ceux-ci risquent de laisser des marques.

RANGEMENT PROLONGÉ DE L'ASPIRATEUR

1. Placez les accessoires sur la base de chargement si nécessaire (voir page 12).
2. Débranchez la batterie de l'aspirateur avant un stockage prolongé.

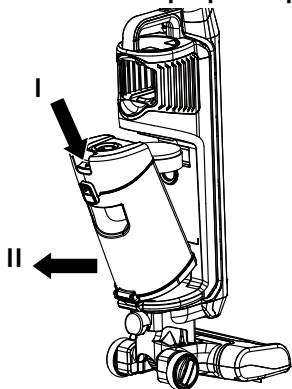
3. Rangez l'aspirateur dans un endroit sec, à l'intérieur, sur le plancher, avec le manche verrouillé à la verticale.

VIDANGE DU BAC À POUSSIÈRE

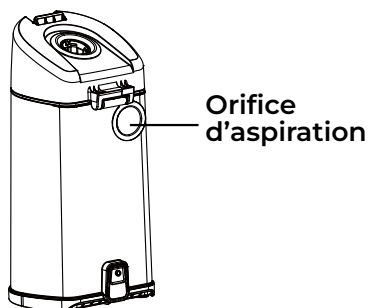
⚠ AVERTISSEMENT
Débranchez le bloc-batterie avant d'effectuer tous travaux d'entretien ou de réparation sur l'aspirateur.

REMARQUE : Pour obtenir des performances optimales, videz le bac à poussière après chaque utilisation. Ne jamais utiliser l'aspirateur sans que le bac à poussière et les filtres soient en place.

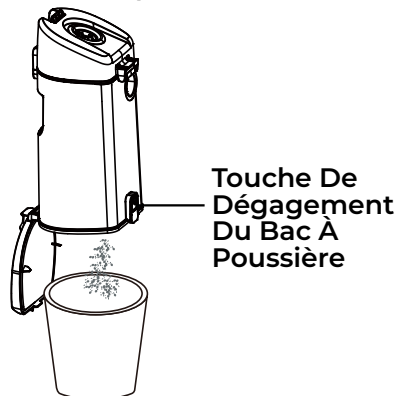
1. Appuyez sur le bouton de dégagement du bac à poussière pour retirer le bac à poussière du corps principal.



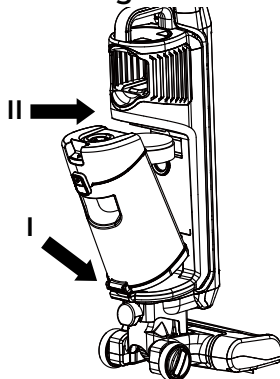
2. Éliminez toute obstruction qui pourrait se trouver dans l'orifice d'aspiration.



3. Placez le bac à poussière de l'aspirateur au-dessus d'une poubelle. Appuyez sur la touche de dégagement du bac à poussière, puis renversez le contenu du bac dans la poubelle.



4. Secouez le bac à poussière pour dégager tous les débris susceptibles de s'accrocher au pré-filtre.
5. Réinstallez et insérez le bac à poussière dans les fentes situées dans la partie inférieure du corps principal, puis repoussez le réservoir à poussière dans la fente jusqu'à ce que vous entendez un déclic de verrouillage.



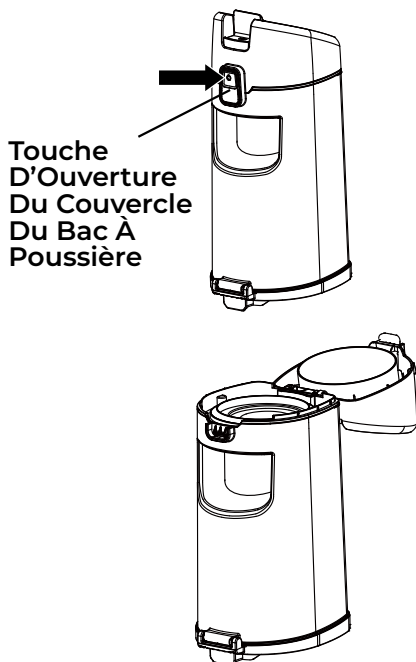
NETTOYAGE DU PRÉ-FILTRE

Le pré-filtre se trouve à l'intérieur du récupérateur de poussières. Nettoyez le pré-filtre au besoin afin d'optimiser la puissance d'aspiration.

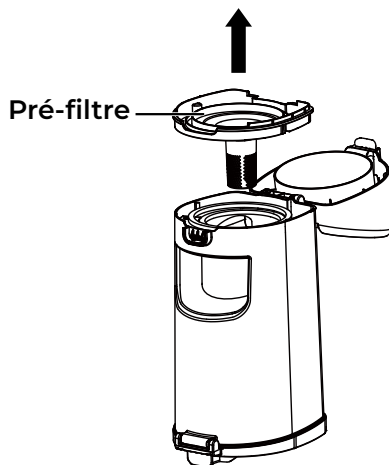
1. Retirez le bac à poussière ainsi qu'illustré dans la section VIDANGE DU BAC À POUSSIÈRE (page 26).

REMARQUE : Assurez-vous que le bac à poussière est exempt de débris avant de l'ouvrir.

2. Appuyez sur la touche d'ouverture du couvercle du bac à poussière, puis ouvrez le couvercle.



3. Soulevez le pré-filtre du bac à poussière. Nettoyez le pré-filtre en le tapant doucement au-dessus d'une poubelle. Tapotez sur plusieurs côtés afin de garantir un nettoyage optimal.



4. Réinstallez le bac à poussière dans le corps principal. Voir les instructions d'installation données dans la section VIDANGE DU BAC À POUSSIÈRE (page 26).

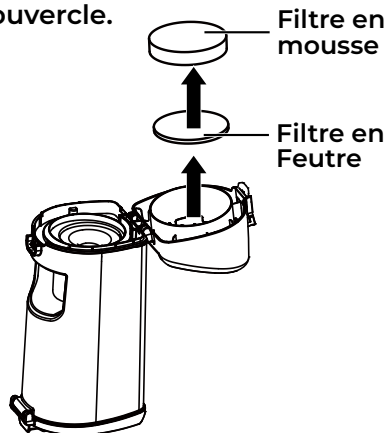
NETTOYAGE DES FILTRES EN MOUSSE ET EN FEUTRE

IMPORTANT : Nettoyez le filtre tous les mois. Les filtres en mousse peuvent sembler sales après utilisation - c'est normal. Nous vous recommandons de nettoyer les filtres en mousse et en feutre à l'eau froide tous les mois.

REMARQUE : Lorsque le nettoyage des filtres ne rétablit plus la pleine puissance d'aspiration de l'aspirateur, ou lorsque les filtres sont usés ou brisés, remplacez ceux-ci. Pour tous vos achats de filtres, composez le numéro : 1-877-531-7321 (États-Unis) / 1-844-608-3081 (Canada).

Nettoyez et remplacez régulièrement les filtres afin de maintenir la puissance d'aspiration de l'aspirateur à un niveau optimal.

1. Retirez le bac à poussière ainsi qu'illustré dans la section VIDANGE DU BAC À POUSSIÈRE (page 26).
2. Ouvrez le couvercle du bac à poussière. Retirez les filtres en mousse et en feutre du couvercle.



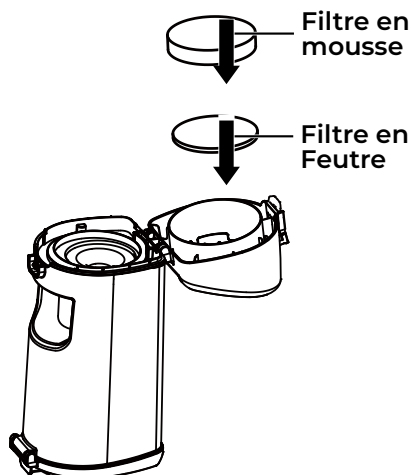
3. Lavez-le à l'eau froide uniquement. NE PAS utiliser de détergents ou du savon. Pressez-le à la main, puis laissez-le sécher à l'air libre. Laissez les filtres sécher 24 heures avant de les remettre dans l'aspirateur.

REMARQUE : NE PAS utiliser l'aspirateur sans filtres en mousse et en feutre installés.

NE PAS laver le filtre au lave-vaisselle.

NE PAS installer de filtres en mousse et en feutre s'ils sont humides.

4. Remplacez les filtres en mousse et en feutre dans le couvercle du bac à poussière.



5. Réinstallez le bac à poussière. Voir la section VIDANGE DU BAC À POUSSIÈRE (page 26).

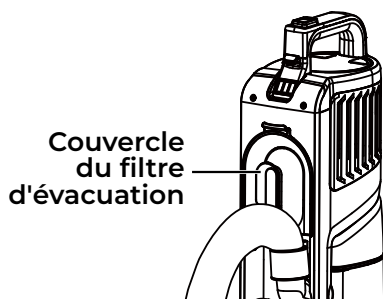
NETTOYAGE DU FILTRE D'ÉVACUATION À CARTOUCHE HEPA

IMPORTANT : Nettoyez le filtre tous les mois. Ne pas utiliser l'aspirateur sans le filtre !

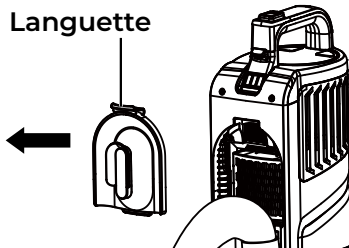
Nous vous recommandons de nettoyer à l'eau froide chaque mois le filtre d'évacuation à cartouche HEPA.

REMARQUE : Lorsque le nettoyage du filtre ne rétablit plus la pleine puissance d'aspiration de l'aspirateur, ou lorsque le filtre est usé ou brisé, remplacez le filtre d'évacuation. Pour acheter le filtre d'évacuation, composez le numéro : 1-877-531-7321 (États-Unis) / 1-844-608-3081 (Canada).

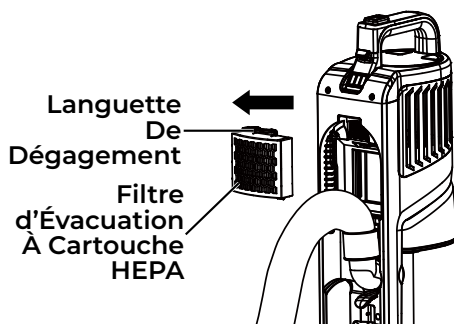
1. Retirer le corps principal de l'aspirateur comme indiqué dans la section MODE LIFT-UP (Soulever) (page 18).
2. Retirer l'extrémité ouverte du tuyau flexible du corps principal pour faire apparaître le couvercle du filtre d'évacuation.



3. Remove the exhaust filter cover by pressing the tab at the top of the cover. Retirez le couvercle du filtre d'évacuation en appuyant sur la languette située en haut du couvercle.



4. Appuyez sur la languette de dégagement, puis retirez le filtre d'évacuation à cartouche HEPA du corps principal de l'aspirateur.



5. Lavez à l'eau froide uniquement. NE PAS utiliser de détergent ou de savon. Laisser sécher à l'air libre pendant 24 heures avant de le remettre dans l'aspirateur.

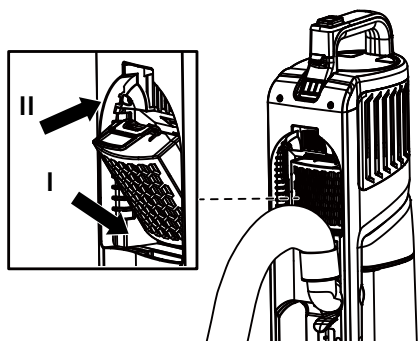
REMARQUE : NE PAS utiliser sans le filtre d'évacuation installé.

NE PAS laver le filtre au lave-vaisselle.

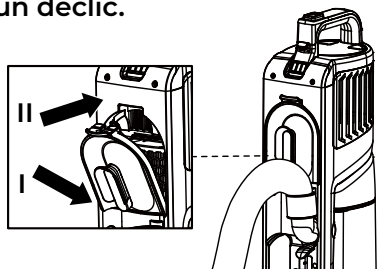
NE PAS installer le filtre s'il est humide.

6. Réinstallez le filtre d'évacuation à cartouche HEPA dans le corps principal de l'aspirateur jusqu'à ce que vous entendiez un déclic.

NETTOYAGE DU FILTRE D'ÉVACUATION À CARTOUCHE HEPA



7. Réinstallez le couvercle du filtre d'évacuation dans le corps principal de l'aspirateur jusqu'à ce que vous entendiez un déclic.



REMARQUE : Veillez à ce le couvercle du logement du filtre d'évacuation soit correctement installé.

ÉLIMINATION DES OBSTRUCTIONS



AVERTISSEMENT

Débranchez le bloc-batterie avant d'éliminer les obstructions. Le non-respect de cette disposition vous expose à des risques d'électrocution ou à des blessures corporelles.

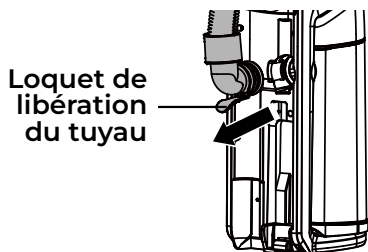
VÉRIFICATION DE LA PRÉSENCE D'OBSTRUCTIONS DANS LE TUYAU FLEXIBLE

En cas de blocage dans le circuit d'air, l'indicateur de l'état du tuyau sur l'écran d'affichage clignote en rouge. Vérifiez la présence d'obstructions dans le tuyau.

1. Retirer le corps principal de l'aspirateur comme indiqué dans la section **MODE LIFT-UP** (Soulever) (page 18).
2. Retirer l'extrémité ouverte du tuyau flexible du corps principal.

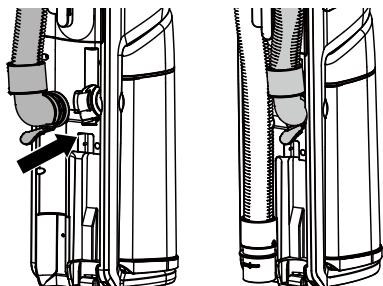
ÉLIMINATION DES OBSTRUCTIONS

3. Retirez l'extrémité de verrouillage du tuyau du corps principal en appuyant sur le loquet de libération du tuyau.



4. Vérifiez et éliminez toutes les obstructions présentes dans le tuyau flexible.

5. Réinstallez l'extrémité verrouillable du tuyau sur l'aspirateur jusqu'à ce que vous entendiez un déclic. Réinstallez l'extrémité ouverte du tuyau dans son emplacement d'origine.



VÉRIFICATION DE LA PRÉSENCE D'OBSTRUCTIONS DANS LE TUYAU DE RACCORDEMENT

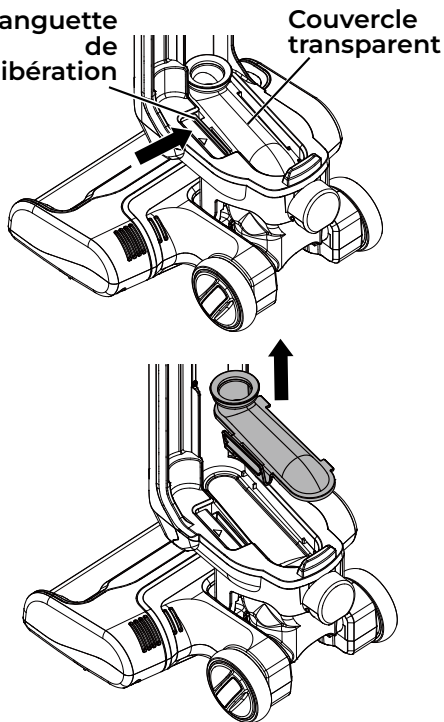
1. Retirer le corps principal de l'aspirateur comme indiqué dans la section MODE LIFT-UP (Soulever) (page 18).
2. Le couvercle transparent qui recouvre le tuyau de raccordement permet de vérifier facilement s'il est

obstrué. Retirez-le en appuyant sur la languette de libération et en le tirant vers l'extérieur.

REMARQUE : Éliminez toute obstruction à cet endroit lorsque l'obstruction apparaît sous le couvercle transparent.

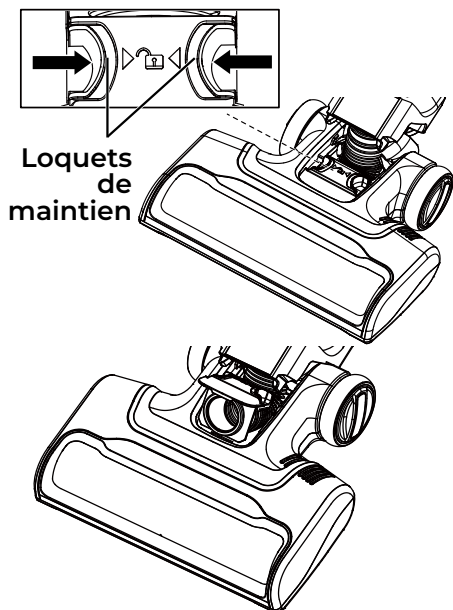
Languette de libération

Couvercle transparent



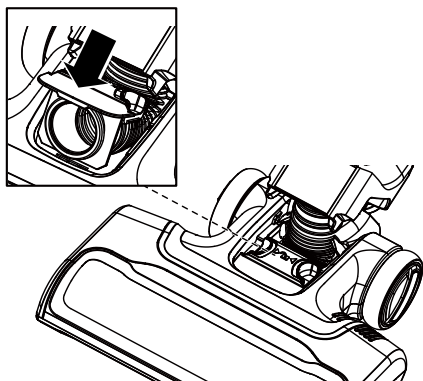
3. Dégagez le manche de l'aspirateur.
4. Appuyez sur les deux loquets de maintien pour libérer l'extrémité du tuyau de raccordement.

ÉLIMINATION DES OBSTRUCTIONS



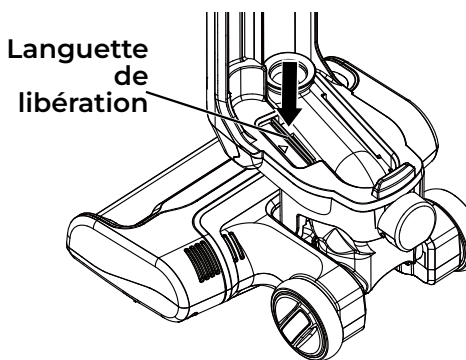
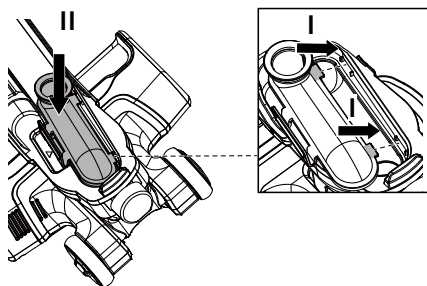
5. Vérifiez la présence d'obstructions éventuelles dans le tuyau de raccordement, puis éliminez-en celles-ci, le cas échéant.

6. Remettre en place l'extrémité du tuyau de raccordement en l'enfonçant jusqu'à ce qu'un déclic se fasse entendre.



7. Repositionnez le manche à la verticale

8. Réinstallez le couvercle transparent. Alignez d'abord les deux petites languettes du couvercle sur les fentes de positionnement, comme indiqué. Appuyez ensuite sur le couvercle transparent jusqu'à ce que vous entendiez un déclic. Appuyez sur la zone de la languette de libération pour vous assurer qu'elle est correctement fixée. Un clic doit se faire entendre.



DÉPANNAGE

Consultez ce tableau pour trouver des solutions pratiques en cas de problèmes de performance mineurs. Tous travaux d'entretien ou de réparation nécessaires, autre que l'entretien décrit dans le présent Guide D'Utilisation Et D'Entretien, doit être effectué par un agent du service de réparation qui en possède les qualifications.



AVERTISSEMENT

Débranchez le bloc-batterie avant d'effectuer l'entretien de l'aspirateur. Le non-respect de cette disposition vous expose à des risques d'électrocution ou à des blessures corporelles.

PROBLÈME	CAUSE POSSIBLE	SOLUTION
L'aspirateur ne fonctionne pas.	La batterie est peut-être déchargée.	Rechargez la batterie en suivant les instructions de la page 13-15.
	Utilisation d'un mauvais chargeur.	Veillez à n'utiliser que la base de chargement ou l'adaptateur de chargement fourni avec votre produit.
	Le corps principal de l'aspirateur n'est pas installé correctement.	Retirez le corps principal de l'aspirateur et remettez-le en place en veillant à ce qu'il soit bien fixé.
	L'aspirateur est surchauffé.	Mettez l'aspirateur hors tension, puis laissez refroidir l'aspirateur pendant 50 minutes.
	Le moteur est endommagé.	Veillez composer le numéro : 1-877-531-7321 (États-Unis) / 1-844-608-3081 (Canada) pour obtenir de l'aide.
Mauvaise récupération des saletés.	Le bac à poussière n'est pas installé correctement.	Vérifiez l'état du bac à poussière afin de vous assurer qu'il est correctement installé et fermement enclenché.
	Bac à poussière plein ou obstrué.	Videz le bac à poussière (page 26).
	Le tuyau flexible ou le tuyau de raccordement de l'aspirateur est bouché.	Vérifiez la présence d'obstructions éventuelles dans le conduit d'air, puis éliminez-en toutes celles-ci, le cas échéant. Suivez les instructions données en page 30-32.
	Le tuyau ou les accessoires ne sont pas installés correctement.	Vérifiez l'état du tuyau et des accessoires afin de vous assurer qu'ils sont correctement installés et fermement enclenchés.
	Le filtre en mousse, le filtre en feutre ou le filtre d'évacuation à particules HEPA doit être nettoyé ou remplacé.	Nettoyez ou remplacez le filtre en mousse, le filtre en feutre ou le filtre d'évacuation à particules HEPA. Suivez les instructions de nettoyage du filtre en mousse et du filtre en feutre ou du filtre d'évacuation à particules HEPA données en page 28 ou 29-30.

DÉPANNAGE

Mauvaise récupération des saletés.	Le tuyau flexible est usé.	Remplacez le tuyau. Pour tous vos achats de pièces, composez le numéro 1-877-531-7321 (États-Unis) / 1-844-608-3081 (Canada).
	Le tuyau de raccordement est usé.	Veuillez composer le numéro : 1-877-531-7321 (États-Unis) / 1-844-608-3081 (Canada) pour obtenir de l'aide.
	La brosse à rouleau est usée.	
De la poussière s'échappe de l'aspirateur.	Le bac de poussière est mal installé.	Positionnez correctement le bac à poussière, puis enclenchez-le fermement en place.
	Le filtre d'évacuation à cartouche HEPA est mal installé.	Vérifiez l'état du filtre d'évacuation afin de vous assurer qu'il est correctement installé. Suivez les instructions données en page 29-30.
	Le filtre en mousse, le filtre en feutre ou le filtre d'évacuation à particules HEPA est usé ou cassé.	Vérifiez et remplacez le filtre en mousse, le filtre en feutre ou le filtre d'évacuation à particules HEPA. Pour tous vos achats de pièces, composez le numéro : 1-877-531-7321 (États-Unis) / 1-844-608-3081 (Canada).
La brosse à rouleau ne tourne pas.	Le manche est positionné à la verticale.	Déplacez le manche à partir de la position entièrement verticale.
	La brosse à rouleau est bloquée.	Éliminez l'obstruction. Suivez les instructions données en page 23.
	La brosse à rouleau n'est pas installée correctement.	Veuillez composer le numéro : 1-877-531-7321 (États-Unis) / 1-844-608-3081 (Canada) pour obtenir de l'aide.
	La courroie n'est pas acheminée correctement.	
	La courroie est usée ou brisée.	
	Défaillance dans la section du circuit imprimé de l'électro-brosse.	
	Le protecteur de surchauffe de l'électro-brosse est activé.	Attendez que l'électro-brosse refroidisse, puis redémarrez.
Réduction du débit d'air avec les accessoires utilisés; le son change.	Le couvercle du filtre d'évacuation est mal installé.	Positionner correctement le couvercle du filtre d'évacuation et l'enclencher fermement. Suivez les instructions données en page 30.
	Le conduit d'air est bouché.	Vérifiez la présence d'obstructions éventuelles dans le conduit d'air, puis éliminez-en celles-ci et nettoyez le conduit d'air. Suivez les instructions données en page 30-32.

DÉPANNAGE

Réduction du débit d'air avec les accessoires utilisés; le son change.	Les accessoires utilisés peuvent réduire le débit d'air.	Vérifiez l'état des accessoires afin de détecter la présence de duvets, de peluches, de poils d'animaux familiers ou de tous autres débris.
L'aspirateur se met hors tension tout seul.	La batterie est peut-être déchargée.	Rechargez la batterie en suivant les instructions de la page 13-15.
	Le dispositif de protection thermique est activé.	Mettez l'aspirateur hors tension et débranchez le bloc-batterie. Vérifiez le conduit d'air et le bac à poussière. Laissez l'aspirateur refroidir pendant au moins 50 minutes. Réinstallez le bloc-batterie et mettez l'aspirateur en marche.
	Le moteur est endommagé.	Veillez composer le numéro : 1-877-531-7321 (États-Unis) / 1-844-608-3081 (Canada) pour obtenir de l'aide.
L'indicateur d'état du rouleau-brosse sur l'écran d'affichage s'allume en rouge.	Présence de bourrage dans la zone de la brosse à rouleau.	Mettez l'aspirateur hors tension et débranchez le bloc-batterie. Éliminez les obstructions présentes dans la brosse à rouleau. See page 23.
	La brosse à rouleau est usée ou cassée.	Veillez composer le numéro : 1-877-531-7321 (États-Unis) / 1-844-608-3081 (Canada) pour obtenir de l'aide.
L'aspirateur ne se recharge pas.	L'adaptateur de charge n'est pas inséré fermement dans le port de chargement de la base de charge.	Assurez-vous que l'adaptateur de charge est entièrement inséré dans le port de chargement de la base de charge et qu'il est correctement branché dans la prise murale.
	Des débris s'accumulent sur les contacts de charge métalliques du corps principal et de l'aspirateur.	Assurez-vous qu'aucun débris ne s'est accumulé sur les contacts de charge métalliques de l'aspirateur et du corps principal.
	Le corps principal de l'aspirateur n'est pas installé correctement.	Retirez le corps principal de l'aspirateur et remettez-le en place en veillant à ce qu'il soit bien fixé.
	L'état de charge sur l'écran d'affichage est endommagé.	Veillez appeler le service clientèle pour obtenir de l'aide.
	Absence de courant au niveau de la prise électrique.	Vérifier les disjoncteurs. Remplacer l'adaptateur de charge.
	L'adaptateur de charge est endommagé.	Remplacer l'adaptateur de charge. Veillez composer le numéro : 1-877-531-7321 (États-Unis) / 1-844-608-3081 (Canada) pour obtenir de l'aide.
	La batterie est endommagée.	Remplacez le bloc-batterie. Veillez composer le numéro : 1-877-531-7321 (États-Unis) / 1-844-608-3081 (Canada) pour obtenir de l'aide.

Kenmore Elite^{®/MD}

Vacuum Cleaner Help Line
Aspiradoras Línea de Ayuda

Assistance téléphonique
pour les aspirateurs

US: 1-877-531-7321

CA: 1-844-608-3081

8:00 am - 5:00 pm ET M-F

De 8 h à 17 h HE lun à ven

