

Use & Care Guide  
Manual de Uso y Cuidado  
Manuel d'entretien et d'utilisation

# Kenmore<sup>®/MD</sup>

*FeatherLite<sup>™</sup>*

Bagless Upright Vacuum  
with Hair Eliminator<sup>™</sup> Brushroll  
Aspiradora de pie sin bolsa  
Con cepillo para pelos Hair Eliminator<sup>™</sup>  
Aspirateur Vertical Sans Sac  
équipé de Brosse À Rouleau Hair  
Eliminator<sup>™</sup>

Model/Modelo/Modèle: DU1096

Vacuum Cleaner Help Line:  
1-877-531-7321 (US) / 1-844-608-3081 (CA)  
8:00am-5:00pm EST, M-F  
[www.kenmorefloorcare.com](http://www.kenmorefloorcare.com)



## TABLE OF CONTENTS

Before Using Your New Vacuum Cleaner .....	2
Packing List .....	2
Important Safety Instructions.....	3-4
Vacuum Cleaner Warranty .....	5
Parts and Features.....	6-7
Assembly Instructions .....	8-10
Operating Instructions .....	10-15
Performance/Safety Features .....	16
Vacuum Maintenance and Care.....	17-24
Troubleshooting .....	25-26
Requesting Assistance or Service.....	Back Cover

## BEFORE USING YOUR NEW VACUUM CLEANER

Read this Use & Care Guide. It will help you assemble and operate your new Kenmore vacuum cleaner in the safest and most effective way.

For more information about vacuum cleaner care and operation, call the Vacuum Cleaner Help Line at 1-877-531-7321 (US) / 1-844-608-3081 (CA). You will need the complete model and serial numbers when requesting information.

Your vacuum cleaner's model and serial numbers are located on the Model and Serial Number Plate. Use the space below to record the model number and serial number of your new Kenmore vacuum cleaner.

Model No. \_\_\_\_\_

Serial No. \_\_\_\_\_

Date of Purchase \_\_\_\_\_

Keep this book and your sales check (receipt) in a safe place for future reference.

## PACKING LIST

Your KENMORE BAGLESS UPRIGHT VACUUM CLEANER is packaged with the following parts and components assembled separately in the carton:

- |   |                    |
|---|--------------------|
| 1 Upright Vacuum Cleaner (with<br>Floor Nozzle) | 1 Hose Storage     |
| 1 Handle  | 1 Extension Wand   |
| 1 Flexible Hose                                 | 1 Crevice Tool     |
| 1 Wand  | 1 Upholstery Tool  |
| 1 Attachment Holder                             | 1 Pet HandiMate®   |
|   | 1 Use & Care Guide |

## IMPORTANT SAFETY INSTRUCTIONS

Read all instructions in this guide before assembling or using your vacuum cleaner.

### **WARNING!**

Your safety is important to us. To reduce the risk of fire, electrical shock, injury to persons or damage when using your vacuum cleaner, follow basic safety precautions including the following:

- Use your vacuum cleaner only as described in this Use & Care Guide. Use only with manufacturer's recommended attachments.
- Disconnect electrical supply before servicing or cleaning out the brushroll area. Failure to do so could result in the brushroll unexpectedly starting, causing personal injury from moving parts.
- Do not leave vacuum cleaner when plugged in. Unplug from outlet when not in use and before performing maintenance.
- To reduce the risk of electrical shock - Do not use outdoors or on wet surfaces.
- Do not allow to be used as a toy. Close attention is necessary when used by or near children.
- Do not use with a damaged cord or plug. If vacuum cleaner is not working as it should, has been dropped, damaged, left outdoors, or dropped in water, immediately discontinue use and call 1-877-531-7321 (US) / 1-844-608-3081 (CA) for assistance.
- Do not pull or carry by cord, use cord as a handle, close a door on cord, or pull cord around sharp edges or corners. Do not run vacuum cleaner over cord. Keep cord away from heated surfaces.
- Do not unplug by pulling on cord. To unplug, grasp the plug, not the cord.
- Do not handle plug or vacuum cleaner with wet hands.
- Do not put any objects into openings.
- Do not use with any opening blocked; keep free of dust, lint, hair, and anything that may reduce air flow.
- Keep hair, loose clothing, fingers, and all parts of body away from openings and moving parts.
- Turn off all controls before unplugging.
- Use extra care when cleaning on stairs.
- Do not put on chairs, tables, etc. Keep on floor.
- Do not use vacuum cleaner to pick up flammable or combustible liquids (gasoline, cleaning fluid, perfumes, etc.), or use in areas where they may be present. The fumes from these substances can create a fire hazard or explosion.
- Do not pick up anything that is burning or smoking, such as cigarettes, matches, or hot ashes.
- Do not use vacuum cleaner without dust cup and/or filters in place.
- Always clean the dust cup after vacuuming carpet cleaners or freshener, powders, and fine dust. These products clog the filters, reduce airflow and can cause damage to the vacuum cleaner. Failure to clean the dust cup could cause permanent damage to the vacuum cleaner.
- Do not use the vacuum cleaner to pick up sharp hard objects, small toys, pins, paper clips, etc. They may damage the vacuum cleaner or dust cup.
- You are responsible for making sure that your vacuum cleaner is not used by anyone unable to operate it properly.

## IMPORTANT SAFETY INSTRUCTIONS

# SAVE THESE INSTRUCTIONS

Proper assembly and safe use of your vacuum cleaner are your responsibilities. Your vacuum cleaner is intended for **Household use**. Read this Use & Care Guide carefully for important use and safety information. This guide contains safety statements under warning and caution symbols.

## VACUUM CLEANER WARRANTY

### LIMITED WARRANTY

FOR ONE YEAR from the date of sale this product is warranted against defects in material or workmanship.

WITH PROOF OF SALE a defective product will be replaced free of charge.

The Kenmore brand is used under license. Direct all claims for warranty service to:  
1-877-531-7321 (US) / 1-844-608-3081 (CA).

This warranty does not cover filters or belts, which are expendable parts that can wear out from normal use within the warranty period.

This warranty is void if this product is ever used for other than private household purposes. This warranty gives you specific legal rights, and you may also have other rights which vary from state to state.

Cleva North America, Inc., Greenville SC 29607

## PARTS AND FEATURES

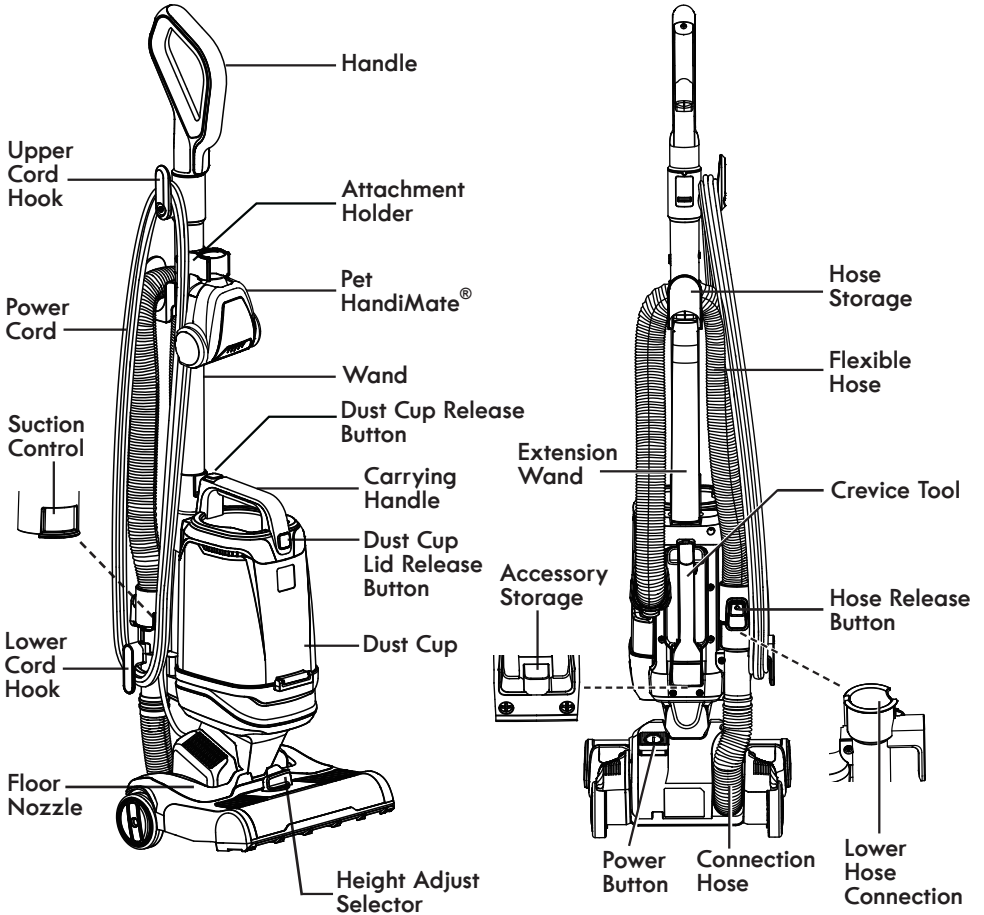
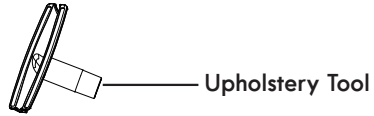
It is important to know your vacuum cleaner's parts and features to assure its proper and safe use. Review these before using your vacuum cleaner.

### REPLACEMENT PARTS

Item	Part No.(US)	Part No.(CA)
Foam Filter	561055105	561055105
Felt Filter	561055106	561055106
Belt	571025101	571025101
Brushroll	571027101	571027101
Wand	571025107	571025107
Handle	571027102	571027102
Flexible Hose	571027103	571027103
Extension Wand	561055128	561055128
Crevice Tool	571030101	571030101
Upholstery Tool	561055176	561055176
Pet HandiMate®	561014106	561014106

To order a replacement part, call 1-877-531-7321 (US) / 1-844-608-3081 (CA).

# PARTS AND FEATURES



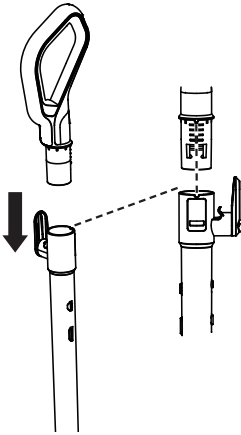


Please pay special attention to these hazard alert boxes, and follow any instructions given. **WARNING** statements alert you to such hazards as fire, electric shock, burns and personal injury. **CAUTION** statements alert you to such hazards as personal injury and/or property damage.

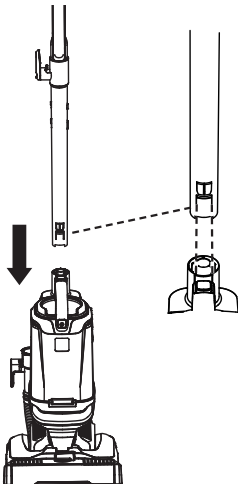
## ASSEMBLY INSTRUCTIONS

Before assembling the vacuum cleaner, check the **PACKING LIST** (page 2). Use this list to verify that you have received all the components of your new Kenmore Bagless Upright Vacuum Cleaner.

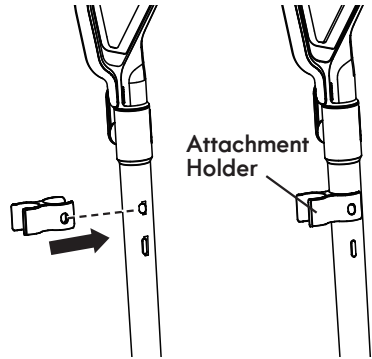
1. Insert the handle into the wand until you hear a 'click'.



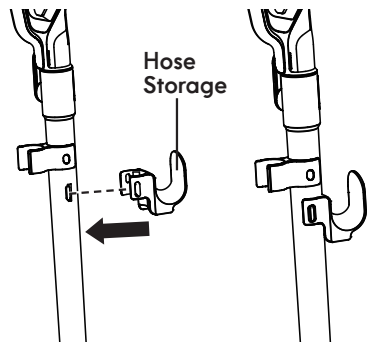
2. Insert the wand into the main body until you hear a 'click'.



3. Align the attachment holder clip with the front of the wand as shown. Make sure the oval hole aligns with the corresponding protrusion on the wand. Push and snap into place on wand.



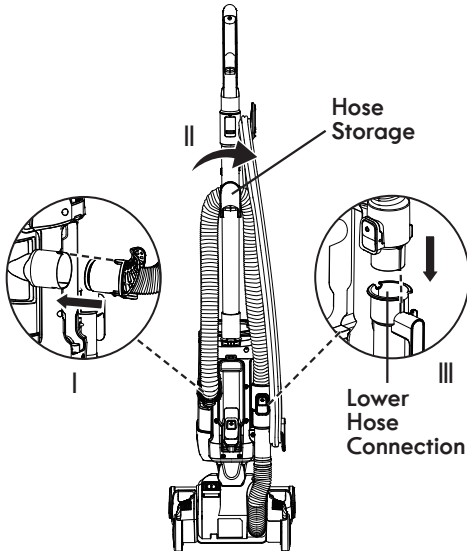
4. Align the hose storage with the back of the wand as shown. Make sure the large oval hole aligns with the corresponding protrusion on the wand. Push and snap into place on wand.



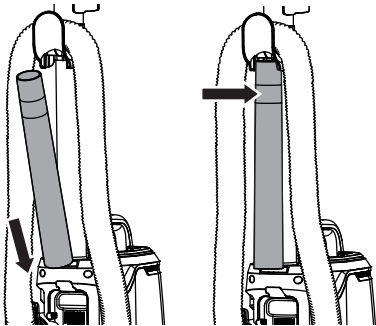


## ASSEMBLY INSTRUCTIONS

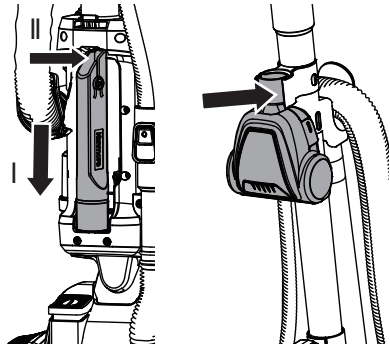
5. Insert one end of the flexible hose into the main body as shown until you hear a 'click'. Then run the flexible hose over the hose storage. Insert the other end of the hose into the lower hose connection as shown until you hear a 'click'.



6. Store the extension wand under the hose storage as shown. Make sure the smaller end of the extension wand is upward. Push and snap into place.

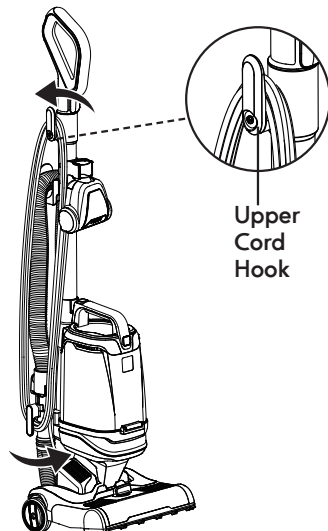


7. Insert the crevice tool onto the accessory storage post located on the back of the main body. The Pet HandiMate® is stored in the attachment holder on the wand.



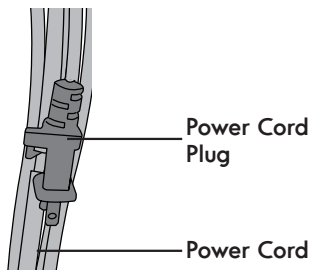
8. Make sure the upper cord hook is in the proper position as shown. Wrap the power cord loosely around the upper and lower cord hooks.

**NOTE:** Make sure to wrap the power cord around the upper cord hook first, and then around the lower cord hook to avoid damaging the power cord.



## ASSEMBLY INSTRUCTIONS

9. Lock power cord plug onto the power cord.



### WARNING

Electrical Shock and Personal Injury Hazard

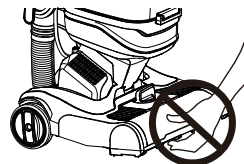
Wrapping the cord too tightly with excessive stress on the cord may cause cord damage. A damaged cord is an electrical shock hazard and could cause personal injury or damage.

## OPERATING INSTRUCTIONS



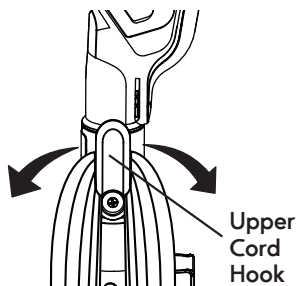
### CAUTION

**Moving parts!** To reduce the risk of personal injury, **DO NOT** touch the brushroll when vacuum is on. Contacting the brushroll while it is rotating can cut, bruise or cause other injuries. Disconnect electrical supply before servicing or cleaning the vacuum cleaner. Use caution when operating near children or pets.



## POWER CORD – RELEASE & USE

1. Turn the upper cord hook to either side and down to release the power cord.



### WARNING

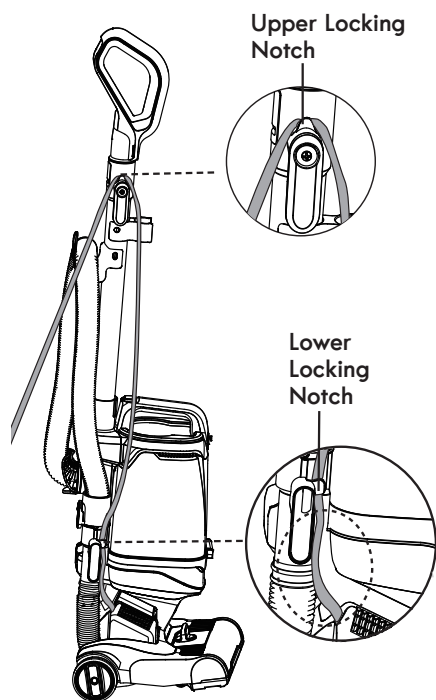
To reduce the risk of electric shock, this appliance has a polarized plug (one blade is wider than the other). This plug will fit in a polarized outlet only one way. If the plug does not fit fully in the outlet, reverse the plug. If it still does not fit, contact a qualified electrician to install the proper outlet. Do not change the plug in any way.

## POWER CORD - RELEASE & USE

2. Detach the power cord plug from the power cord.
3. Be sure the power cord is locked into the lower locking notch and the upper locking notch as shown. This will help manage the power cord when operating the vacuum cleaner.

**NOTE:** Lock the power cord into the lower locking notch first and then lock it into the upper locking notch to avoid damaging the power cord.

Make sure the power cord can move freely and is not over-extended when locking it into the lower locking notch.



4. Plug the power cord plug into an outlet located near the floor.

### **WARNING**

**Personal Injury and Product Damage Hazard**

- When any abnormality/failure occurs, stop using the product immediately and disconnect the power plug.
- **DO NOT** use outlets above counters. Damage from cord to items in surrounding area could occur.

5. Press the power button with your foot to turn the vacuum cleaner on.
6. Once you have completed vacuuming, press the power button again; unplug the power cord plug from the outlet.
7. To store power cord after use, turn upper cord hook to the upright position. Then wrap cord loosely around cord hooks.

### **WARNING**

**Electrical Shock and Personal Injury Hazard**

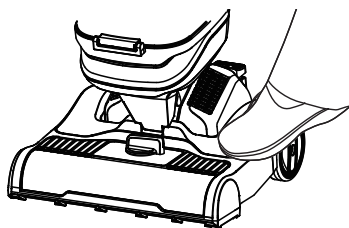
Wrapping the cord too tightly puts stress on the cord and can cause cord damage. A damaged cord is an electrical shock hazard and could cause personal injury or damage.

## OPERATION MODES

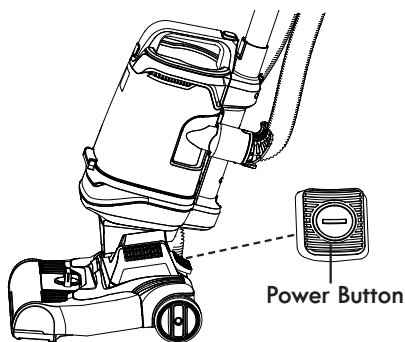
### UPRIGHT MODE

**NOTE:** Make sure the vacuum cleaner is completely assembled and the dust cup is empty before using. Do not operate vacuum cleaner without filters in place.

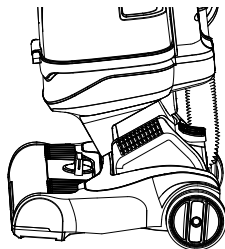
1. Release the handle by placing a foot on the floor nozzle and pulling back to change handle position.



2. Turn on the vacuum cleaner by pressing the power button with your foot.

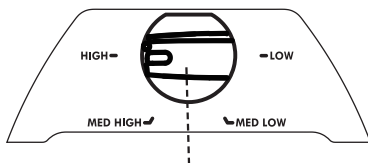
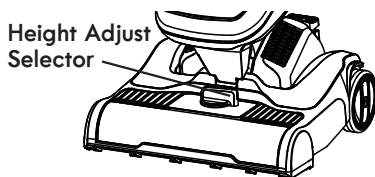


3. Once the vacuum is on, operate the vacuum cleaner by tilting the handle back towards you and the nozzle is flush with floor surface.
4. Once you have completed vacuuming, press the power button again. Return the handle to the fully upright position by pushing the handle forward until the vacuum body is locked down in place. Unplug the power cord from the power outlet.



### PILE HEIGHT SELECTION AND SETTINGS

Select a pile height setting by turning the height adjust selector located on the floor nozzle.



### Suggested Pile Height Settings

There are four (4) pile height settings on the vacuum cleaner. For best deep down cleaning of low pile carpet, use the MED LOW setting. However, you may need to raise the height to make some jobs easier, such as scatter rugs and some deep pile carpets.

Suggested settings are:

LOW – Bare floor

MED LOW – Low pile carpet

MED HIGH – Medium to deep pile

HIGH – Shag, deep pile, or scatter rugs



### CAUTION

Incorrect setting may damage floor.

## OPERATION MODES



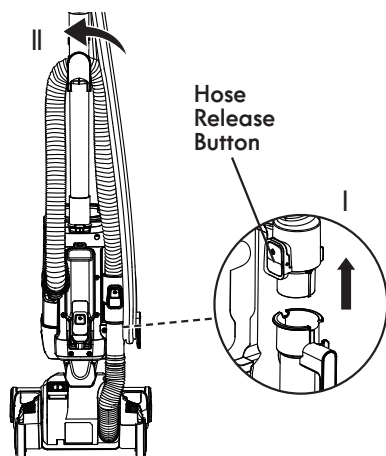
### CAUTION

Do not allow the vacuum cleaner to remain in one spot for any length of time when the brushroll is turning. Damage to the flooring may occur.

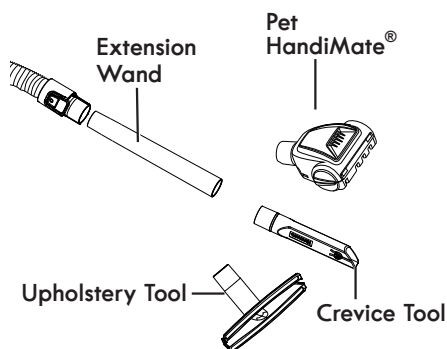
### ABOVE FLOOR MODE

**NOTE:** Brushroll continues to rotate when using the vacuum in the above floor mode. **DO NOT** place the vacuum on the deep pile carpet to avoid damage to carpet. Place the Pile Height selector to HIGH to avoid damage to the flooring.

1. Place the vacuum cleaner in the upright locked position.
2. Press the hose release button and release the flexible hose for above floor cleaning.

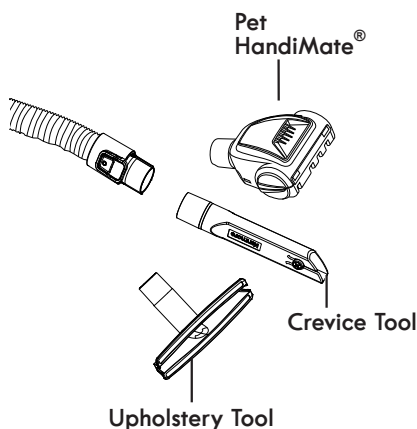


3. Choose the desired extension wand/attachment and insert it into the flexible hose.



4. Turn on the vacuum cleaner by pressing the power button with your foot.
5. Once you have completed vacuuming, press the power button again and unplug the power cord from the power outlet.

**NOTE:** The attachment also can insert directly into the flexible hose for above floor cleaning.



## OPERATION MODES



### CAUTION

When using attachments, be careful not to over extend the flexible hose when reaching. Trying to reach beyond the hose stretch capability could cause the vacuum cleaner to tip over.



### CAUTION

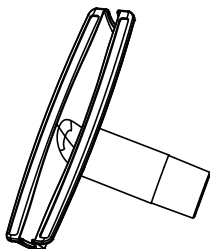
**DO NOT** pull the vacuum cleaner around the room by the hose. Property damage or personal injury could result.

## ATTACHMENTS

### UPHOLSTERY TOOL

The upholstery tool can be attached to the end of the flexible hose and the extension wand. Slide the collar of the tool onto the open end of the flexible hose and the extension wand.

Use the upholstery tool for cleaning upholstery and fabric surfaces such as sofas and drapes. See **ATTACHMENT USE TABLE** (page 15).

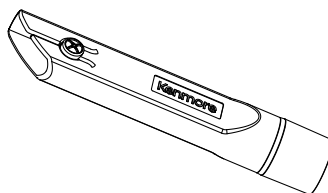


### CREVICE TOOL

Slide the collar of the tool into the open end of the flexible hose and the extension wand.

Use the crevice tool for cleaning in tight spaces such as furniture, between cushions,

and stairs. See **ATTACHMENT USE TABLE** (page 15).

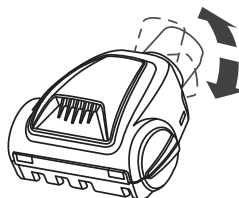


### PET HANDIMATE®

The Pet HandiMate® can be attached to the end of the flexible hose and the extension wand.

Pet HandiMate® pivots for convenient cleaning.

Use Pet HandiMate® for cleaning fabric surfaces such as furniture and carpet. See **ATTACHMENT USE TABLE** (page 15).



## ATTACHMENTS



### WARNING




**NEVER** use the Pet HandiMate® directly on pets, as it can cause injury.



### CAUTION

Use attachments when the vacuum cleaner is upright.

## ATTACHMENT USE TABLE

CLEANING AREA								✓ = Applicable
ATTACHMENT	Furniture*	Between Cushions*	Drapes*	Stairs		Baseboards		
				Carpet	Bare			
UPHOLSTERY TOOL 	✓		✓			✓		
CREVICE TOOL 	✓	✓		✓	✓	✓		
PET HANDIMATE® 	✓			✓				

\*Always clean attachments before using on fabrics.

## PERFORMANCE/SAFETY FEATURES

### BY-PASS VALVE

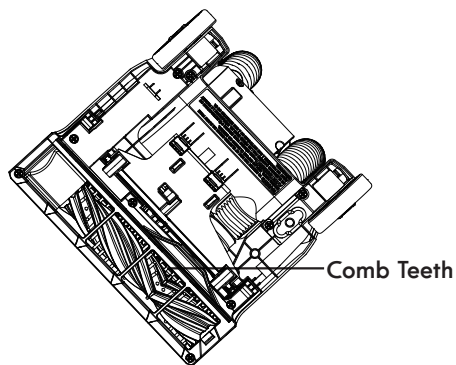
This vacuum cleaner has a By-Pass Valve which prevents the motor from overheating and damage. The valve opens to provide cooling air when a clog prevents normal air flow to the vacuum cleaner suction motor. You will notice a change of sound as air rushes through the valve opening.

**To correct the problem:** remove any clogs, check and replace filters if needed, check and empty dust cup if needed.

**NOTE:** The By-Pass Valve may open when using attachments or when cleaning new carpet due to reduced airflow or air path is blocked, caused by the attachments themselves or by new carpet lint filling the dust cup quickly.

### HAIR ELIMINATOR™ BRUSHROLL

For best performance, the floor nozzle is equipped with a hair eliminator™ brushroll, which prevents build-up of hair, string and other debris on the brushroll. To remove any hair wrapped around the brushroll, simply continue vacuuming, allowing the brushroll to automatically remove the hair wrap and send it to the dust cup.



**NOTE:** Always keep the brushroll free of carpet fiber, string, or hair build-up to maintain a longer life of the brushroll belt. If for some reason the brushroll does become entangled by any string or hair, stop using the vacuum and clean the brushroll immediately.

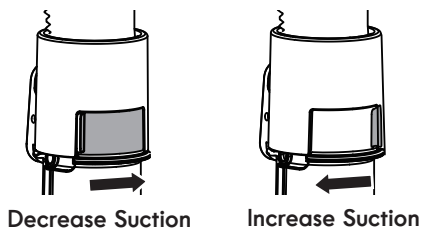
### CAUTION

**Moving parts!** To reduce the risk of personal injury, **DO NOT** touch the brushroll when vacuum is on. Contacting the brushroll while it is rotating can cut, bruise or cause other injuries.

### SUCTION CONTROL

To assist with push/pull force of the vacuum on surfaces like thick carpet, the suction control valve can be opened to help reduce suction. Note that for best cleaning results, the suction control valve must be fully closed.

- Slide to right to open the suction control and decrease suction. Opening control decreases suction for draperies and lightweight rugs.
- Slide to left to close the suction control and increase suction. Closing control increases suction for upholstery and carpets.





## VACUUM MAINTENANCE AND CARE

Always follow all safety precautions when performing maintenance to the vacuum cleaner.



### WARNING

**Electrical Shock and Personal Injury Hazard**

Disconnect electrical supply before servicing or cleaning the vacuum cleaner. Failure to do so could result in electrical shock or personal injury from vacuum cleaner suddenly starting.



### WARNING

The floor nozzle is equipped with sharp comb teeth inside. **DO NOT** touch comb teeth when servicing or cleaning the vacuum, which may cause personal injury.

## CLEANING EXTERIOR AND ATTACHMENTS

1. Turn off and unplug vacuum cleaner. **DO NOT** drip water on vacuum cleaner.
2. To clean exterior, or to reduce static electricity and dust build-up, wipe outer surface with a clean, soft cloth that has been dipped in a solution of mild liquid detergent and water, then wrung dry. Wipe dry after cleaning.

**NOTE:** Wash attachments in warm soapy water, rinse and air dry. Do not clean in dishwasher.



### CAUTION

**Do not use attachments if they are wet. Attachments used in dirty areas, such as under a refrigerator, should not be used on other surfaces until they are washed. They could leave marks.**

## VACUUM CLEANER STORAGE



### WARNING

**Electrical Shock and Personal Injury Hazard**

Wrapping the cord too tightly puts stress on the cord and can cause cord damage. A damaged cord is an electrical shock hazard and could cause personal injury or damage.

1. Place attachments in storage position if necessary (see page 9).
2. Gather the cord and wrap it loosely around the upper and lower cord hooks. Lock plug retainer onto the power cord.
3. Store the vacuum cleaner in a dry, indoor area, on the floor with the handle locked in the upright position.

## EMPTYING DUST CUP

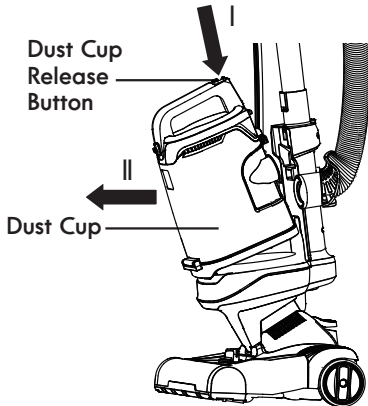


### WARNING

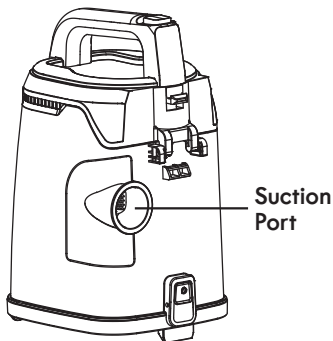
Always unplug power cord from electrical outlet before performing any service on vacuum cleaner.

**NOTE:** For best performance, empty dust cup after every use. Never operate vacuum cleaner without dust cup and filters in place.

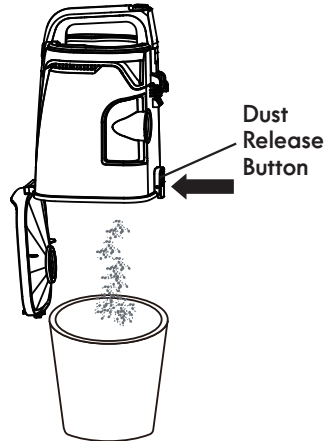
1. Press the dust cup release button to remove the dust cup from the main body.



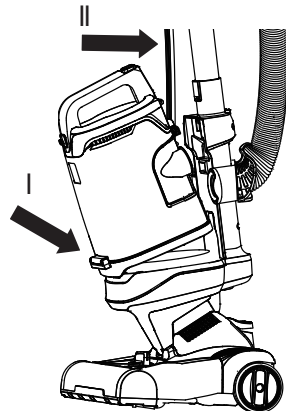
2. Remove any clogs that might be located in the suction port.



3. Position dust cup area of vacuum over a waste receptacle. Press down on the dust release button to open dust cup lid and allow contents to drop into waste receptacle.



4. Shake the dust cup to release any debris that might hang in the pre-filter.
5. Reinstall and insert the dust cup into the slots on the bottom of the main body, then press the dust cup into locked slot and click into place.



## PRE-FILTER CLEANING

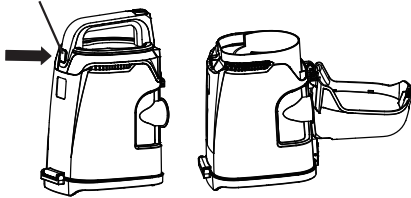
The pre-filter is located inside the dust cup. Clean the pre-filter as needed to optimize suction power.

1. Remove the dust cup as outlined in the **EMPTYING DUST CUP** (page 18).

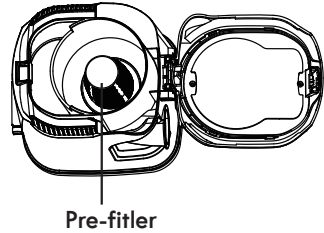
**NOTE:** Make sure dust cup is free of debris before opening.

2. Press the dust cup lid release button, and open the lid.

Dust Cup Lid  
Release Button



3. Clean pre-filter by gently tapping over a trash container. Tap on several sides to ensure best cleaning.



4. Reinstall the dust cup into the main body. See installation instructions in the **EMPTYING DUST CUP** (page 18).

## FOAM AND FELT FILTERS CLEANING

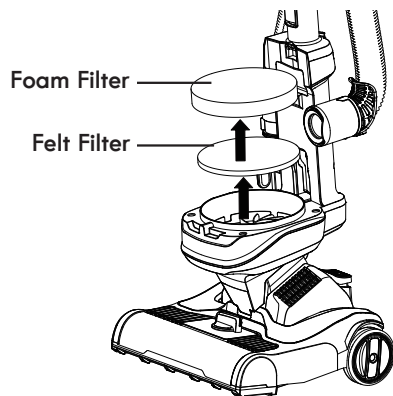
It is recommended to clean the foam and felt filters with cold water every three months.

**NOTE:** When the cleaning of filters no longer restores vacuum cleaner suction to full power, or the filters are worn or broken, replace the filters. To purchase filters, call 1-877-531-7321 (US) / 1-844-608-3081 (CA).

Regularly clean and replace the filters to keep the vacuum's suction power optimal.

1. Remove the dust cup as outlined in the **EMPTYING DUST CUP** (page 18).

2. Remove the foam and felt filters.



## FOAM AND FELT FILTERS CLEANING

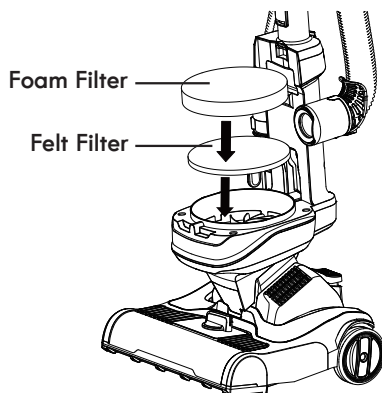
3. Wash with cold water only. DO NOT use detergent or soap. Squeeze by hand and allow to air dry. Allow all filters to dry 24 hours before putting back into vacuum cleaner.

**NOTE:** DO NOT operate without foam and felt filters installed.

DO NOT wash in the dishwasher.

DO NOT install foam and felt filters if damp.

4. Replace foam and felt filters into the vacuum cleaner.



5. Reinstall the dust cup. See EMPTYING DUST CUP (page 18).

## BELT CHANGING



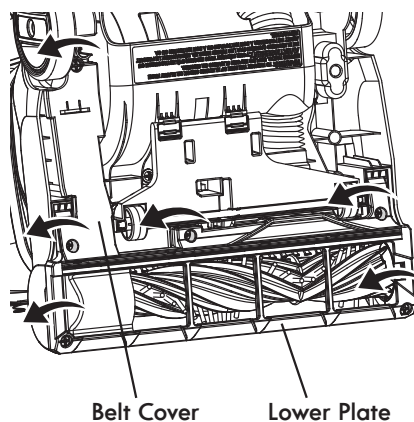
### WARNING

Always unplug power cord from electrical outlet before performing maintenance to the vacuum cleaner.

Replace belt whenever a burning rubber smell caused by excessive slippage occurs.

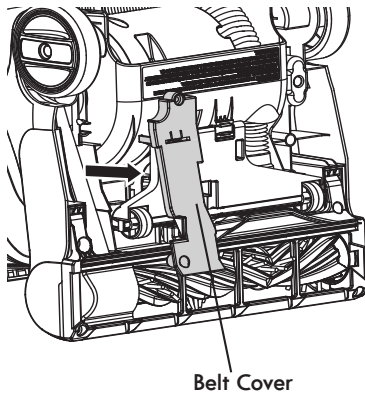
**NOTE:** Make sure that the pile height setting is on the LOW setting.

1. Lay the vacuum cleaner on floor with the bottom up and the floor nozzle flat.
2. Use a Phillips head screwdriver to remove the six screws from the belt cover and the lower plate.

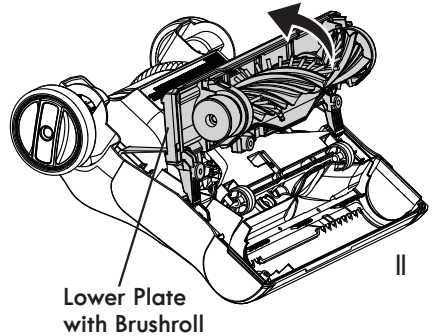
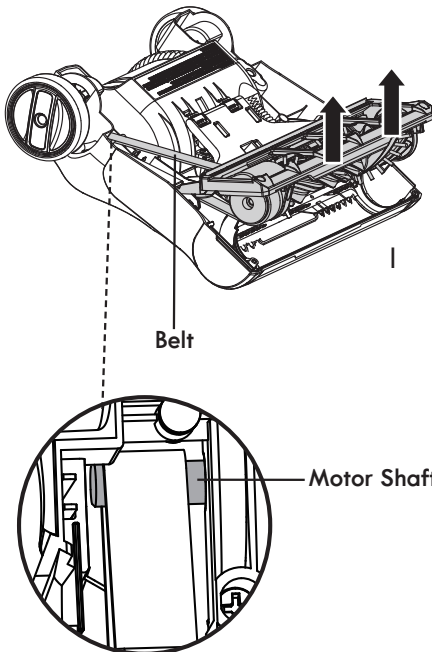


## BELT CHANGING

3. Remove the belt cover from the floor nozzle.



4. Lift the lower plate combined with the brushroll.



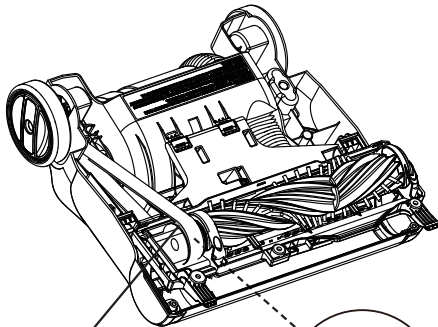
**CAUTION**  
Motor shaft may be hot.

**WARNING**  
There are sharp edges inside to prevent hair entanglement. Do not put any part of the body into the floor brush during maintenance.

5. Remove the worn or broken belt.
6. Clean any debris from the floor nozzle.
7. Loop the new belt around the motor shaft and the belt path on the brushroll.

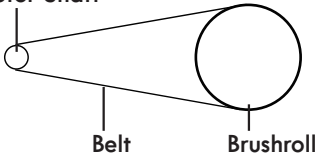
**NOTE:** Before reinstalling the lower plate, make sure the belt is in the middle of the belt path as shown.

## BELT CHANGING



Belt Path

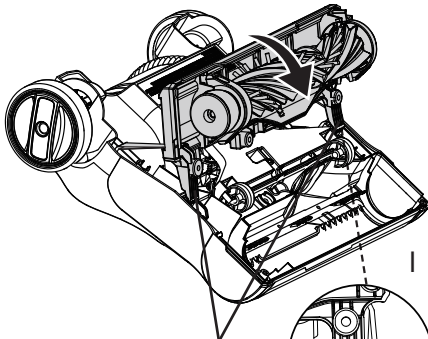
Motor Shaft



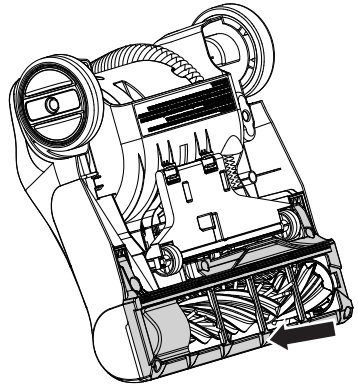
Belt

Brushroll

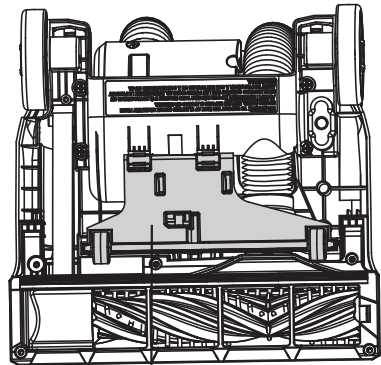
8. Reinstall the lower plate with the brushroll back into the floor nozzle. First align the two locking tabs on the lower plate with the slots in the nozzle as shown. Then rotate the lower plate down onto the brushroll housing. Press on the middle part of the lower plate until you hear a "click". Rotate the brushroll to make sure the belt is installed correctly.



Locking  
Tabs



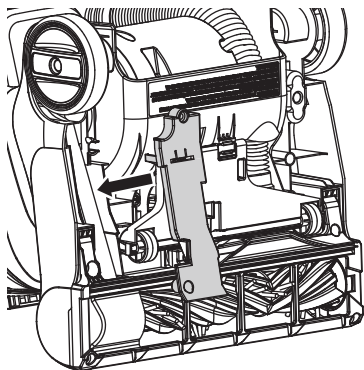
**NOTE:** Check to make sure the small wheel bracket is properly fixed by the lower plate and cannot be lifted off.



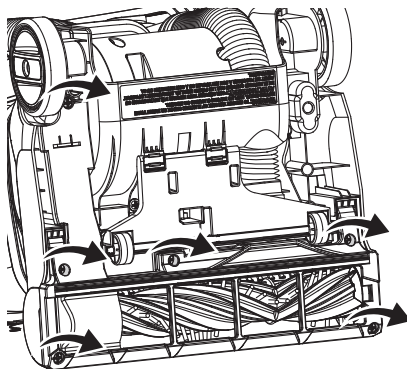
Small Wheel Bracket

## BELT CHANGING

9. Reinstall the belt cover into place.



10. Reinstall six screws into the lower plate and the belt cover. Do not over-tighten the screws.



## PET HANDIMATE® CLEANING



### WARNING

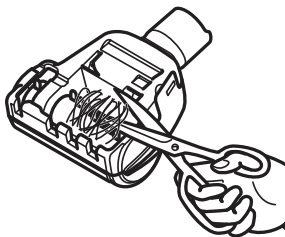
Always unplug the power cord from an electrical outlet before performing maintenance to the vacuum cleaner.



### CAUTION

To reduce the risk of injury from moving parts, remove Pet HandiMate® from vacuum hose or wand before servicing.

Cut off any carpet pile and lint entangled around brushroll with a pair of scissors.



## REMOVING CLOGS



### WARNING

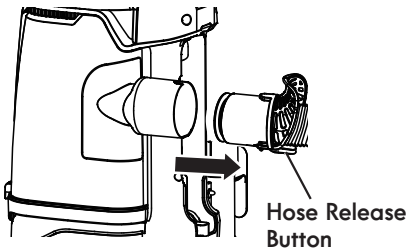
Disconnect electrical supply before removing clogs. Failure to do so could result in electrical shock or personal injury.

### CHECKING FLEXIBLE HOSE FOR CLOGS

If there is noticeable abnormal noise when using the vacuum or the suction power suddenly drops, it is necessary to check the flexible hose for clogs.

Frequently check air path to make sure it is free of obstructions.

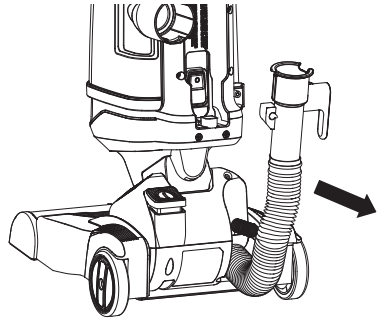
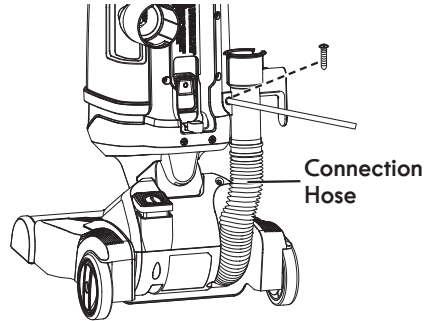
1. Remove attachments from the end of the flexible hose.
2. Remove the flexible hose ends from the main body and the lower hose connection by pressing the hose release buttons.



3. Check and remove any clogs in the flexible hose.
4. Reinstall the flexible hose to the vacuum cleaner. See ASSEMBLY INSTRUCTIONS (page 9).

### CHECKING CONNECTION HOSE FOR CLOGS

1. Check and remove any clogs in the connection hose.
2. If necessary, release the connection hose by removing one screw with a Phillips head screwdriver and check for clogs.



3. Reinstall the collection hose and fix with the screw. Do not over-tighten the screw.



## TROUBLESHOOTING

Review this table to find do-it-yourself solutions for minor performance problems. Any service needed, other than maintenance described in this Use & Care Guide, should be performed by a qualified service agent.



### **WARNING**

**Disconnect electrical supply before performing maintenance to the vacuum cleaner. Failure to do so could result in electrical shock or personal injury.**

<b>PROBLEM</b>	<b>POSSIBLE CAUSE</b>	<b>SOLUTION</b>
Vacuum cleaner will not run.	Unplugged at wall outlet.	Plug in firmly.
	The power button is not pressed to start the vacuum cleaner.	Press the power button to start the vacuum cleaner.
	Defective wall outlet.	Check with a good appliance or lamp. Be sure the power cord plug is fully plugged into a good wall outlet.
	The motor is damaged.	Call 1-877-531-7321 (US) / 1-844-608-3081 (CA) for assistance.
Poor job of dirt pick-up.	The hose or attachments are not installed correctly.	Check the hose and attachments for correct installation and ensure they are snapped firmly in place.
	Dust cup is not installed correctly.	Check dust cup for correct installation and ensure it is snapped firmly in place.
	Full or clogged dust cup.	Empty the dust cup (page 18).
	There is a clog in the flexible hose or connection hose of the vacuum cleaner.	Check and remove all clogs. Follow instructions on page 24.
	Suction control is in open position.	Adjust the suction control to increase suction. Follow instructions on page 16.
	The foam filter or felt filter needs to be cleaned or replaced.	Clean or replace the foam filter or felt filter. Follow the foam filter and felt filter cleaning instructions on page 19-20.
	The flexible hose is worn.	Replace the hose assembly. To purchase parts, call 1-877-531-7321 (US) / 1-844-608-3081 (CA).
	The connection hose is worn.	Call 1-877-531-7321 (US) / 1-844-608-3081 (CA) for assistance.
The brushroll is worn.	Call 1-877-531-7321 (US) / 1-844-608-3081 (CA) for assistance.	

## TROUBLESHOOTING

Dust escapes from the vacuum.	Dust cup is not installed correctly.	Position dust cup correctly and snap firmly in place.
	Foam filter or felt filter is worn or broken.	Check and replace the foam filter or felt filter. To purchase parts, call 1-877-531-7321 (US) / 1-844-608-3081 (CA).
Brushroll does not turn.	Brushroll is jammed.	Call 1-877-531-7321 (US) / 1-844-608-3081 (CA) for assistance.
	Brushroll is not installed correctly.	Call 1-877-531-7321 (US) / 1-844-608-3081 (CA) for assistance.
	The belt is not routed correctly.	Check the belt routing on page 20-23.
	The belt is worn or broken.	Replace the belt. To purchase parts, call 1-877-531-7321 (US) / 1-844-608-3081 (CA).
Airflow restricted with attachments in use; sound changes.	Air path is blocked.	Check for and remove any clogs and clean the air path. Follow instructions on page 24.
	Attachments in use restrict air flow.	Check attachments for fuzz, lint, pet hair or other debris.
Vacuum turns off on its own.	The power cord plug is loose from the outlet when using the vacuum.	Reinsert the power cord plug fully into the outlet. Avoid pulling or dragging the power cord when using the vacuum.
	The motor is damaged.	Call 1-877-531-7321 (US) / 1-844-608-3081 (CA) for assistance.

## TABLA DE CONTENIDOS

Antes de usar su nueva aspiradora.....	1
Lista de piezas incluidas .....	1
Instrucciones de seguridad importantes.....	2-3
Garantía de la aspiradora .....	4
Piezas y características .....	5-6
Instrucciones de ensamblaje.....	7-9
Instrucciones de uso .....	9-14
Desempeño/características de seguridad.....	15
Mantenimiento y cuidado de la aspiradora.....	16-23
Resolución de problemas.....	24-25
Solicitud de ayuda o reparaciones.....	Tapa posterior

## ANTES DE USAR SU NUEVA ASPIRADORA

Lea esta guía de uso y cuidado. Lo ayudará a ensamblar y operar su nueva aspiradora Kenmore de la manera más segura y efectiva posible.

Por más información sobre el cuidado y operación de la aspiradora, llame a la Línea de ayuda para aspiradoras al 1-877-531-7321 (EE. UU.) / 1-844-608-3081 (Canadá). Necesitará el modelo completo y los números de serie al solicitar información.

El modelo de su aspiradora y los números de serie se ubican en la placa de modelo y número de serie. Use el siguiente espacio para registrar el número de modelo y el número de serie de su nueva aspiradora Kenmore.

N° de modelo \_\_\_\_\_

N° de serie \_\_\_\_\_

Fecha de compra \_\_\_\_\_

Guarde este libro y su boleta (recibo) de venta en un lugar seguro para usarlos como referencia a futuro.

## LISTA DE PIEZAS INCLUIDAS

SU ASPIRADORA VERTICAL SIN BOLSA KENMORE posee las siguientes piezas y componentes ensamblados por separado en la caja:

- |   |                                   |
|---|-----------------------------------|
| 1 Aspiradora vertical (con boquilla para pisos) | 1 Almacenamiento para la manguera |
| 1 Empuñadura                                    | 1 Vara de extensión               |
| 1 Manguera flexible                             | 1 Herramienta para hendiduras     |
| 1 Vara  | 1 Herramienta para tapizados      |
| 1 Soporte de accesorios                         | 1 Pet HandiMate®                  |
|   | 1 Guía de uso y cuidado           |

## INSTRUCCIONES DE SEGURIDAD IMPORTANTES

Lea todas las instrucciones de esta guía antes de ensamblar o usar su aspiradora.

### ¡ADVERTENCIA!

Su seguridad es importante para nosotros. Para reducir el riesgo de incendio, descarga eléctrica, lesiones a personas o daños al utilizar su aspiradora, siga las precauciones de seguridad básicas, incluidas las siguientes:

- Utilice solo su aspiradora solo como se indica en esta guía de uso y cuidado. Utilice solo los accesorios recomendados por el fabricante.
- Desconecte el suministro eléctrico antes de reparar o limpiar el área del cepillo de rodillo. No hacerlo puede provocar que el cepillo de rodillo se encienda inesperadamente y provoque lesiones personales por sus piezas móviles.
- No deje la aspiradora sin supervisión en caso de que esté conectada. Desconéctela del tomacorriente cuando no esté en uso y antes de realizarle mantenimiento.
- Para reducir el riesgo de descarga eléctrica, no utilice el producto en exteriores ni sobre superficies mojadas.
- No permita que se utilice como un juguete. Se debe prestar estricta atención cuando el aparato lo usen niños o cuando se use cerca de ellos.
- No utilice si la clavija o cable están dañados. Si la aspiradora no funciona como debería, o si se ha caído, dañado, dejado en exteriores o caído al agua, deje de usarla inmediatamente y llame al 1-877-531-7321 (Estados Unidos) / 1-844-608-3081 (Canadá) para obtener ayuda.
- No tire o transporte el aparato utilizando el cable como a modo de empuñadura, no apriete el cable al cerrar puertas ni pase el cable cerca de bordes afilados o esquinas. No use la aspiradora sobre su cable. Mantenga el cable alejado de superficies calientes.
- No desconecte tirando del cable. Para desconectarlo tire de la clavija, no del cable.
- No manipule la clavija o la aspiradora con las manos mojadas.
- No ponga objetos sobre las aberturas.
- No lo utilice si las aberturas están bloqueadas; tenga cuidado que no haya polvo, cabellos, pelusas en las aberturas o cualquier cosa que pueda reducir el flujo de aire.
- Mantenga su cabello, ropas holgadas, dedos y partes de su cuerpo lejos de las aberturas y piezas móviles del producto.
- Apague todos los controles antes de desconectar el dispositivo.
- Tenga precaución adicional al limpiar en escaleras.
- No la ponga sobre sillas, mesas, etc. Manténgala sobre el piso.
- No utilice la aspiradora para aspirar líquidos inflamables o combustibles (gasolina, líquidos de limpieza, perfumes, etc.) ni tampoco la utilice en lugares donde tales líquidos puedan estar presentes. Los gases de esas sustancias pueden crear un peligro de incendio o explosión.
- No aspire elementos que estén en llamas o humeando, tales como cigarrillos, fósforos o cenizas calientes.
- No use la aspiradora sin el contenedor de polvo ni filtros instalados.
- Limpie siempre el contenedor de polvo

## INSTRUCCIONES DE SEGURIDAD IMPORTANTES

después de aspirar limpiadores o aromatizantes de alfombras, polvo y polvillo fino. Estos productos se pegan a los filtros, reducen el caudal de aire y pueden provocar daños a la aspiradora. No limpiar el contenedor de polvo podría causar daños permanentes a la aspiradora.

- No use la aspiradora para aspirar objetos afilados, juguetes pequeños, sujetapapeles, etc., ya que podría dañar la aspiradora o el contenedor de polvo.
- Usted es responsable de garantizar que nadie que no sea capaz de operar su aspiradora adecuadamente lo haga.

## GUARDE ESTAS INSTRUCCIONES

El correcto ensamblaje y el uso seguro de su aspiradora son su responsabilidad. Su aspiradora está diseñada solo para **uso doméstico**. Lea esta guía de uso y cuidado para obtener información importante sobre uso y seguridad. Esta guía contiene afirmaciones de seguridad bajo símbolos de advertencia y precaución.

## **GARANTÍA DE LA ASPIRADORA**

### **GARANTÍA LIMITADA**

DURANTE UN AÑO a contar de la fecha de venta, este producto está garantizado contra defectos en sus materiales o fabricación.

Un producto defectuoso puede reemplazarse por uno nuevo, de manera gratuita, considerando que se presente una PRUEBA DE VENTA.

La marca Kenmore se utiliza bajo licencia. Dirija sus reclamaciones de garantía a: 1-877-531-7321 (Estados Unidos) / 1-844-608-3081 (Canadá).

Esta garantía no cubre los filtros ni correas, las cuales son piezas desechables que pueden desgastarse debido al uso normal dentro del periodo de garantía.

Esta garantía queda nula si el producto llega a usarse para algún propósito que no sea el uso privado doméstico. Esta garantía le entrega derechos legales específicos que pueden variar según su estado (podría tener otros derechos adicionales).

Cleva North America, Inc., Greenville SC 29607

## PIEZAS Y CARACTERÍSTICAS

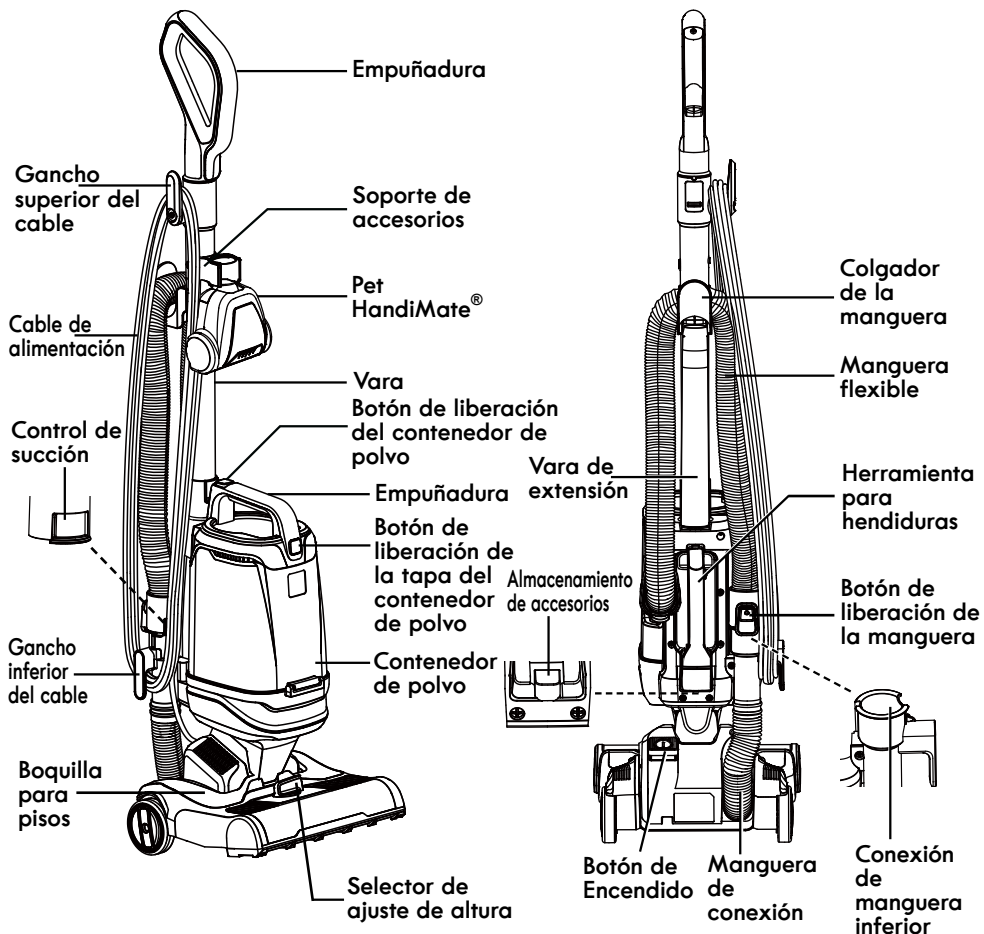
Es importante conocer las partes y características de su aspiradora para garantizar su uso adecuado y seguro. Revise estas indicaciones antes de usar su aspiradora.

### PIEZAS DE REPUESTO

Artículo	N° de parte (Estados Unidos)	N° de parte (Canadá)
Filtro de espuma	561055105	561055105
Filtro de fieltro	561055106	561055106
Correa	571025101	571025101
Rodillo de cepillo	571027101	571027101
Vara	571025107	571025107
Empuñadura	571027102	571027102
Manguera flexible	571027103	571027103
Vara de extensión	561055128	561055128
Herramienta para hendiduras	571030101	571030101
Herramienta para tapizados	561055176	561055176
Pet HandiMate®	561014106	561014106

Para solicitar una pieza de repuesto, llame al 1-877-531-7321 (EE. UU.) / 1-844-608-3081 (Canadá).

# PIEZAS Y CARACTERÍSTICAS





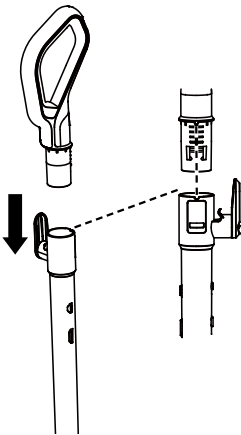


Preste especial atención a estos cuadros de alerta de peligro y siga todas las instrucciones indicadas. Las declaraciones de **ADVERTENCIA** lo alertan sobre riesgos tales como incendio, descarga eléctrica, quemaduras y lesiones personales. Las declaraciones de **PRECAUCIÓN** lo alertan sobre riesgos tales como lesiones personales o daño a la propiedad.

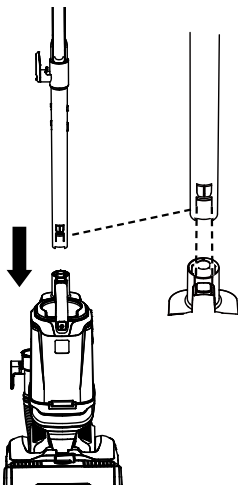
## INSTRUCCIONES DE ENSAMBLAJE

Antes de armar la aspiradora, revise la LISTA DE PIEZAS INCLUIDAS (página 1). Utilice esta lista para comprobar que ha recibido todos los componentes de su nueva aspiradora vertical sin bolsa Kenmore.

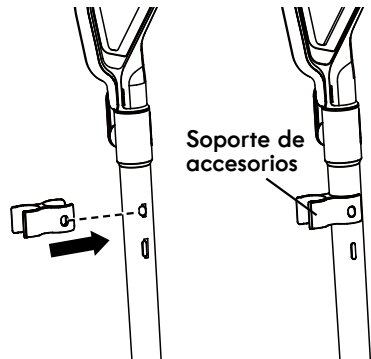
1. Inserte la empuñadura en la vara hasta escuchar un "clic".



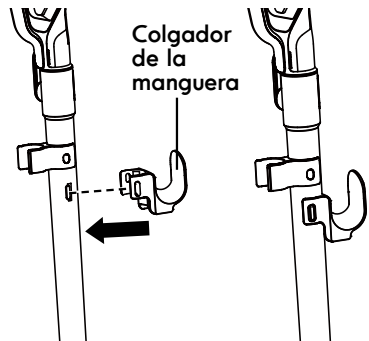
2. Inserte la vara en la unidad principal hasta escuchar un sonido de "clic".



3. Alinee el pasador del soporte de accesorios con la parte frontal de la vara como se indica. Asegúrese de que el orificio ovalado se alinee con la parte correspondiente que sobresale de la vara. Empuje y haga calzar en la vara.

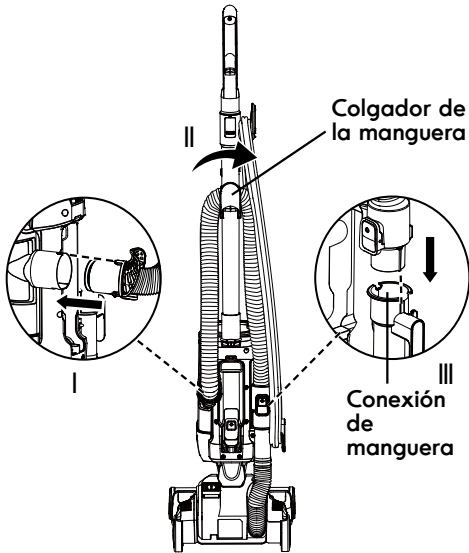


4. Alinee el colgador de la manguera con la parte posterior de la vara como se indica. Asegúrese de que el orificio ovalado grande se alinee con la parte correspondiente que sobresale de la vara. Empuje y haga calzar en la vara.

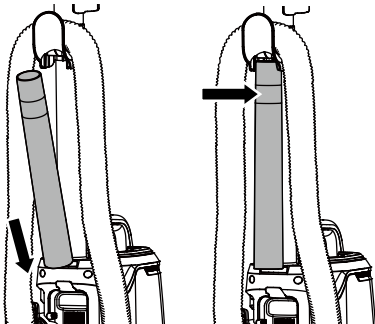


## INSTRUCCIONES DE ENSAMBLAJE

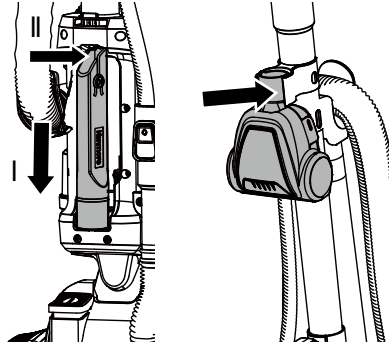
5. Inserte un extremo de la manguera flexible en la unidad principal hasta escuchar un sonido de "clic". Luego, pase la manguera flexible sobre el colgador de la manguera. Introduzca el otro extremo de la manguera en la conexión de manguera inferior como se indica en la figura, hasta escuchar un "clic".



6. Almacene la vara de extensión bajo el colgador de la manguera como se indica. Asegúrese de que el extremo más pequeño de la vara de extensión esté hacia arriba. Empuje y haga calzar en posición.

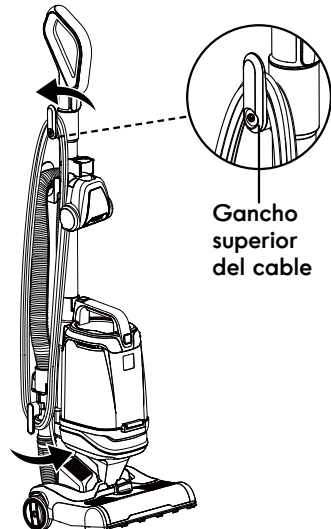


7. Inserte la herramienta para hendiduras en el poste de almacenamiento de accesorios que está en la parte posterior de la unidad principal. El accesorio Pet HandiMate® se almacena en el soporte de accesorios de la vara.



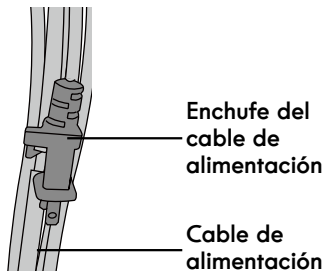
8. Asegúrese de que el gancho superior del cable esté en la posición correcta, tal como se indica. Envuelva el cable de alimentación sin apretar alrededor de los ganchos superior e inferior del cable.

**NOTA:** Asegúrese de enrollar el cable de alimentación en el gancho superior del cable primero y, luego, alrededor del gancho inferior del cable para así evitar dañar el cable.



## INSTRUCCIONES DE ENSAMBLAJE

9. Fije el enchufe correspondiente al cable de alimentación.



### ADVERTENCIA

Riesgo de descarga eléctrica y lesiones personales

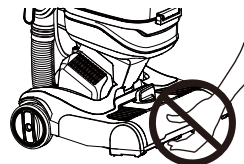
Enrollar el cable demasiado firme y con tensión excesiva puede provocar daños. Un cable dañado representa un peligro de descarga eléctrica y podría causar lesiones a las personas o daños.

## INSTRUCCIONES DE USO



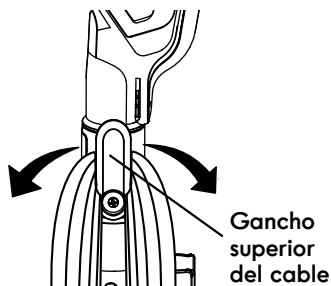
### PRECAUCIÓN

¡Piezas móviles! Para reducir el riesgo de lesiones personales, **NO** toque el cepillo de rodillo mientras la aspiradora está encendida. Tocar el cable de rodillo mientras está girando puede cortar, golpear o provocar otras lesiones. Desconecte la aspiradora de la toma de corriente antes de repararla o limpiarla. Tenga cuidado al usarlo cerca de niños o mascotas.



## CABLE DE ALIMENTACIÓN: LIBERACIÓN Y USO

1. Gire el gancho superior del cable hacia ambos lados para liberar el cable de alimentación.



### ADVERTENCIA

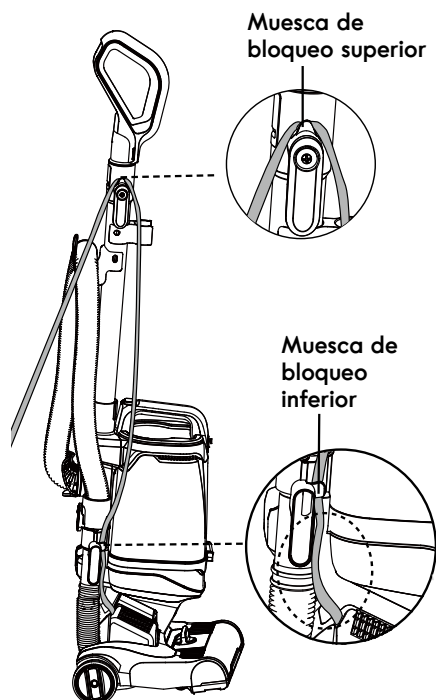
Para reducir el riesgo de descarga eléctrica, este electrodoméstico posee una clavija polarizada (una punta es más ancha que la otra). Esta clavija calzará en la toma de corriente de pared polarizado solo en una posición. Si la clavija no entra completamente en la toma de corriente, póngala al revés. Si aún no calza, contacte a un técnico electricista calificado que pueda ayudarle a instalar la toma de corriente indicado. No modifique la clavija de ningún modo.

## CABLE DE ALIMENTACIÓN: LIBERACIÓN Y USO

2. Separe la clavija del cable de alimentación.
3. Asegúrese de que el cable de alimentación esté bloqueado en las muescas de bloqueo inferior y superior como se indica. Esto ayudará a controlar el cable de alimentación mientras se esté usando la aspiradora.

**NOTA:** Bloquee el cable primero en la muesca de bloqueo inferior y luego en la superior, para así evitar dañarlo.

Asegúrese de que el cable de alimentación pueda moverse libremente y que no esté sobreextendido al bloquearlo en la muesca de bloqueo inferior.



4. Enchufe el cable de alimentación a un tomacorriente que se encuentre cerca del piso.

### **ADVERTENCIA**

Riesgo de daños al producto y lesiones personales

- Cuando ocurra una anomalía/falla, deje de usar el producto inmediatamente y desconecte la clavija.
- **NO** utilice tomacorrientes que estén sobre mesones o mesas. El cable podría dañar algunos artículos o al área circundante.

5. Presione el botón de encendido con el pie para encender la aspiradora.
6. Tras haber terminado de aspirar, presione nuevamente el botón de encendido y desconecte la clavija del cable de alimentación de la toma de corriente.
7. Para almacenar el cable de alimentación después de usarlo, coloque el gancho superior del cable en posición recta. Luego, enrolle el cable con holgura en los ganchos.

### **ADVERTENCIA**

Riesgo de descarga eléctrica y lesiones personales

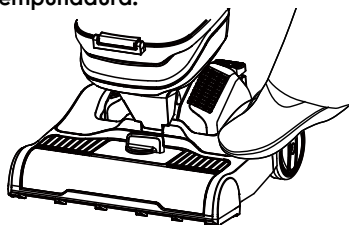
Enrollar el cable demasiado firme aplica tensión sobre el mismo y puede provocar daños. Un cable dañado representa un peligro de descarga eléctrica y podría causar lesiones a las personas o daños.

# MODOS DE FUNCIONAMIENTO

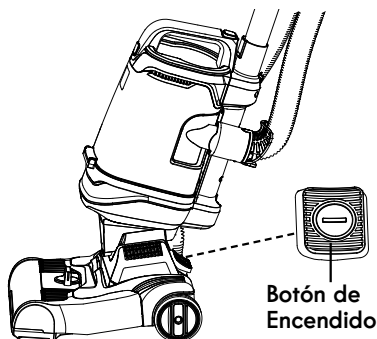
## MODO RECTO

**NOTA:** Asegúrese de que la aspiradora esté completamente ensamblada y que el contenedor de polvo esté vacío antes de usar la aspiradora. No use la aspiradora sin los filtros instalados.

1. Suelte la empuñadura colocando un pie en la boquilla para pisos y jalando hacia atrás para cambiar la posición de la empuñadura.

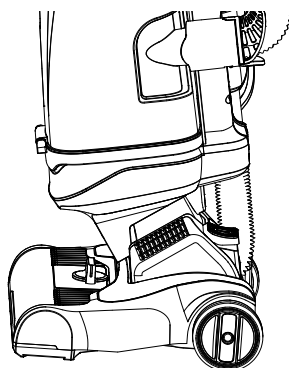


2. Encienda la aspiradora presionando el botón de encendido con el pie.



3. Cuando la aspiradora esté encendida, úsela inclinando la empuñadura hacia usted, dejando a la boquilla pareja con la superficie del suelo.

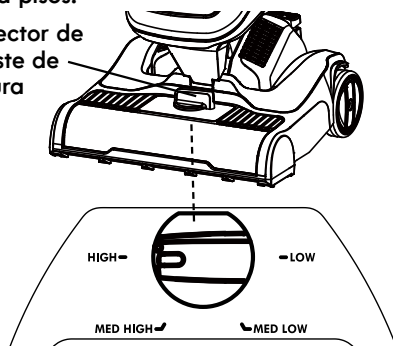
4. Al terminar de aspirar, presione nuevamente el botón de encendido. Devuelva la empuñadura a la posición recta empujando la empuñadura hacia adelante hasta que el cuerpo de la aspiradora quede bloqueado en posición. Desconecte el cable de alimentación de la toma de corriente.



## SELECCIÓN DE LA ALTURA DEL PELO Y AJUSTES

Seleccione un ajuste de altura del pelo girando el selector ubicado en la boquilla para pisos.

Selector de ajuste de altura



## Ajustes de altura recomendados

Hay cuatro (4) ajustes de altura para la aspiradora. Para la limpieza más profunda de alfombras de pelo corto, use el ajuste MED LOW. Sin embargo, tal vez desee levantar la altura para facilitar algunos trabajos, como al aspirar alfombras separadas y algunas de pelo largo.

Los ajustes recomendados son:

LOW - piso sin cubrir

MED LOW - alfombra de pelo corto

MED HIGH - alfombra de pelo medio a largo

## MODOS DE FUNCIONAMIENTO

HIGH - alfombras de pelo largo, desmechadas o alfombrillas



### PRECAUCIÓN

Un ajuste incorrecto podría dañar al piso.



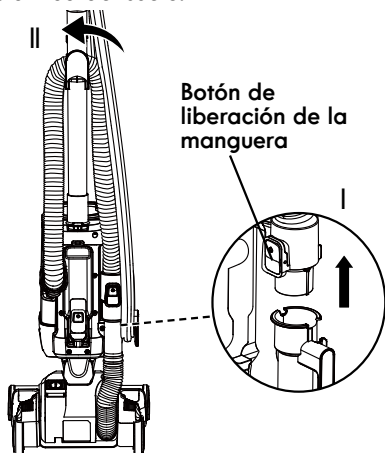
### PRECAUCIÓN

No deje que la aspiradora permanezca en un solo lugar, sin importar la cantidad de tiempo, cuando el cepillo de rodillo esté girando. Podría dañar el suelo.

### MODO DE LIMPIEZA MÁS ARRIBA DEL SUELO

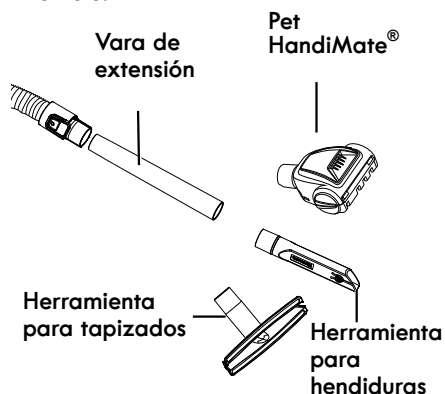
**NOTA:** El cepillo de rodillo sigue girando al usar la aspiradora en el modo de limpieza más arriba del suelo. Para evitar dañar la alfombra de pelo largo, NO coloque la aspiradora en la alfombra. Coloque el selector de ajuste de altura en HIGH para evitar daños en el suelo.

1. Coloque la aspiradora en posición de bloqueo recta.
2. Presione el botón de liberación de la manguera para liberar la manguera flexible y poder ejecutar la limpieza más arriba del suelo.



Botón de liberación de la manguera

3. Elija el accesorio deseado/vara de extensión e insértelo en la manguera flexible.



4. Encienda la aspiradora presionando el botón de encendido con el pie.
5. Tras haber terminado de aspirar, presione nuevamente el botón de encendido y desconecte el cable de alimentación de la toma de corriente.

**NOTA:** El accesorio también se puede insertar directamente en la manguera flexible para limpiar más arriba del suelo.



## MODOS DE FUNCIONAMIENTO



### PRECAUCIÓN

Al usar accesorios, tenga cuidado de no estirar la manguera flexible más de la cuenta. Estirar la manguera más allá de su capacidad podría provocar que la aspiradora se vuelque.



### PRECAUCIÓN

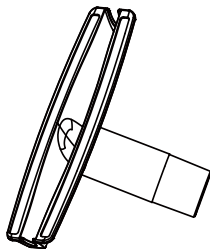
NO tire de la manguera para mover la aspiradora dentro de la habitación. Podrían producirse daños a la propiedad o lesiones personales.

## ACCESORIOS

### HERRAMIENTA PARA TAPIZADOS

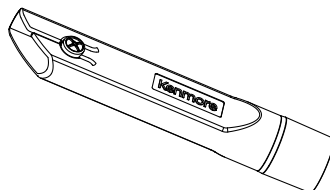
La herramienta para tapizados se puede fijar al extremo de la manguera flexible y vara de extensión. Deslice el collarín de la herramienta en el extremo abierto de la manguera flexible y vara de extensión.

Use la herramienta para tapizados para limpiar superficies de tela tales como sofás y sábanas. Consulte la TABLA DE USO DE ACCESORIOS (página 14).



### HERRAMIENTA PARA HENDIDURAS

Deslice el collarín de la herramienta en el extremo abierto de la manguera flexible y vara de extensión. Utilice la herramienta para hendiduras para limpiar espacios angostos en muebles, entre cojines y en escaleras. Consulte la TABLA DE USO DE ACCESORIOS (página 14).

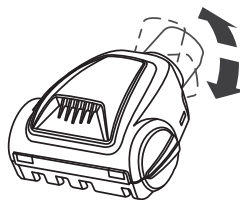


### PET HANDIMATE®

El Pet HandiMate® se puede fijar en el extremo de la manguera flexible y vara de extensión.

El Pet HandiMate® actúa con movimiento de pivote para ofrecer una limpieza práctica.

Use el Pet HandiMate® para limpiar superficies de tela, como muebles y alfombras. Consulte la TABLA DE USO DE ACCESORIOS (página 14).



## ACCESORIOS



### ADVERTENCIA




**JAMÁS** use el Pet HandiMate® directamente sobre mascotas, ya que puede provocarles lesiones.



### PRECAUCIÓN

Use los accesorios cuando la aspiradora esté derecha.

## TABLA DE USO DE ACCESORIOS

ACCESORIO	ÁREA DE LIMPIEZA					Rodapiés
	Mueble*	Entre cojines*	Cortinas*	Escaleras		
				Alfombra	Liso	
HERRAMIENTA PARA TAPIZADOS 	✓		✓			✓
HERRAMIENTA PARA HENDIDURAS 	✓	✓		✓	✓	✓
PET HANDIMATE® 	✓			✓		

\*Limpie siempre los accesorios antes de usarlos en telas.



## DESEMPEÑO/CARACTERÍSTICAS DE SEGURIDAD

### VÁLVULA DE PASO

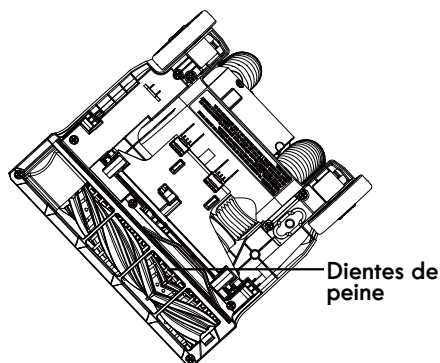
Esta aspiradora tiene una válvula de derivación que evita que el motor se sobrecaliente y se dañe. La válvula se abre para proporcionar refrigeración por aire cuando un tapón evita el paso normal del aire hacia el motor de succión de la aspiradora. Observará un cambio en el sonido cuando el aire entre por la válvula.

**Para corregir el problema:** quite acumulaciones, inspeccione y reemplace los filtros de ser necesario, inspeccione y vacíe el contenedor de polvo de ser necesario.

**NOTA:** La válvula de derivación puede abrirse al usar accesorios o al limpiar alfombras nuevas debido a un flujo de aire reducido o vía de aire bloqueada, provocada por los accesorios mismos o por pelusas de la alfombra nueva que llenen el contenedor de polvo rápidamente.

### CEPILLO DE RODILLO HAIR ELIMINATOR™

Para lograr el máximo desempeño, la boquilla para pisos posee un cepillo eliminador de pelos, el cual evita la acumulación de pelos, hebras y otros sedimentos en el cepillo. Para quitar cualquier pelo enrollado en el cepillo, siga aspirando dejando que el cepillo elimine automáticamente los pelos y los envíe al contenedor de polvo.



**NOTA:** Mantenga siempre el cepillo de rodillo libre de fibra de alfombras, hebras o cabello para así extender su vida útil. Si, por algún motivo, el cepillo de rodillo se enreda con hebras o cabello, deje de usar la aspiradora y limpie el cepillo de rodillo inmediatamente.

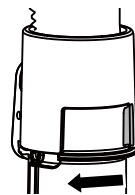
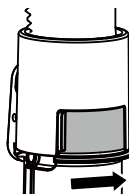
### PRECAUCIÓN

**¡Piezas móviles!** Para reducir el riesgo de lesiones personales, **NO toque el cepillo de rodillo mientras la aspiradora esté encendida.** Tocar el cable de rodillo mientras está girando puede cortar, golpear o provocar otras lesiones.

### CONTROL DE SUCCIÓN

Puede abrir la válvula de control de succión para ayudar con la fuerza de succión/empuje de la aspiradora en superficies tales como alfombras densas, a fin de reducir la succión. Tenga en cuenta que para lograr los mejores resultados posibles, la válvula de control de succión debe estar totalmente cerrada.

- Deslice hacia la derecha para abrir el control de succión y reducir la succión. Abrir el control reduce la succión sobre cortinas y alfombras ligeras.
- Deslice hacia la izquierda para cerrar el control de succión y aumentar la succión. Al cerrar el control se aumenta la succión, para tapizado y alfombras.



## MANTENIMIENTO Y CUIDADO DE LA ASPIRADORA

Siga siempre todas las precauciones de seguridad al realizar mantenimiento a la aspiradora.



### ADVERTENCIA

Riesgo de descarga eléctrica y lesiones personales

Desconecte la aspiradora de la toma de corriente antes de repararla o limpiarla. No hacer esto podría provocar descargas eléctricas o lesiones personales provocadas por un encendido súbito de la aspiradora.



### ADVERTENCIA

La boquilla para pisos posee dientes de peine afilados en su interior. NO toque los dientes del peine al reparar o limpiar la aspiradora o podría provocar lesiones personales.

## LIMPIEZA DEL EXTERIOR Y DE LOS ACCESORIOS

1. Apague y desconecte la aspiradora. NO deje caer agua sobre la aspiradora.
2. Para limpiar el exterior o para reducir la electricidad estática y la obstrucción de polvo, limpie la superficie exterior con un paño limpio y suave que se haya empapado con una solución de detergente líquido suave y agua para luego haberse estrujado. Seque después de limpiar.

**NOTA:** Lave los accesorios en agua tibia jabonosa, enjuague y seque al aire. No limpiar en lavavajillas.



### PRECAUCIÓN

No use accesorios si están mojados. Los accesorios usados en zonas sucias, tales como bajo un refrigerador, no deben usarse en otras superficies sino hasta haberlas lavado. Podrían dejar marcas.

## ALMACENAMIENTO DE LA ASPIRADORA



### ADVERTENCIA

Riesgo de descarga eléctrica y lesiones personales

Enrollar el cable demasiado firme aplica tensión sobre el mismo y puede provocar daños. Un cable dañado representa un peligro de descarga eléctrica y podría causar lesiones a las personas o daños.

1. Coloque los accesorios en posición de almacenamiento de ser necesario (consulte la página 8).
2. Reúna el cable y enróllelo con holgura alrededor de los ganchos superior e inferior del cable. Bloquee el retén de la clavija en el cable de alimentación.
3. Guarde la aspiradora en un área seca en interior, en el piso con la empuñadura trabada en posición vertical.

## VACIADO DEL CONTENEDOR DE POLVO

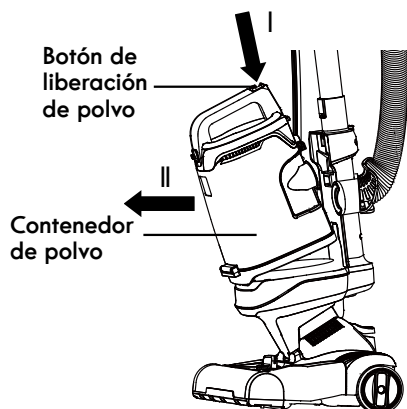


### ADVERTENCIA

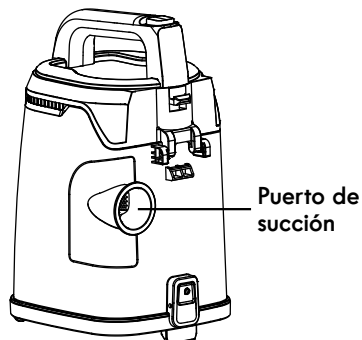
Desconecte siempre el cable de alimentación de la toma de corriente antes de realizar cualquier reparación o limpieza en la aspiradora.

**NOTA:** Para obtener el máximo rendimiento, vacíe el contenedor de polvo después de cada uso. Jamás use la aspiradora sin el contenedor de polvo y filtros instalados.

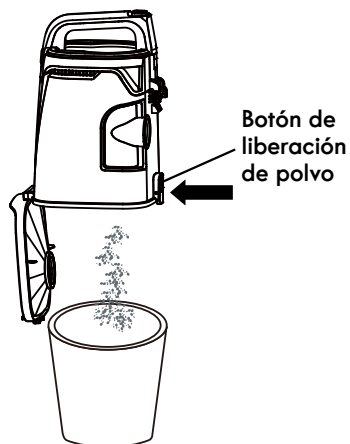
1. Presione el botón de liberación del contenedor de polvo para quitarlo de la unidad principal.



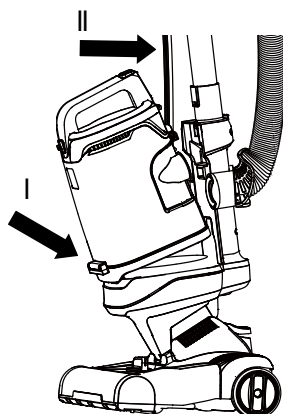
2. Quite cualquier obstrucción que pueda haber en el puerto de succión.



3. Coloque el contenedor de polvo sobre un receptáculo de desechos. Presione el botón de liberación de polvo para abrir la tapa del contenedor de polvo y dejar caer su contenido sobre un receptáculo de desechos.



4. Agite el contenedor de polvo para soltar cualquier sedimento que pueda estar colgando en el prefiltro.
5. Reinstale e inserte el contenedor de polvo en las ranuras de la parte inferior de la unidad principal, luego presione el contenedor de polvo hacia la ranura bloqueada hasta que haga clic y calce en posición.



## LIMPIEZA DEL PREFILTRO

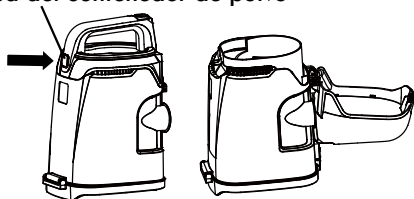
El prefiltro se encuentra dentro del contenedor de polvo. Limpie el prefiltro según sea necesario para optimizar la potencia de succión.

1. Saque el contenedor de polvo como se indica en la sección VACIADO DEL CONTENEDOR DE POLVO (página 17).

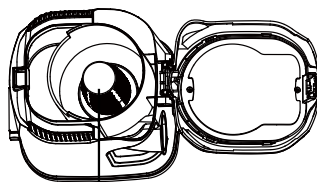
**NOTA:** Asegúrese de que el contenedor de polvo esté libre de sedimentos antes de abrirlo.

2. Press the dust cup lid release button, and open the lid.

Botón de liberación de la tapa del contenedor de polvo



3. Limpie el prefiltro golpeándolo suavemente sobre un contenedor de basura. Para garantizar la mejor limpieza posible, golpéelo desde varios ángulos.



Prefiltro

4. Reinstale el contenedor de polvo en la unidad principal. Consulte las instrucciones de instalación de la sección VACIADO DEL CONTENEDOR DE POLVO (página 17).

## LIMPIEZA DE FILTROS DE FIELTRO Y ESPUMA

Se recomienda limpiar los filtros de espuma y fieltro usando agua fría cada tres meses.

**NOTA:** Cuando limpiar los filtros ya no restaure la potencia de succión de la aspiradora, o cuando los filtros se hayan gastado o dañado, cámbielos. Para comprar filtros, llame al 1-877-531-7321 (Estados Unidos) / 1-844-608-3081 (Canadá).

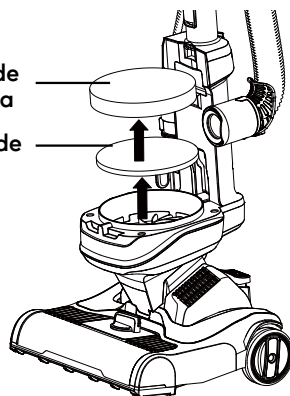
Limpie y reemplace regularmente los filtros para mantener la potencia de succión de la aspiradora a un nivel óptimo.

1. Saque el contenedor de polvo como se indica en la sección VACIADO DEL CONTENEDOR DE POLVO (página 17).

2. Saque los filtros de fieltro y espuma.

Filtro de espuma

Filtro de fieltro



## LIMPIEZA DE FILTROS DE FIELTRO Y ESPUMA

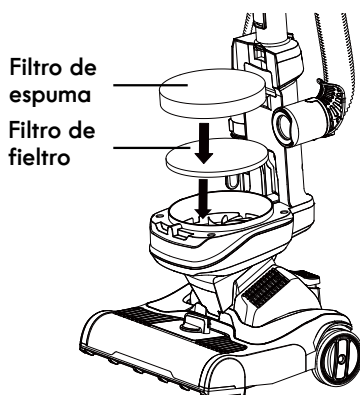
3. Lave usando solo agua fría, NO use detergentes o jabón. Estruje a mano y deje secar al aire. Deje secar todos los filtros durante 24 horas antes de volver a colocarlos en la aspiradora.

**NOTA:** NO usar sin los filtros de espuma y fieltro instalados.

NO lavar en lavavajillas.

NO instale los filtros de espuma y de fieltro si están mojados.

4. Reinstale los filtros de espuma y fieltro en la aspiradora.



5. Reinstale el contenedor de polvo. Consulte VACIADO DEL CONTENEDOR DE POLVO (página 17).

## CAMBIO DE LA CORREA



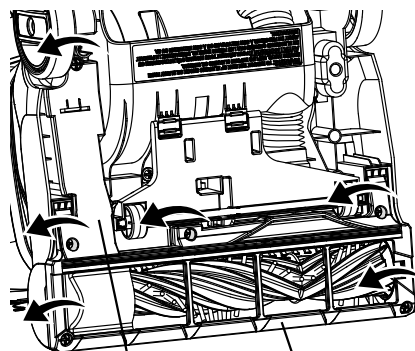
### ADVERTENCIA

Desconecte siempre el cable de alimentación de la toma de corriente antes de realizar mantenimiento a la aspiradora.

Cambie la correa cuando sienta un olor a goma quemada provocado por un resbalamiento excesivo.

**NOTA:** Asegúrese de que el ajuste de altura esté en la posición LOW (baja).

1. Coloque la aspiradora sobre el piso con la parte inferior hacia arriba y la boquilla para pisos plana.
2. Utilice un destornillador Phillips para quitar los seis tornillos de la cubierta de la correa y la placa inferior.

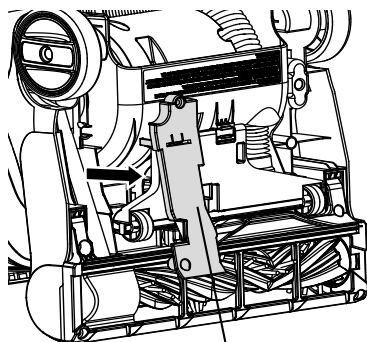


Cubierta de la correa

Placa inferior

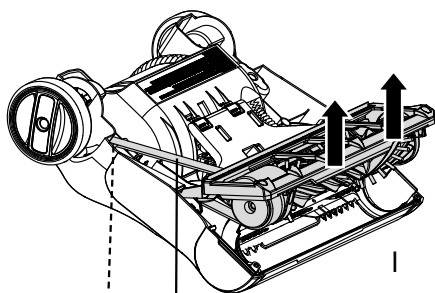
## CAMBIO DE LA CORREA

3. Saque la cubierta de la correa de la boquilla para pisos.

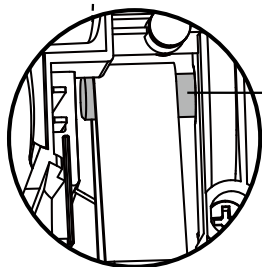


Cubierta de la

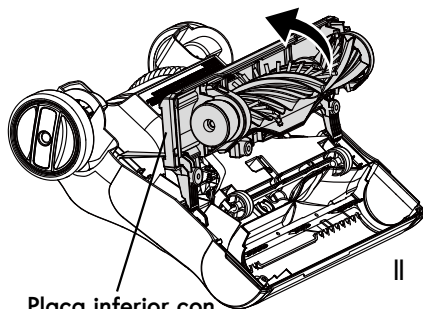
4. Levante la placa inferior combinada con el cepillo para pisos.



Correa



Eje del motor



Placa inferior con cepillo para pisos



**PRECAUCIÓN**  
el eje del motor podría estar caliente.

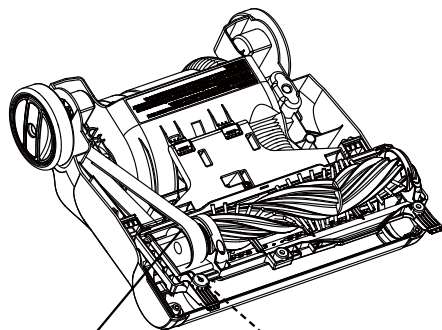


**ADVERTENCIA**  
Hay bordes afilados en el interior para evitar que el cabello se enrede. No coloque ninguna parte del cuerpo en el cepillo para pisos durante el mantenimiento.

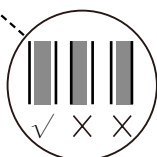
5. Quite la correa gastada o rota.
6. Limpie los sedimentos que la boquilla para pisos pueda tener.
7. Coloque la nueva correa alrededor del eje del motor y la guía para la correa del cepillo de rodillo.

**NOTA:** Antes de reinstalar la placa inferior, asegúrese de que la correa esté en el medio de la guía para la correa como se indica.

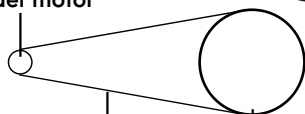
## CAMBIO DE LA CORREA



Ruta de la correa

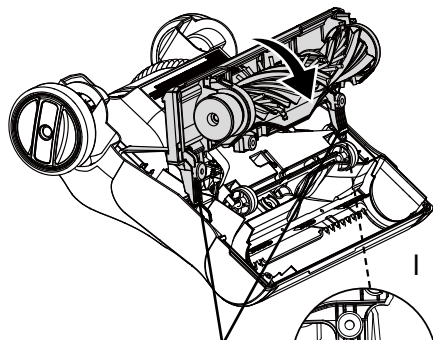


Eje del motor

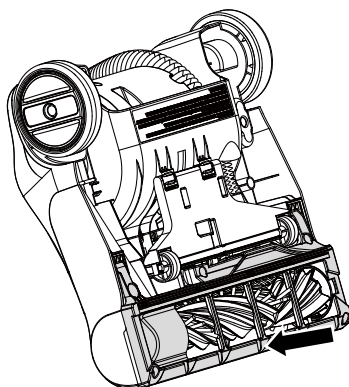
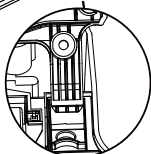


Correa Rodillo de cepillo

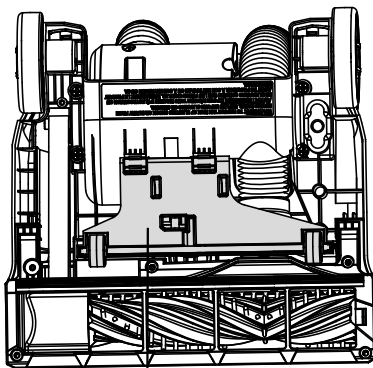
8. Reinstale la placa inferior con el cepillo de rodillo en la boquilla para pisos. Primero alinee las dos pestañas de bloqueo en la placa inferior con las ranuras en la boquilla como se indica. Luego, gire la placa inferior hacia la carcasa del cepillo de rodillo. Presione el centro de la placa inferior hasta escuchar un "clic". Gire el cepillo de rodillo para asegurarse de que la correa está instalada correctamente.



Pestañas de bloqueo



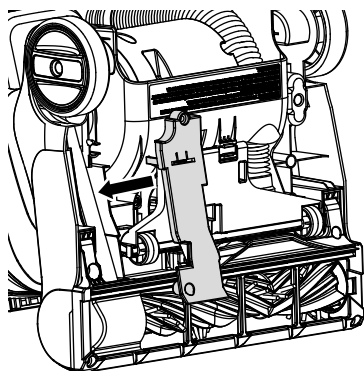
**NOTA:** Compruebe y asegúrese de que el soporte de la rueda pequeña esté bien fijo junto a la placa inferior y que no pueda levantarse.



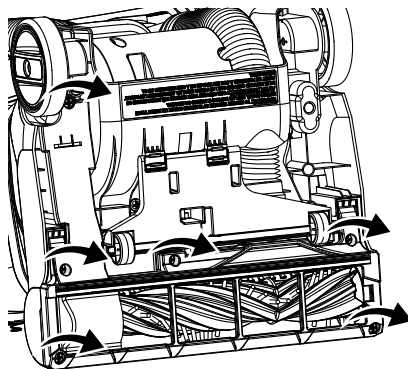
Soporte de la rueda pequeña

## CAMBIO DE LA CORREA

9. Reinstale la cubierta de la correa en posición.



10. Reinstale los seis tornillos en la placa inferior y la cubierta de la correa. No apriete los tornillos más de la cuenta.



## LIMPIEZA CON EL PET HANDIMATE®



### ADVERTENCIA

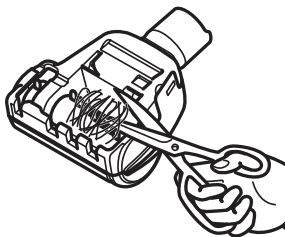
Desenchufe siempre el cable de alimentación de la toma de corriente antes de realizar tareas de mantenimiento en la aspiradora.



### PRECAUCIÓN

Para reducir el riesgo de lesiones provocadas por piezas móviles, saque el Pet HandiMate® de la manguera o vara de la aspiradora antes de realizar reparaciones.

Corte cualquier resto de alfombra y pelusa enredado en el cepillo de rodillo usando un par de tijeras.





# CÓMO QUITAR OBSTRUCCIONES



## ADVERTENCIA

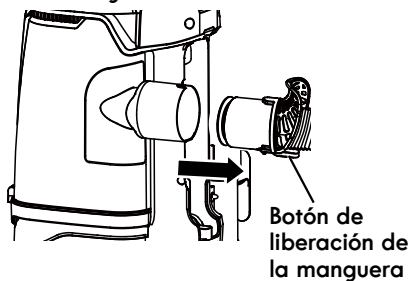
Desconecte la fuente de alimentación antes de quitar obstrucciones. El no seguir estas indicaciones puede provocar lesiones personales o descargas eléctricas.

### COMPROBACIÓN DE OBSTRUCCIONES EN LA MANGUERA FLEXIBLE

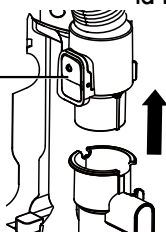
En caso de haber un ruido anormal al usar la aspiradora, o si la potencia de succión cae súbitamente, es necesario revisar que la manguera flexible no tenga tapones.

Revise frecuentemente la vía de aire para asegurarse de que no tenga obstrucciones.

1. Quite los accesorios del extremo de la manguera flexible.
2. Quite los extremos de la manguera flexible de la unidad principal y la conexión inferior de la manguera presionando los botones de liberación de la manguera.



Botón de liberación de la manguera

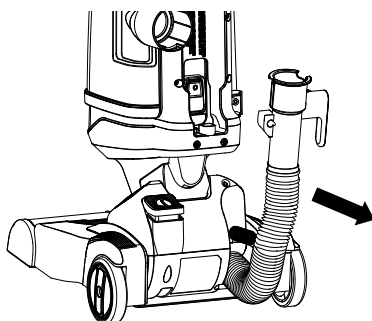
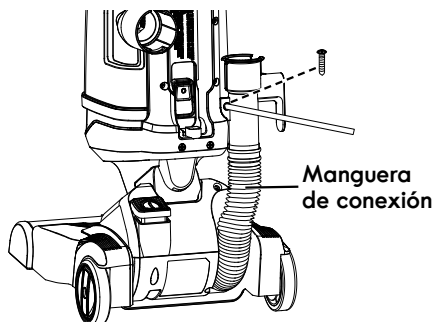


3. Revise y saque cualquier tapón de la manguera flexible.

4. Reinstale la manguera flexible en la aspiradora. Consulte las INSTRUCCIONES DE ENSAMBLAJE (página 8).

### COMPROBACIÓN DE OBSTRUCCIONES EN LA MANGUERA DE CONEXIÓN

1. Revise y quite cualquier obstrucción de la manguera de conexión.
2. De ser necesario, suelte la manguera de conexión quitando un tornillo con un destornillador Phillips y luego revise que no haya acumulaciones.



3. Reinstale la manguera de conexión y fjela con el tornillo. No apriete el tornillo más de la cuenta.

## RESOLUCIÓN DE PROBLEMAS

Revise estas soluciones tipo hágalo usted mismo para resolver problemas de rendimiento menores. Cualquier reparación necesaria que no sean los procedimientos de mantenimiento indicados en esta guía de uso y cuidado se deben realizar mediante un agente de servicio calificado.



### ADVERTENCIA

**Desconecte el suministro eléctrico antes de realizar cualquier trabajo de mantenimiento en la aspiradora. El no seguir estas indicaciones puede provocar lesiones personales o descargas eléctricas.**

PROBLEMA	CAUSA PROBABLE	SOLUCIÓN
La aspiradora no funciona.	Está desenchufada del tomacorriente.	Enchufe firmemente.
	El botón de encendido no se está presionando para encender la aspiradora.	Presione el botón de encendido para encender la aspiradora.
	Toma de corriente defectuosa.	Pruebe usando una lámpara o electrodoméstico que funcione correctamente. Asegúrese de que el cable de alimentación esté conectado completamente en una toma de corriente que esté funcionando.
	El motor está dañado.	Llame al 1-877-531-7321 (Estados Unidos) / 1-844-608-3081 (Canadá) para obtener ayuda.
Recolección de suciedad ineficiente.	La manguera o accesorios no están instalados correctamente.	Revise que la manguera y accesorios estén bien instalados y asegúrese de que se conecten firmemente.
	El contenedor de polvo no está instalado correctamente.	Revise que el contenedor de polvo esté bien instalado y asegúrese de que se conecte firmemente.
	Contenedor de polvo lleno o tapado.	Vacíe el contenedor de polvo (página 17).
	Hay un tapón en la manguera flexible o manguera de conexión de la aspiradora.	Revise y saque cualquier tapón. Siga las instrucciones de la página 23.
	El control de succión está en posición abierta.	Ajuste el control de succión para aumentar la potencia. Siga las instrucciones de la página 15.
	Se debe limpiar o reemplazar el filtro de espuma o fieltro.	Limpie o reemplace el filtro de espuma o fieltro. Siga las instrucciones de limpieza del filtro de espuma y fieltro que aparecen en la página 18-19.

## RESOLUCIÓN DE PROBLEMAS

	La manguera flexible está gastada.	Cambie la manguera. Para comprar piezas, llame al 1-877-531-7321 (Estados Unidos) / 1-844-608-3081 (Canadá).
	La manguera de conexión está gastada.	Llame al 1-877-531-7321 (Estados Unidos) / 1-844-608-3081 (Canadá) para obtener ayuda.
	El cepillo de rodillo está gastado.	Llame al 1-877-531-7321 (Estados Unidos) / 1-844-608-3081 (Canadá) para obtener ayuda.
Sale polvo de la aspiradora.	El contenedor de polvo está instalado incorrectamente.	Coloque correctamente el contenedor de polvo y hágalo calzar con firmeza en posición.
	El filtro de espuma o fieltro está gastado o roto.	Inspeccione y reemplace el filtro de espuma o fieltro. Para comprar piezas, llame al 1-877-531-7321 (Estados Unidos) / 1-844-608-3081 (Canadá).
El cepillo de rodillo no gira.	El cepillo de rodillo está atascado.	Llame al 1-877-531-7321 (Estados Unidos) / 1-844-608-3081 (Canadá) para obtener ayuda.
	El cepillo de rodillo no está instalado correctamente.	Llame al 1-877-531-7321 (Estados Unidos) / 1-844-608-3081 (Canadá) para obtener ayuda.
	La correa no está bien colocada.	Revise cómo ajustar la correa en la página 19-22.
	La correa está gastada o rota.	Cambie la correa. Para comprar piezas, llame al 1-877-531-7321 (Estados Unidos) / 1-844-608-3081 (Canadá).
El flujo de aire se restringe al usar accesorios; el sonido cambia.	La vía aérea está bloqueada.	Revise y quite cualquier obstrucción y despeje la vía aérea. Siga las instrucciones de la página 23.
	Los accesorios en uso restringen el flujo de aire.	Revise que los accesorios no tengan pelusas, pelo de mascotas u otros sedimentos.
La aspiradora se apaga sola.	La clavija del cable de alimentación se suelta de la toma de corriente al usar la aspiradora.	Reinserte la clavija del cable de alimentación en la toma de corriente. Evite tirar del cable de alimentación o arrastrarlo al usar la aspiradora.
	El motor está dañado.	Llame al 1-877-531-7321 (Estados Unidos) / 1-844-608-3081 (Canadá) para obtener ayuda.

## SOMMAIRE

Avant utilisation de votre nouvel aspirateur.....	1
Liste du contenu.....	1
Consignes Importantes De Sécurité.....	2-3
Garantie de l'Aspirateur .....	4
Pièces et Fonctionnalités.....	5-6
Instructions de montage.....	7-9
Instructions d'utilisation .....	9-14
Caractéristiques de performance/sécurité.....	15
Entretien Et Soins De L'Aspirateur.....	16-23
Dépannage.....	24-25
Demande d'Assistance ou de Service.....	Couverture Arrière

## AVANT UTILISATION DE VOTRE NOUVEL ASPIRATEUR

Veuillez lire le présent Guide d'utilisation et d'entretien. Il vous sera utile pour monter et utiliser votre nouvel aspirateur Kenmore en toute sécurité et de la façon la plus efficace possible.

Pour de plus amples informations concernant l'entretien et l'utilisation de votre aspirateur, veuillez appeler le Service d'Aide En Ligne sur les Aspirateurs en composant le numéro : 1-877-531-7321 (États-Unis) / 1-844-608-3081 (Canada). Lorsque vous demandez des renseignements, vous devez disposer des numéros de modèle et de série complets du produit.

Les numéros de modèle et de série de votre aspirateur figurent sur la plaque signalétique apposée sur le produit. Notez le numéro de modèle et le numéro de série de votre nouvel aspirateur Kenmore dans l'espace ci-dessous.

Modèle N° \_\_\_\_\_

N° de série \_\_\_\_\_

Date d'achat \_\_\_\_\_

Veuillez conserver en lieu sûr le présent manuel ainsi que votre ticket de caisse (reçu) afin de pouvoir vous y référer ultérieurement.

## LISTE DU CONTENU

Votre ASPIRATEUR KENMORE est emballé avec les pièces et composants suivants montés séparément dans le carton:

- |  |                                      |
|--|--------------------------------------|
| 1 Aspirateur-Balai (avec Suceur de Plancher) | 1 Emplacement de rangement du tuyau  |
| 1 Manche                                     | 1 Tube de rallonge                   |
| 1 Tuyau Flexible                             | 1 Suceur plat                        |
| 1 Tube                                       | 1 Brosse À Meubles                   |
| 1 Porte-Accessoires                          | 1 Accessoire Pet HandiMate®          |
|  | 1 Guide D'Utilisation Et D'Entretien |

## CONSIGNES IMPORTANTES DE SÉCURITÉ

Veuillez lire l'intégralité des consignes du présent guide avant de monter ou d'utiliser votre aspirateur.

### **AVERTISSEMENT!**

**Votre sécurité est importante pour nous. Pour réduire tous risques d'incendie, d'électrocution, de blessures corporelles ou de dommages matériels lors de l'utilisation de votre aspirateur, suivez les précautions de sécurité de base suivantes:**

- Utilisez votre aspirateur uniquement de la manière décrite dans le présent Guide D'Utilisation Et D'Entretien. Utilisez exclusivement les accessoires recommandés par le fabricant.
- Coupez l'alimentation électrique avant de procéder à l'entretien ou à la réparation ou au nettoyage de la zone de la brosse à rouleau. Le non-respect de cette consigne peut entraîner un démarrage inattendu de la brosse à rouleau et des blessures corporelles dues aux pièces mobiles.
- Ne pas laisser l'aspirateur lorsqu'il est branché. Débranchez celui-ci de la prise de courant lorsque vous ne l'utilisez et avant de procéder à son entretien.
- Afin de réduire tous risques d'électrocution, ne pas utiliser l'appareil à l'extérieur ni sur des surfaces humides.
- Ne pas permettre que l'appareil soit utilisé comme un jouet. Soyez très attentif s'il est utilisé par des enfants ou si des enfants se trouvent à proximité.
- Ne pas utiliser avec un cordon ou une fiche endommagé(e). Si l'aspirateur ne fonctionne pas comme il le devrait, s'il est tombé, s'il a été endommagé, s'il a été laissé à l'extérieur ou s'il est tombé dans de l'eau, cessez immédiatement de l'utiliser et composez le numéro : 1-877-531-7321 (États-Unis) / 1-844-608-3081 (Canada) pour obtenir de l'aide.
- Ne pas tirer ni porter l'appareil en utilisant le cordon. Ne pas utiliser celui-ci en guise de poignée ou pour fermer une porte et ne pas l'enrouler autour de bords coupants ou d'arêtes vives. Ne pas faire fonctionner l'aspirateur par dessus le cordon. Maintenez le cordon à l'écart de toutes surfaces chaudes.
- Ne pas débrancher l'appareil en tirant sur le cordon. Pour débrancher le produit, saisissez la fiche, pas le cordon.
- Ne pas manipuler la fiche ou l'aspirateur avec les mains mouillées.
- N'introduire aucun objet dans les orifices de l'appareil.
- Ne pas utiliser l'appareil si un orifice est bouché. Faites en sorte que les orifices ne soient pas encombrés de poussières, peluches, cheveux ou de toute autre objet susceptible de gêner la circulation de l'air.
- Maintenez vos cheveux, vêtements amples, doigts et toutes parties du corps à l'écart des orifices et des pièces mobiles.
- Coupez toutes les commandes de l'appareil avant de le débrancher.
- Faites très attention lorsque vous nettoyez des escaliers.
- Ne pas poser le produit sur des chaises, des tables, etc. Maintenez-le sur le plancher.
- Ne pas utiliser l'aspirateur pour aspirer des liquides inflammables ou combustibles (essence, liquide de nettoyage, parfums, etc.) ou l'utiliser

## CONSIGNES IMPORTANTES DE SÉCURITÉ

dans des endroits où ces substances peuvent être présentes. Les vapeurs de ces substances peuvent créer un risque d'incendie ou d'explosion.

- Ne pas aspirer de matières en combustion ou qui dégagent de la fumée, telles que des cigarettes, des allumettes ou des cendres chaudes.
- Ne pas utiliser d'aspirateur sans le bac à poussières et/ou des filtres en place.
- Nettoyez toujours le bac à poussière après aspiration de nettoyeurs de tapis ou d'assainisseurs, de poudres et de poussières fines. Ces produits obstruent les filtres, réduisent le flux d'air et risquent d'endommager l'aspirateur. Le non-nettoyage du bac à poussière risque d'endommager définitivement l'aspirateur.
- Ne pas utiliser l'aspirateur pour aspirer des objets durs et pointus, des petits jouets, des épingles, des trombones, etc. Ceux-ci risquent d'endommager l'aspirateur ou le bac à poussière.
- Il vous incombe de vous assurer que votre aspirateur n'est utilisé par aucune personne incapable de le faire fonctionner correctement.

## VEUILLEZ CONSERVER LES PRÉSENTES CONSIGNES

Un bon montage et une utilisation en toute sécurité de votre aspirateur relèvent de votre responsabilité. Votre aspirateur est conçu pour un **Usage Domestique**. Lisez attentivement le présent guide d'utilisation et d'entretien pour connaître les consignes de sécurité et d'utilisation importantes qu'il contient. Le présent guide contient des consignes de sécurité sous des symboles d'avertissement et de mise en garde.

## **GARANTIE DE L'ASPIRATEUR**

### **GARANTIE LIMITÉE**

PENDANT UN AN à compter de la date de vente, ce produit est garanti contre tout défaut de matériau ou de fabrication.

MUNI D'UNE PREUVE DE VENTE, tout produit défectueux peut être retourné au revendeur aux fins de remplacement gratuit.

La marque Kenmore est utilisée sous licence. Adressez toutes les demandes de service sous garantie en composant le numéro: 1-877-531-7321 (États-Unis) / 1-844-608-3081 (Canada).

Sont exclus de la garantie les filtres ou les courroies, qui sont des pièces à usage unique susceptibles de s'user durant la période de garantie des suites d'un usage normal.

La présente garantie sera nulle et non avenue en cas d'utilisation éventuelle de ce produit à toutes autres fins que personnelles et privées. La présente garantie vous accorde des droits spécifiques légaux, mais vous pouvez également avoir d'autres droits qui varient selon les États.

Cleva North America, Inc., Greenville SC 29607

## PIÈCES ET FONCTIONNALITÉS

Il est important de connaître les pièces ainsi que les fonctionnalités de votre aspirateur afin d'en assurer une utilisation correcte et en toute sécurité. Examinez-les avant d'utiliser votre aspirateur.

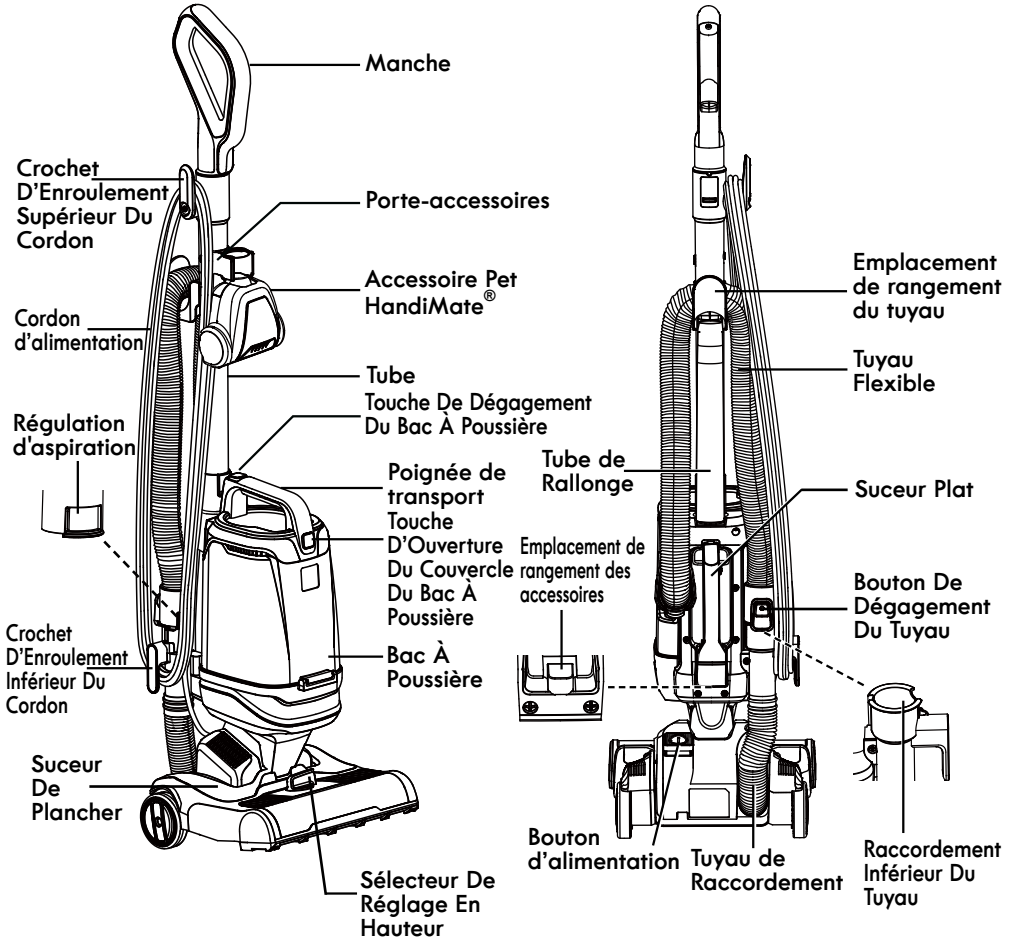
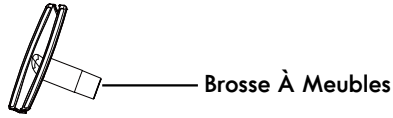
### PIÈCES DE RECHANGE

Élément	Pièce N° (États-Unis)	Pièce N° (Canada)
Filtre en mousse	561055105	561055105
Filtre en Feutre	561055106	561055106
Courroie	571025101	571025101
Brosse à rouleau	571027101	571027101
Tube	571025107	571025107
Manche	571027102	571027102
Tuyau Flexible	571027103	571027103
Tube de Rallonge	561055128	561055128
Suceur Plat	571030101	571030101
Brosse À Meubles	561055176	561055176
Accessoire Pet HandiMate®	561014106	561014106

Pour passer commande d'une pièce de rechange, veuillez composer le numéro: 1-877-531-7321 (États-Unis) / 1-844-608-3081 (Canada).



# PIÈCES ET FONCTIONNALITÉS



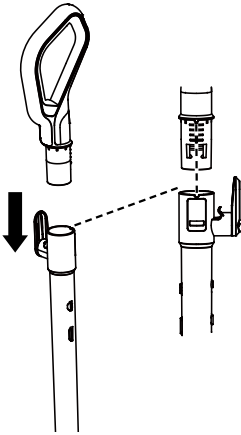


Veillez porter une attention particulière à ces boîtes d'alerte et suivre les instructions données. Les **AVERTISSEMENTS** vous alertent sur les dangers tels que les risques d'incendie, d'électrocution, de brûlures et de blessures corporelles. Les **MISES EN GARDE** vous alertent sur des risques tels que blessures corporelles et/ou dommages matériels.

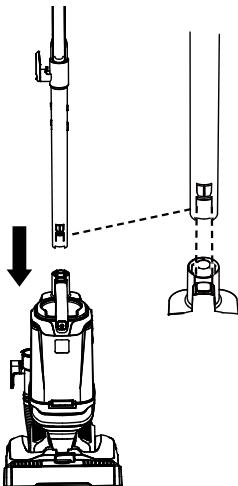
## INSTRUCTIONS DE MONTAGE

Avant de monter l'aspirateur, consultez la **LISTE DU CONTENU** (page 1). Utilisez ladite liste afin de vous assurer de la réception de tous les composants de votre nouvel Aspirateur Balai Sans Sac Kenmore.

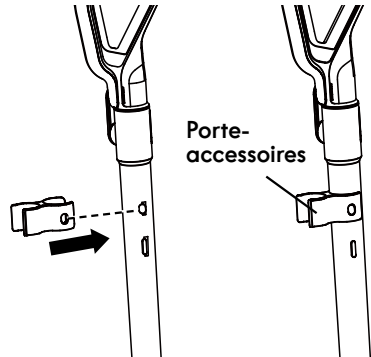
1. Insérez le manche dans le tube jusqu'à ce que vous entendiez un « déclic ».



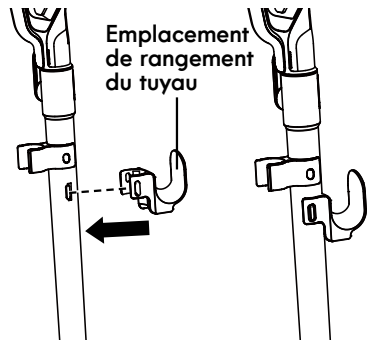
2. Insérez le tube dans le corps principal jusqu'à ce que vous entendiez un « déclic ».



3. Alignez l'agrafe du porte-accessoires sur l'avant du tube, ainsi qu'illustré. Assurez-vous que le trou ovale est aligné sur la protubérance correspondante sur le tube. Appuyez dessus afin qu'elle s'enclenche sur le tube.

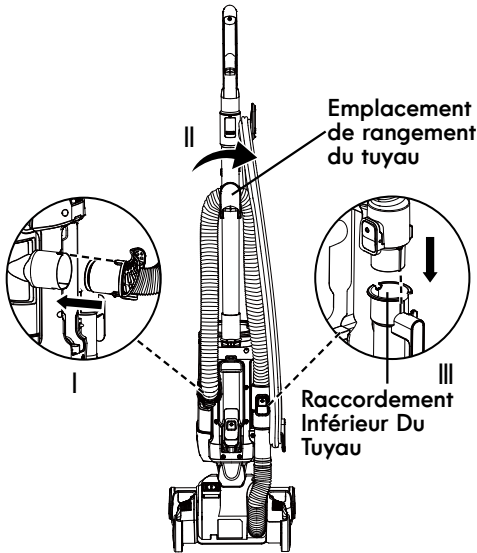


4. Alignez l'emplacement de rangement du tuyau sur le dos du tube, ainsi qu'illustré. Assurez-vous que le grand trou ovale est aligné sur la protubérance correspondante sur le tube. Appuyez dessus afin qu'elle s'enclenche sur le tube.

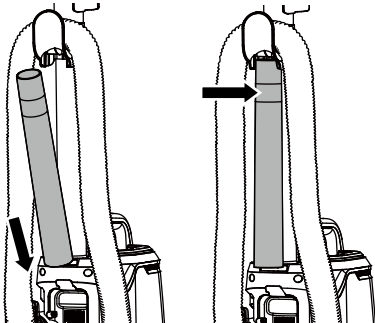


## INSTRUCTIONS DE MONTAGE

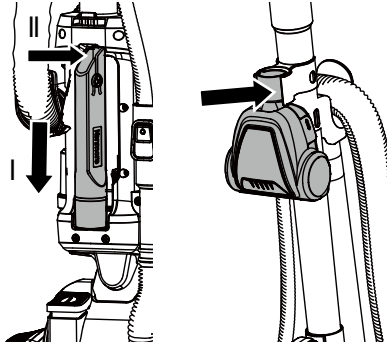
5. Insérez une extrémité du tuyau flexible dans le corps principal, ainsi qu'illustré, jusqu'à ce que vous entendiez un « dé clic ». Ensuite, faites passer le tuyau flexible par dessus l'emplacement de rangement du tuyau. Insérez l'autre extrémité du tuyau dans le raccordement inférieur du tuyau, ainsi qu'illustré, jusqu'à ce que vous entendiez un « dé clic ».



6. Rangez le tube de rallonge sous l'emplacement de rangement du tuyau, ainsi qu'illustré. Assurez-vous que l'extrémité la plus petite du tube de rallonge est orientée vers le haut. Appuyez dessus pour l'enclencher en place.

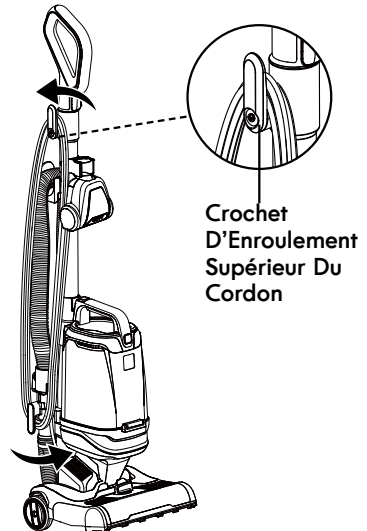


7. Insérez suceur plat sur le poteau de l'emplacement de rangement des accessoires situé au dos du corps principal. L'accessoire Pet HandiMate® est rangé dans le porte-accessoires sur le tube.



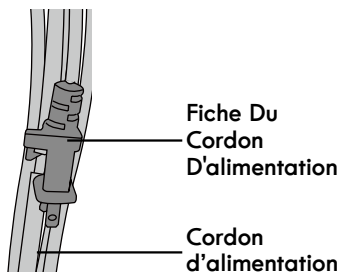
8. Assurez-vous que le crochet d'enroulement supérieur du cordon est correctement positionné, ainsi qu'illustré. Enroulez le cordon d'alimentation sans le serrer autour des crochets d'enroulement supérieur et inférieur du cordon.

**REMARQUE:** Veillez à enrouler le cordon d'alimentation autour du crochet d'enroulement supérieur en premier, puis autour du crochet d'enroulement inférieur afin d'éviter d'endommager le cordon d'alimentation.



## INSTRUCTIONS DE MONTAGE

9. Verrouillez la fiche du cordon d'alimentation sur le cordon d'alimentation.



### AVERTISSEMENT

Risques D'Électrocution et De Blessures Corporelles

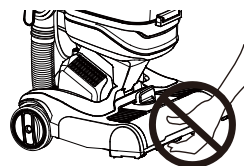
L'enroulement trop serré du cordon soumis à un stress excessif risque d'endommager celui-ci. Un cordon endommagé présente des risques d'électrocution et peut entraîner des blessures corporelles ou des dommages.

## INSTRUCTIONS D'UTILISATION



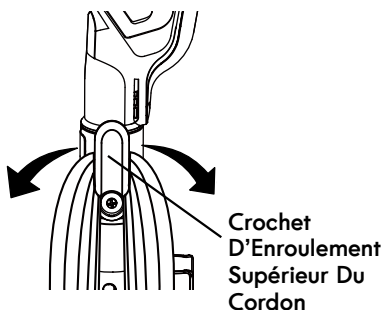
### ATTENTION

Pièces mobiles! Afin de réduire tout risque de blessures, NE PAS toucher la brosse à rouleau lorsque l'aspirateur est en marche. Tout contact avec la brosse à rouleau en rotation peut provoquer coupures, ecchymoses ou toutes autres blessures. Coupez l'alimentation électrique avant de procéder à l'entretien, à la réparation ou au nettoyage de l'aspirateur. Faites preuve de prudence lorsque vous utilisez l'aspirateur en présence d'enfants ou d'animaux familiers.



## CORDON D'ALIMENTATION: DÉGAGEMENT ET UTILISATION

1. Tournez le crochet d'enroulement supérieur du cordon vers un côté ou l'autre pour dégager le cordon d'alimentation.



### AVERTISSEMENT

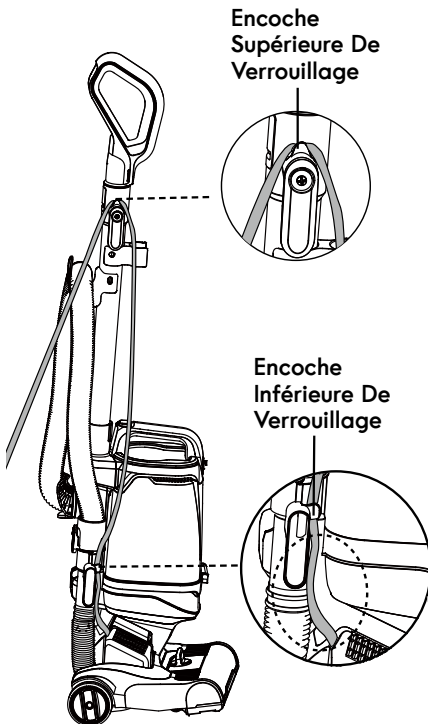
Afin de réduire tous risques d'électrocution, cet appareil comporte une prise polarisée (une lame est plus large que l'autre). Il n'y a qu'une façon d'insérer la fiche dans une prise polarisée. Si la fiche ne s'insère pas entièrement dans la prise, inversez la fiche. Si elle ne s'insère toujours pas correctement, contactez un électricien qualifié afin qu'il installe une prise adaptée. Ne modifiez en aucun cas la fiche.

# CORDON D'ALIMENTATION: DÉGAGEMENT ET UTILISATION

2. Détachez la fiche du cordon d'alimentation du cordon d'alimentation.
3. Assurez-vous que le cordon d'alimentation est verrouillé dans l'encoche de verrouillage supérieure, ainsi qu'illustré. Cela permet de mieux gérer le cordon d'alimentation lors de l'utilisation de l'aspirateur.

**REMARQUE:** Verrouillez en premier lieu le cordon d'alimentation dans l'encoche inférieure de verrouillage, puis dans l'encoche supérieure de verrouillage afin d'éviter d'endommager le cordon d'alimentation.

Assurez-vous que le cordon d'alimentation peut bouger librement et qu'il n'est pas excessivement étiré lorsque vous le verrouillez dans l'encoche inférieure de verrouillage.



4. Branchez la fiche du cordon d'alimentation à une prise de courant située près du plancher.

## **AVERTISSEMENT**

Risques de blessures corporelles et de dommages matériels

- En cas d'anomalie/de panne, cessez immédiatement d'utiliser le produit, puis débranchez la fiche d'alimentation.
- **NE PAS** utiliser de prises de courant situées au-dessus des comptoirs. Le cordon risque d'endommager des objets dans la zone environnante.

5. Appuyez du pied sur le bouton d'alimentation pour mettre sous tension l'aspirateur.
6. Au terme de l'aspiration, appuyez à nouveau sur le bouton d'alimentation; débranchez la fiche du cordon d'alimentation de la prise de courant.
7. Pour ranger le cordon d'alimentation après toute utilisation, tournez le crochet supérieur d'enroulement du cordon pour le positionner à la verticale. Enroulez ensuite le cordon sans le serrer autour des crochets d'enroulement du cordon.

## **AVERTISSEMENT**

Risques D'Électrocution et De Blessures Corporelles

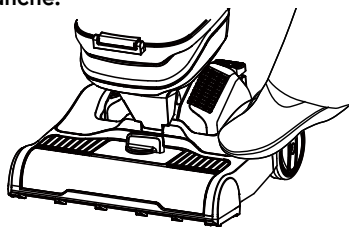
L'enroulement trop serré du cordon ajoute du stress à celui-ci et risque de l'endommager. Un cordon endommagé présente des risques d'électrocution et peut entraîner des blessures corporelles ou des dommages.

# MODES D'UTILISATION

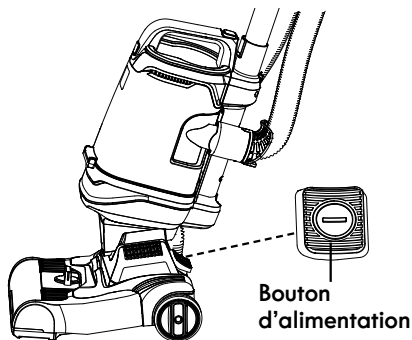
## MODE VERTICAL

**REMARQUE:** Assurez-vous que l'aspirateur est entièrement monté et que le bac à poussière est vide avant de l'utiliser. Ne pas utiliser l'aspirateur sans filtres en place.

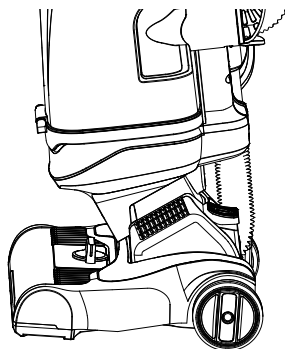
1. Dégagez le manche en plaçant un pied sur le suceur de plancher et en tirant vers l'arrière pour changer la position du manche.



2. Mettez sous tension l'aspirateur en appuyant du pied sur le bouton d'alimentation.



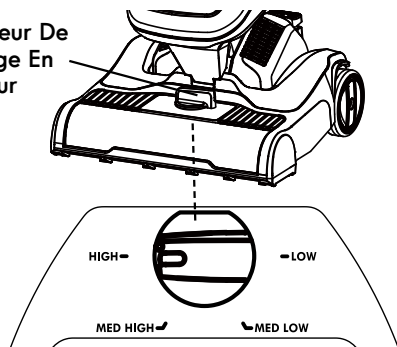
3. Une fois l'aspirateur en marche, faites-le fonctionner en inclinant le manche vers vous et en plaçant le suceur au niveau de la surface du plancher.
4. Au terme de l'aspiration, appuyez à nouveau sur le bouton d'alimentation. Repositionnez le manche à la verticale en le poussant vers l'avant jusqu'à ce que le corps de l'aspirateur soit verrouillé en place. Débranchez le cordon d'alimentation de la prise de courant.



## SÉLECTION ET RÉGLAGE DE LA HAUTEUR DES POILS

Sélectionnez un réglage de la hauteur des poils en tournant le sélecteur de réglage en hauteur situé sur le suceur de plancher.

Sélecteur De Réglage En Hauteur



## Suggestion de réglages de la hauteur des poils

L'aspirateur comporte quatre (4) réglages de hauteur des poils. Pour un nettoyage en profondeur optimal des tapis à poils ras, utilisez le réglage MED LOW (Moyennement bas). Cependant, il se peut que vous deviez augmenter la hauteur afin de faciliter certains travaux, notamment les carpettes et certains tapis très épais.

Les réglages suggérés sont les suivants :

LOW (Bas) : Plancher nu

MED LOW (Moyennement bas) : Moquettes à poils courts

MED HIGH (Moyennement haut) :

## MODES D'UTILISATION

Moquettes à moyens ou très épais  
HIGH (Haut) : Tapis à poils longs, tapis très épais ou carpettes



### ATTENTION

Un réglage incorrect risque d'endommager le plancher.



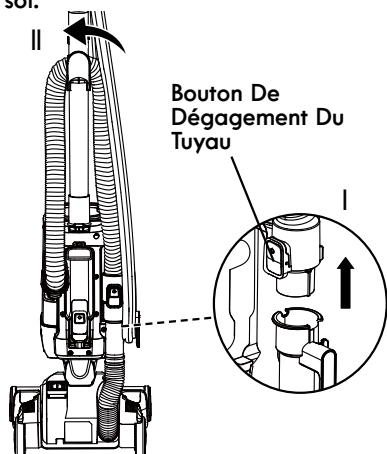
### ATTENTION

Ne pas laisser l'aspirateur rester au même endroit pour quelque durée que ce soit lorsque la brosse à rouleau est en rotation. Le revêtement de sol risque d'être endommagé.

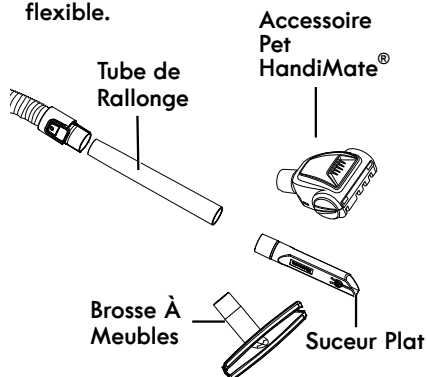
### MODE AU-DESSUS DU PLANCHER

**REMARQUE:** La brosse à rouleau continue de tourner lorsque l'aspirateur est utilisé en mode Au-dessus du plancher. NE PAS placer l'aspirateur sur le tapis très épais afin d'éviter d'endommager le tapis. Placez le sélecteur de réglage en hauteur sur HIGH pour éviter d'endommager le revêtement de sol.

1. Positionnez l'aspirateur verrouillé à la verticale.
2. Appuyez sur le bouton de dégagement du tuyau, puis dégarez le tuyau flexible pour effectuer des nettoyages au-dessus du sol.

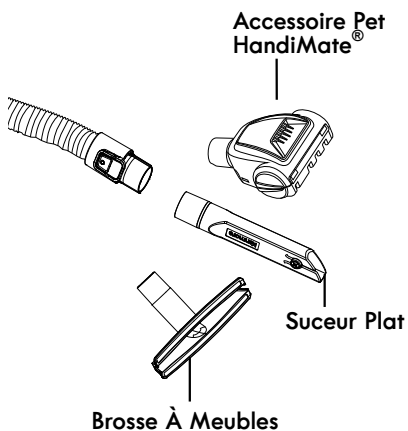


3. Choisissez le tube-rallonge/l'accessoire souhaité, puis insérez-le dans le tuyau flexible.



4. Mettez sous tension l'aspirateur en appuyant du pied sur le bouton d'alimentation.
5. Au terme de l'aspiration, appuyez à nouveau sur le bouton d'alimentation, puis débranchez le cordon d'alimentation de la prise de courant.

**REMARQUE:** L'accessoire peut également s'insérer directement dans le tuyau flexible pour des nettoyages au-dessus du sol.



## MODES D'UTILISATION



### ATTENTION

Lorsque vous utilisez des accessoires, veillez à ne pas étendre à l'excès le tuyau flexible lorsque vous vous penchez pour atteindre certains endroits. Toute tentative visant à dépasser la capacité d'extension du tuyau risque d'entraîner le renversement de l'aspirateur.



### ATTENTION

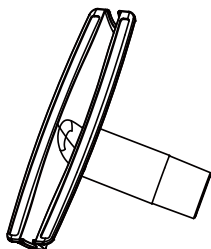
NE PAS tirer l'aspirateur par le tuyau dans la pièce. Cela risque d'entraîner des dommages matériels ou blessures corporelles.

## ACCESSOIRES

### BROSSE À MEUBLES

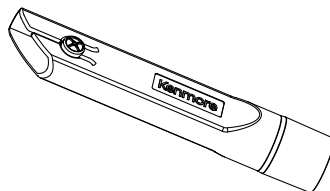
La brosse à meubles peut être fixée à l'extrémité du tuyau flexible et du tube de rallonge. Faites glisser le collier de l'outil sur l'extrémité ouverte du tuyau flexible et du tube de rallonge.

Servez-vous de la brosse à meubles pour nettoyer les surfaces en tissu, notamment sofa en tissu et draps. Voir le TABLEAU D'UTILISATION DES ACCESSOIRES (page 14).



### SUCEUR PLAT

Faites glisser le collier de l'outil dans l'extrémité ouverte du tuyau flexible et du tube de rallonge. Utilisez le suceur plat pour nettoyer les espaces restreints tels que les meubles, les coussins et les escaliers. Voir le TABLEAU D'UTILISATION DES ACCESSOIRES (page 14).

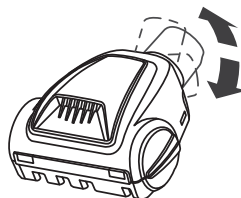


### ACCESSOIRE PET HANDIMATE®

L'accessoire Pet HandiMate® peut être fixé à l'extrémité du tuyau flexible et du tube de rallonge.

L'accessoire Pet HandiMate® pivote pour permettre d'effectuer un nettoyage plus pratique.

Utilisez l'accessoire Pet HandiMate® pour nettoyer les surfaces en tissu, notamment les meubles et les moquettes. Voir le TABLEAU D'UTILISATION DES ACCESSOIRES (page 14).





## ACCESSOIRES



### AVERTISSEMENT




**NE JAMAIS** utiliser l'accessoire Pet HandiMate® directement sur les animaux familiers, car il risque de provoquer des blessures.



### ATTENTION

Utilisez les accessoires lorsque l'aspirateur est positionné à la verticale.

## TABLEAU D'UTILISATION DES ACCESSOIRES

ACCESSOIRE	ZONE DE NETTOYAGE ✓ = Applicable					
	Meubles*	Entre les coussins*	Rideaux*	Escaliers		Plinthes
				Moquette	Nu	
BROSSE À MEUBLES 	✓		✓			✓
SUCEUR PLAT 	✓	✓		✓	✓	✓
PET HANDIMATE® 	✓			✓		

\*Toujours nettoyer les accessoires avant de les utiliser sur des tissus.

# CARACTÉRISTIQUES DE PERFORMANCE/SÉCURITÉ

## SOUPAPE DE DÉRIVATION

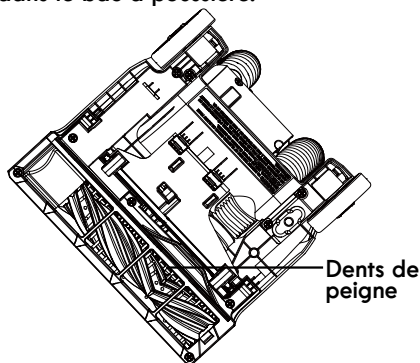
Cet aspirateur est équipé d'une Soupape De Dérivation qui empêche le moteur de surchauffer et de s'endommager. La soupape s'ouvre pour fournir de l'air de refroidissement lorsqu'une congestion empêche le flux d'air normal vers le moteur d'aspiration de l'aspirateur. Vous remarquerez un changement sonore lorsque l'air pénètre par l'ouverture de la soupape.

**Pour corriger le problème:** éliminez les obstructions, vérifiez l'état des filtres et remplacez-les si nécessaire, vérifiez et videz le bac à poussière au besoin.

**REMARQUE:** La Soupape De Dérivation peut s'ouvrir lors de l'utilisation d'accessoires ou du nettoyage d'une moquette neuve en raison d'une réduction du débit d'air ou d'une obstruction du passage de l'air, causée par les accessoires eux-mêmes ou par les peluches de la moquette neuve qui remplissent rapidement le bac à poussière.

## BROSSE À ROULEAU HAIR ELIMINATOR™

Pour obtenir des performances optimales, l'suceur de plancher est équipée d'une brosse à rouleau éliminateur de poils et cheveux, qui empêche toute accumulation de cheveux ou de poils, de ficelles et de tous autres débris sur la brosse à rouleau. Pour enlever les cheveux ou poils enroulés autour de la brosse à rouleau, il suffit de continuer à aspirer. Cela permet à la brosse à rouleau de retirer automatiquement les cheveux ou poils enroulés et de les envoyer dans le bac à poussière.



**REMARQUE:** Pour prolonger la durée de vie de la courroie de la brosse à rouleau, veillez à ce que la brosse à rouleau soit toujours exempte d'accumulation de fibres de moquette, de ficelles ou de poils ou cheveux. En cas d'enchevêtrement de la brosse à rouleau dans des ficelles ou des poils ou cheveux pour une quelconque raison, veuillez interrompre l'utilisation de l'aspirateur, puis nettoyez immédiatement la brosse à rouleau.

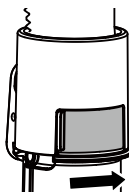
## ATTENTION

**Pièces mobiles ! Afin de réduire tout risque de blessures, NE PAS toucher la brosse à rouleau lorsque l'aspirateur est en marche. Tout contact avec la brosse à rouleau en rotation peut provoquer coupures, ecchymoses ou toutes autres blessures.**

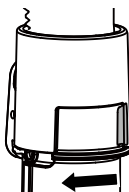
## RÉGULATION D'ASPIRATION

Pour s'aider de la force de poussée/traction de l'aspirateur sur des surfaces comme les moquettes épaisses, la soupape de régulation d'aspiration peut être ouverte pour permettre de réduire l'aspiration. Remarque importante : pour obtenir des résultats de nettoyage optimaux, la soupape de régulation d'aspiration doit être entièrement fermée.

- Faites glisser vers la droite pour ouvrir la régulation d'aspiration et réduire l'aspiration. L'ouverture de la régulation permet de réduire l'aspiration pour ce qui concerne draperies et tapis légers.
- Faites glisser vers la gauche pour fermer la régulation d'aspiration et augmenter l'aspiration. La fermeture de la régulation augmente l'aspiration pour ce qui concerne tapisserie pour meubles et moquettes.



Réduire la puissance d'aspiration



Augmenter la puissance d'aspiration

## ENTRETIEN ET SOIN DE L'ASPIRATEUR

Respectez toujours toutes les mesures de sécurité lorsque vous effectuez l'entretien de l'aspirateur.



### AVERTISSEMENT

**Risques D'Électrocution et De Blessures Corporelles**

Coupez l'alimentation électrique avant de procéder à l'entretien, à la réparation ou au nettoyage de l'aspirateur. Le non-respect de cette consigne pourrait entraîner un risque d'électrocution ou des blessures corporelles causées par le démarrage subit de l'aspirateur.



### AVERTISSEMENT

L' suceur de plancher est équipée de dents de peigne aiguisées à l'intérieur. **NE PAS** toucher les dents de peigne lorsque vous entretenez ou nettoyez l'aspirateur. Dans le cas contraire, cela peut entraîner des blessures corporelles.

## NETTOYAGE DE L'EXTÉRIEUR ET DES ACCESSOIRES

1. Mettez hors tension l'aspirateur, puis débranchez-le. **NE PAS** laisser de l'eau s'égoutter sur l'aspirateur.
2. Pour nettoyer l'extérieur ou pour réduire l'électricité statique et l'accumulation de poussière, essuyez la surface extérieure à l'aide d'un chiffon propre et doux qui a été plongé dans une solution de détergent liquide doux et d'eau, puis essoré. Bien essuyer après nettoyage.

**REMARQUE:** Lavez les accessoires à l'eau tiède savonneuse, rincez-les, puis laissez-les sécher à l'air libre. Ne pas nettoyer au lave-vaisselle.



### ATTENTION

Ne pas utiliser les accessoires s'ils sont mouillés. Les accessoires utilisés dans des endroits sales, comme sous un réfrigérateur, ne doivent pas être utilisés sur d'autres surfaces jusqu'à ce qu'ils soient lavés. Ceux-ci risquent de laisser des marques.

## RANGEMENT DE L'ASPIRATEUR



### AVERTISSEMENT

**Risques D'Électrocution et De Blessures Corporelles**

L'enroulement trop serré du cordon ajoute du stress à celui-ci et risque de l'endommager. Un cordon endommagé présente des risques d'électrocution et peut entraîner des blessures corporelles ou des dommages.

1. Placez les accessoires en position de rangement si nécessaire (voir page 8).
2. Rassemblez le cordon, puis enroulez-le sans le serrer autour des crochets d'enroulement supérieur et inférieur du cordon. Verrouillez le dispositif de retenue de la fiche sur le cordon d'alimentation.
3. Rangez l'aspirateur dans un endroit sec, à l'intérieur, sur le plancher, avec le manche verrouillé à la verticale.

## VIDANGE DU BAC À POUSSIÈRE



### AVERTISSEMENT

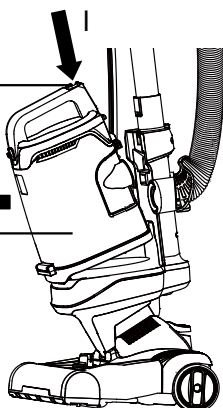
Débranchez toujours le cordon d'alimentation de la prise électrique avant d'effectuer tous travaux d'entretien ou de réparation sur l'aspirateur.

**REMARQUE:** Pour obtenir des performances optimales, videz le bac à poussière après chaque utilisation. Ne jamais utiliser l'aspirateur sans que le bac à poussière et les filtres soient en place.

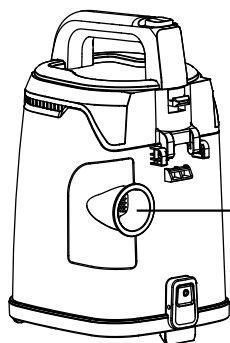
1. Appuyez sur la touche de dégagement du bac à poussière pour retirer le bac à poussière du corps principal.

Touche De Dégagement Du Bac À Poussière

Bac À Poussière

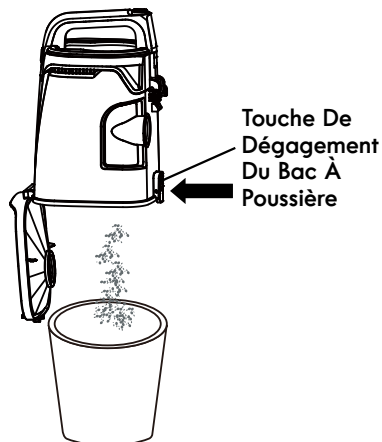


2. Éliminez toute obstruction qui pourrait se trouver dans l'orifice d'aspiration.

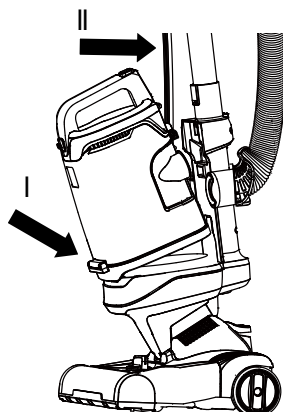


Orifice d'aspiration

3. Placez la zone du bac à poussière de l'aspirateur au-dessus d'une poubelle. Appuyez sur la touche de dégagement du bac à poussière pour ouvrir le couvercle du bac à poussière, puis renversez le contenu du bac dans la poubelle.



4. Secouez le bac à poussière pour dégager tous les débris susceptibles de s'accrocher au pré-filtre.
5. Réinstallez et insérez le bac à poussière dans les fentes situées dans la partie inférieure du corps principal, puis enfoncez le bac à poussière dans la fente verrouillée et faites-le cliquer en place.



## NETTOYAGE DU PRÉ-FILTRE

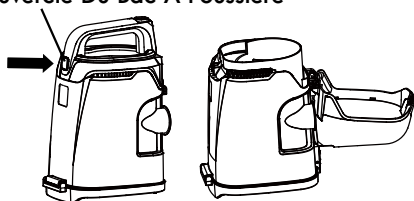
Le pré-filtre se trouve à l'intérieur du récupérateur de poussières. Nettoyez le pré-filtre au besoin afin d'optimiser la puissance d'aspiration.

1. Retirez le bac à poussière ainsi qu'illustré dans la section VIDANGE DU BAC À POUSSIÈRE (page 17).

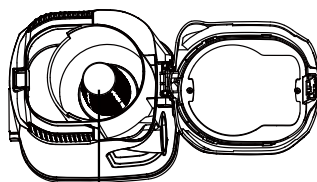
**REMARQUE:** Assurez-vous que le bac à poussière est exempt de débris avant de l'ouvrir.

2. Appuyez sur la touche d'ouverture du couvercle du bac à poussière, puis ouvrez le couvercle.

Touche D'Ouverture Du  
Couvercle Du Bac À Poussière



3. Nettoyez le pré-filtre en le tapotant en douceur au-dessus d'une poubelle. Tapotez sur plusieurs côtés afin de garantir un nettoyage optimal.



Pré-filtre

4. Réinstallez le bac à poussière dans le corps principal. Voir les instructions d'installation données dans la section VIDANGE DU BAC À POUSSIÈRE (page 17).

## NETTOYAGE DES FILTRES EN MOUSSE ET EN FEUTRE

Nous vous recommandons de nettoyer les filtres en mousse et en feutre à l'eau froide tous les trois mois.

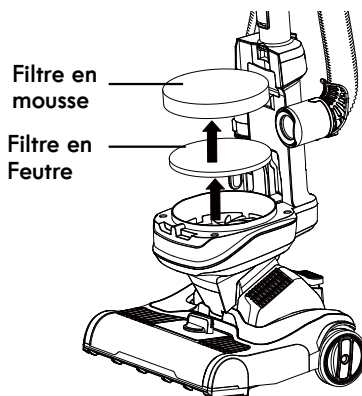
**REMARQUE:** Lorsque le nettoyage des filtres ne rétablit plus la pleine puissance d'aspiration de l'aspirateur, ou lorsque les filtres sont usés ou brisés, remplacez ceux-ci. Pour tous vos achats de filtres, composez le numéro : 1-877-531-7321 (États-Unis) / 1-844-608-3081 (Canada).

Nettoyez et remplacez régulièrement les filtres afin de maintenir la puissance d'aspiration de l'aspirateur à un niveau optimal.

1. Retirez le bac à poussière ainsi qu'illustré dans la section VIDANGE DU BAC À

POUSSIÈRE (page 17).

2. Retirez les filtres en mousse et en feutre.



## NETTOYAGE DES FILTRES EN MOUSSE ET EN FEUTRE

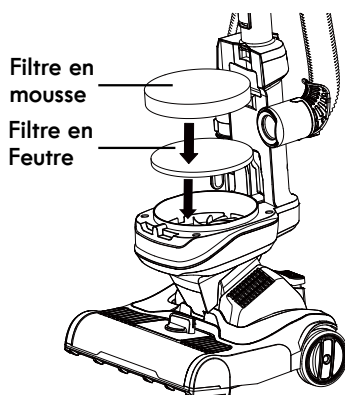
3. Lavez-le à l'eau froide uniquement. NE PAS utiliser de détergents ou du savon. Pressez-le à la main, puis laissez-le sécher à l'air libre. Laissez les filtres sécher 24 heures avant de les remettre dans l'aspirateur.

**REMARQUE:** NE PAS utiliser l'aspirateur sans filtres en mousse et en feutre installés.

NE PAS laver le filtre au lave-vaisselle.

NE PAS installer de filtres en mousse et en feutre s'ils sont humides.

4. Remplacez les filtres en mousse et en feutre dans l'aspirateur.



5. Réinstallez le bac à poussière. Voir la section VIDANGE DU BAC À POUSSIÈRE (page 17).

## REPLACEMENT DE LA COURROIE



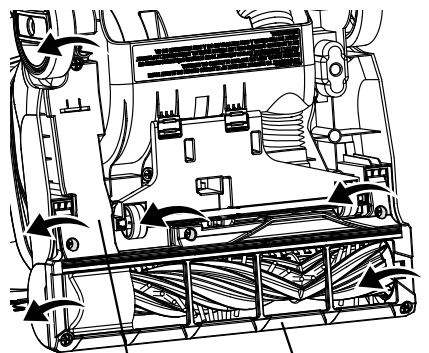
### AVERTISSEMENT

Débranchez toujours le cordon d'alimentation de la prise électrique avant d'effectuer tous travaux d'entretien sur l'aspirateur.

Remplacez la courroie chaque fois qu'une odeur de caoutchouc brûlé causée par un glissement excessif se fait sentir.

**REMARQUE:** Assurez-vous que le réglage de la hauteur des poils est sur le réglage BAS.

1. Posez l'aspirateur sur le plancher, la partie inférieure orientée vers le haut et le suceur de plancher à plat.
2. Utilisez un tournevis cruciforme pour retirer les six vis du couvercle de courroie et de la plaque inférieure.

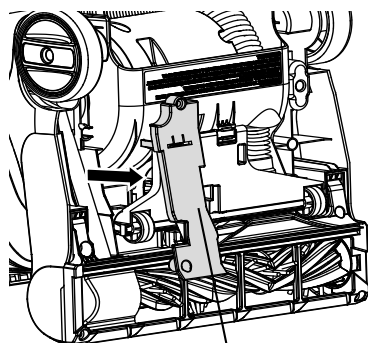


Couvercle  
De Courroie

Plaque inférieure

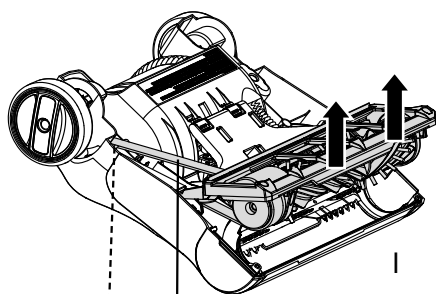
## REPLACEMENT DE LA COURROIE

3. Retirez le couvercle de courroie du suceur de plancher.

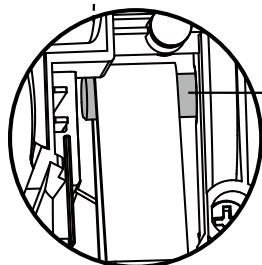


Couvercle De  
Courroie

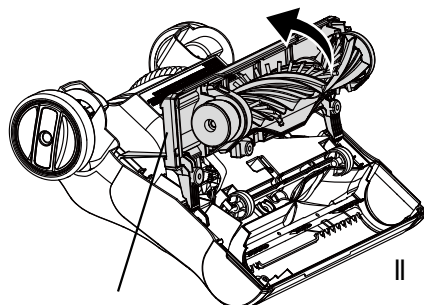
4. Soulevez la plaque inférieure combinée avec la brosse à rouleau.



Arbre du moteur



Courroie



Plaque Inférieure avec  
Brosse À Rouleau



### ATTENTION

L'arbre du moteur peut être chaud.



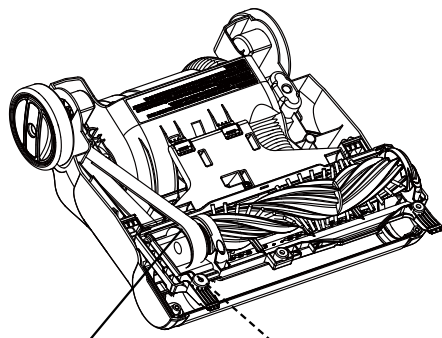
### AVERTISSEMENT

Présence de bords tranchants à l'intérieur pour éviter tout emmêlement de cheveux et de poils. Veillez à n'introduire aucune partie du corps dans la brosse à planchers lorsque vous procédez à son entretien.

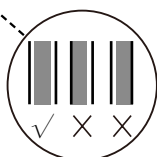
5. Retirez la courroie usée ou cassée.
6. Nettoyez tous les débris du suceur de plancher.
7. Passez la courroie neuve autour de l'arbre du moteur et du passage de la courroie sur la brosse à rouleau.

**REMARQUE:** Avant de réinstaller la plaque inférieure, assurez-vous que la courroie se trouve au milieu de son trajet, ainsi qu'illustré.

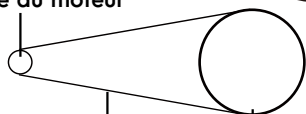
## REPLACEMENT DE LA COURROIE



Passage de la courroie

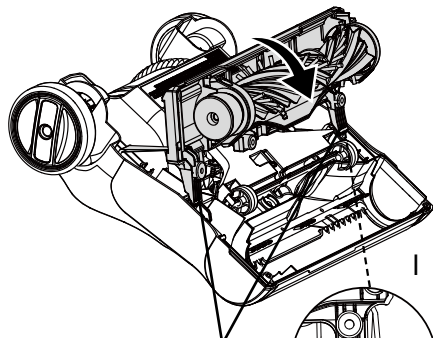


Arbre du moteur

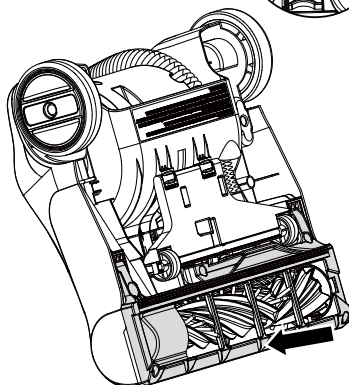
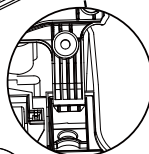


Courroie Brosse à rouleau

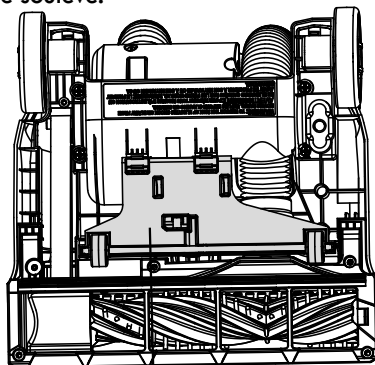
8. Réinstallez la plaque inférieure avec la brosse à rouleau dans le suceur de plancher. Alignez en premier lieu les deux languettes de verrouillage de la plaque inférieure sur les fentes du suceur, ainsi qu'illustré. Faites ensuite pivoter la plaque inférieure vers le bas pour la poser sur le logement de la brosse à rouleau. Appuyez sur la partie centrale de la plaque inférieure jusqu'à ce que vous entendiez un « déclic ». Faites tourner la brosse à rouleau pour vous assurer que la courroie est correctement installée.



Languettes de verrouillage



**REMARQUE:** Assurez-vous que le support de la petite roue est correctement fixé par la plaque inférieure et ne peut être soulevé.

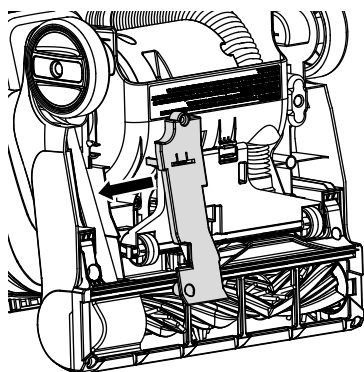


Support de la petite roue

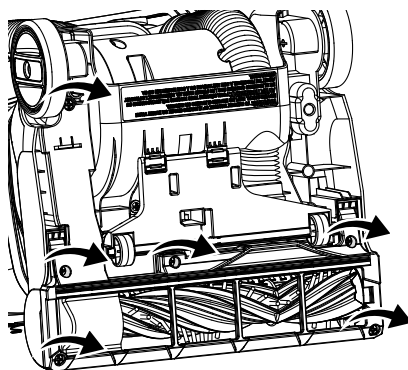


## REPLACEMENT DE LA COURROIE

9. Remettez le couvercle de courroie en place.



10. Réinstallez les six vis dans la plaque inférieure et le couvercle de courroie. Ne pas serrer les vis excessivement.



## NETTOYAGE DE L'ACCESSOIRE PET HANDIMATE®



### AVERTISSEMENT

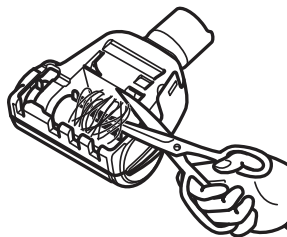
Débranchez toujours le cordon d'alimentation de la prise électrique avant d'effectuer tous travaux d'entretien sur l'aspirateur.



### ATTENTION

Pour réduire tout risque de blessures dues à des pièces mobiles, retirez l'accessoire Pet HandiMate® du tuyau ou du tube de l'aspirateur avant de procéder à tous travaux d'entretien ou de réparation.

Coupez les poils de moquettes et les peluches emmêlés autour de la brosse à rouleau à l'aide d'une paire de ciseaux.



# ÉLIMINATION DES OBSTRUCTIONS



## AVERTISSEMENT

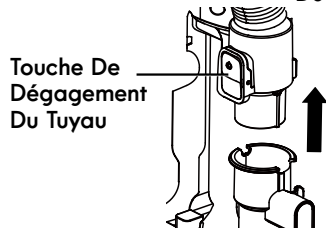
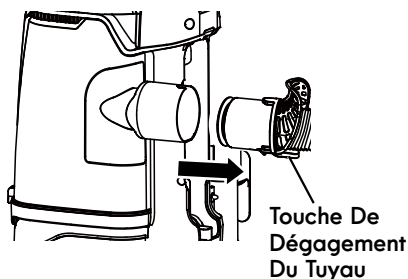
Coupez l'alimentation électrique avant d'éliminer les obstructions. Le non-respect de cette disposition vous expose à des risques d'électrocution ou à des blessures corporelles.

### VÉRIFICATION DE LA PRÉSENCE D'OBSTRUCTIONS DANS LE TUYAU FLEXIBLE

S'il y a un bruit anormal perceptible lors de l'utilisation de l'aspirateur ou si la puissance d'aspiration chute soudainement, il est nécessaire de vérifier la présence d'obstructions dans le tuyau flexible.

Vérifiez fréquemment l'état du conduit d'air afin de vous assurer de l'absence de toutes obstructions

1. Retirez les accessoires de l'extrémité du tuyau flexible.
2. Retirez les extrémités du tuyau flexible du corps principal et du raccord inférieur du tuyau en appuyant sur les boutons de dégagement du tuyau.

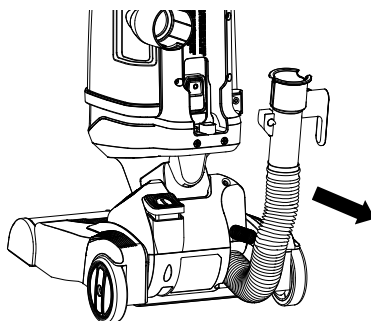
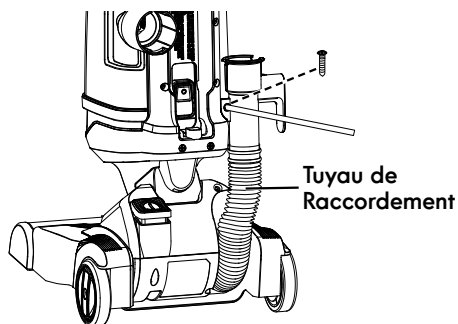


3. Vérifiez et éliminez toutes les obstructions présentes dans le tuyau flexible.

4. Réinstallez le tuyau flexible sur l'aspirateur. Voir la section INSTRUCTIONS DE MONTAGE (page 8).

### VÉRIFICATION DE LA PRÉSENCE D'OBSTRUCTIONS DANS LE TUYAU DE RACCORDEMENT

1. Vérifiez la présence d'obstructions éventuelles dans le tuyau de raccordement, puis éliminez-en celles-ci, le cas échéant.
2. Si nécessaire, dégagez le tuyau de raccordement en retirant une vis à l'aide d'un tournevis cruciforme et vérifiez la présence d'obstructions éventuelles.



3. Réinstallez le tuyau de raccordement, puis fixez-le à l'aide de la vis. Ne pas serrer excessivement la vis.

## DÉPANNAGE

Consultez ce tableau pour trouver des solutions pratiques en cas de problèmes de performance mineurs. Tous travaux d'entretien ou de réparation nécessaires, autre que l'entretien décrit dans le présent Guide D'Utilisation Et D'Entretien, doit être effectué par un agent du service de réparation qui en possède les qualifications.



### AVERTISSEMENT

**Coupez l'alimentation électrique avant d'effectuer l'entretien de l'aspirateur. Le non-respect de cette disposition vous expose à des risques d'électrocution ou à des blessures corporelles.**

PROBLÈME	CAUSE POSSIBLE	SOLUTION
L'aspirateur ne fonctionne pas.	Il est débranché de la prise de courant.	Branchez-les fermement.
	Le bouton d'alimentation n'a pas été appuyé pour démarrer l'aspirateur.	Appuyez sur le bouton d'alimentation pour démarrer l'aspirateur.
	Prise de courant défectueuse.	Vérifiez l'état de la prise à l'aide d'un bon appareil ou d'une bonne lampe. Assurez-vous que le cordon d'alimentation est branché à fond à une bonne prise de courant.
	Le moteur est endommagé.	Veuillez composer le numéro : 1-877-531-7321 (États-Unis) / 1-844-608-3081 (Canada) pour obtenir de l'aide.
Mauvaise récupération des saletés.	Le tuyau ou les accessoires ne sont pas installés correctement.	Vérifiez l'état du tuyau et des accessoires afin de vous assurer qu'ils sont correctement installés et fermement enclenchés.
	Le bac à poussière n'est pas installé correctement.	Vérifiez l'état du bac à poussière afin de vous assurer qu'il est correctement installé et fermement enclenché.
	Bac à poussière plein ou obstrué.	Videz le bac à poussière (page 17).
	Le tuyau flexible ou le tuyau de raccordement de l'aspirateur est bouché.	Vérifiez la présence d'obstructions éventuelles dans le conduit d'air, puis éliminez-en toutes celles-ci, le cas échéant. Suivez les instructions données en page 23.
	La régulation d'aspiration est ouverte.	Réglez la régulation d'aspiration pour augmenter l'aspiration. Suivez les instructions données en page 15.
	Le filtre en mousse ou le filtre en feutre doit être nettoyé ou remplacé.	Nettoyez ou remplacez le filtre en mousse ou le filtre en feutre. Suivez les instructions de nettoyage du filtre en mousse et du filtre en feutre à la page 18-19.

## DÉPANNAGE

	Le tuyau flexible est usé.	Remplacez le tuyau. Pour tous vos achats de pièces, composez le numéro : 1-877-531-7321 (États-Unis) / 1-844-608-3081 (Canada).
	Le tuyau de raccordement est usé.	Veillez composer le numéro : 1-877-531-7321 (États-Unis) / 1-844-608-3081 (Canada) pour obtenir de l'aide.
	La brosse à rouleau est usée.	Veillez composer le numéro : 1-877-531-7321 (États-Unis) / 1-844-608-3081 (Canada) pour obtenir de l'aide.
De la poussière s'échappe de l'aspirateur.	Le bac de poussière est mal installé.	Positionnez correctement le bac à poussière, puis enclenchez-le fermement en place.
	Le filtre en mousse ou le filtre en feutre est usé ou cassé.	Vérifiez l'état du filtre en mousse ou du filtre en feutre, puis remplacez celui-ci. Pour tous vos achats de pièces, veuillez composer le numéro : 1-877-531-7321 (États-Unis) / 1-844-608-3081 (Canada).
La brosse à rouleau ne tourne pas.	La brosse à rouleau est bloquée.	Veillez composer le numéro : 1-877-531-7321 (États-Unis) / 1-844-608-3081 (Canada) pour obtenir de l'aide.
	La brosse à rouleau n'est pas installée correctement.	Veillez composer le numéro : 1-877-531-7321 (États-Unis) / 1-844-608-3081 (Canada) pour obtenir de l'aide.
	La courroie n'est pas acheminée correctement.	Vérifiez le passage de la courroie à la page 19-22.
	La courroie est usée ou brisée.	Remplacez la courroie. Pour tous vos achats de pièces, veuillez composer le numéro : 1-877-531-7321 (États-Unis) / 1-844-608-3081 (Canada).
Réduction du débit d'air avec les accessoires utilisés; le son change.	Le conduit d'air est bouché.	Vérifiez la présence d'obstructions éventuelles dans le conduit d'air, puis éliminez-en celles-ci et nettoyez le conduit d'air. Suivez les instructions données en page 23.
	Les accessoires utilisés peuvent réduire le débit d'air.	Vérifiez l'état des accessoires afin de détecter la présence de duvets, de peluches, de poils d'animaux familiers ou de tous autres débris.
L'aspirateur se met hors tension tout seul.	La fiche du cordon d'alimentation s'est détachée de la prise de courant lors de l'utilisation de l'aspirateur.	Réinsérez la fiche du cordon d'alimentation à fond dans la prise de courant. Évitez de tirer ou de traîner le cordon d'alimentation lorsque vous utilisez l'aspirateur.
	Le moteur est endommagé.	Veillez composer le numéro : 1-877-531-7321 (États-Unis) / 1-844-608-3081 (Canada) pour obtenir de l'aide.

# Kenmore<sup>®/MD</sup>

**Vacuum Cleaner Help Line**

**Assistance téléphonique  
pour les aspirateurs**

**US: 1-877-531-7321**

**CA: 1-844-608-3081**

**8:00 am – 5:00 pm ET M-F**

**De 8 h à 17 h HE lun à ven**

