

Use & Care Guide
Manual de Uso y Cuidado
Manuel d'entretien et d'utilisation

Kenmore®/MD

CSV | Go™ XL

Cordless Stick Vac

Aspiradora Inalámbrica de Vara

Aspirateur-balai Sans Fil

Model/Modelo/Modèle: DS4065

Vacuum Cleaner Help Line:

1-877-531-7321 (US) / 1-844-608-3081 (CA)

8:00am-5:00pm EST, M-F

www.kenmorefloorcare.com



TABLE OF CONTENTS

Before Using Your New Vacuum Cleaner	2
Packing List	2
Important Safety Instructions.....	3-4
Vacuum Cleaner Warranty	5
Parts and Features.....	6-8
Assembly Instructions	9-10
Operating Instructions	11-12
Vacuum Maintenance and Care.....	13-16
Troubleshooting	17-18
Requesting Assistance Or Service	Back Cover

BEFORE USING YOUR NEW VACUUM CLEANER

Read this Use & Care Guide. It will help you assemble and operate your new Kenmore vacuum cleaner in the safest and most effective way.

For more information about vacuum cleaner care and operation, call the Vacuum Cleaner Help Line at 1-877-531-7321 (US) / 1-844-608-3081 (CA). You will need the complete model and serial numbers when requesting information.

Your vacuum cleaner's model and serial numbers are located on the Model and Serial Number Plate. Use the space below to record the model number and serial number of your new Kenmore vacuum cleaner.

Model No. _____

Serial No. _____

Date of Purchase _____

Keep this book and your sales check (receipt) in a safe place for future reference.

PACKING LIST

Your KENMORE CORDLESS VACUUM CLEANER is packaged with the following parts and components assembled separately in the carton:

1 Hand Vacuum	1 Wall Mountable Bracket
1 Motorized Nozzle	2 Screws
1 Wand	1 Charging Adapter
1 Combination Tool	1 Manual

IMPORTANT SAFETY INSTRUCTIONS

WARNING!

READ ALL INSTRUCTIONS IN THIS GUIDE BEFORE ASSEMBLING OR USING YOUR VACUUM CLEANER. To reduce the risk of fire, electrical shock, injury to persons or damage when using your vacuum cleaner, follow all safety precautions listed below.

- Use your vacuum only as described in this Use & Care Guide.
- Do not use or charge outdoors or on wet surfaces.
- Do not allow to be used as a toy. Close attention is necessary when used by or near children, pets or plants.
- Use only manufacturer's recommended attachments. Do not use attachments other than those supplied with this vacuum.
- Do not handle charger, including charger plug, and charger terminals with wet hands.
- Do not put any object into openings. Do not use with any opening blocked; keep free of dust, lint, hair, and anything that may reduce air flow.
- Keep hair, loose clothing, fingers, and all parts of body away from openings and moving parts.
- Use extra care when cleaning on stairs.
- Do not use to pick up flammable or combustible liquids, such as gasoline, or use in areas where they may be present.
- Switch off the appliance before connecting the accessories.
- Do not pick up anything that is burning or smoking, such as cigarettes, matches, or hot ashes.
- Do not pick toxic solution such as chlorine bleach, ammonia or drain cleaner.
- Do not use without dust cup and HEPA filter in place.
- Do not charge the unit outdoors.
- Prevent unintentional starting. Ensure the product does not operate before connecting to hand vacuum, picking up or carrying the appliance.
- Do not carry the appliance with your finger on the switch or energizing appliances that have the switch on.
- Do not attempt to use this charging adapter with any other product nor attempt to charge this product with another charging adapter.
- To recharge vacuum, use only YINLI model YLS0241A-T256080 charging adapter.
- Do not use an appliance that is damaged or modified. Damaged or modified appliance may exhibit unpredictable behavior resulting in fire, explosion or risk of injury.
- Do not immerse vacuum cleaner, or charging adapter in water or other liquids.
- Always turn the vacuum off before connecting or disconnecting the motorized nozzle.
- Store the cordless vacuum indoors. Put the cordless vacuum away after use to prevent accidents.
- Keep your work area well lit.
- Keep the vacuum moving over the carpet surface at all times to avoid damaging the carpet fibers.
- Do not vacuum up any liquids.
- Do not use in an enclosed space where vapors are present from paint, paint thinner, moth-proofing substances, flammable dust or other explosive or toxic materials.

IMPORTANT SAFETY INSTRUCTIONS

- Do not pick up hard or sharp objects such as glass, nail, screws or coins that could damage the vacuum cleaner.
- To avoid excessive heat and damage to unit or batteries, do not operate the vacuum while charging.
- Do not use extension cords or outlets with inadequate current carrying capacity.
- Do not expose an appliance to fire or excessive temperature. Exposure to fire or temperature above 265°F (130°C) may cause explosion.
- Leaks from battery cells can occur under extreme usage or temperature conditions. If the liquid gets on skin, wash quickly with water. If liquid gets into the eyes, flush them immediately with clean water for a minimum of 10 minutes. Seek medical attention.
- While there is no shock hazard from electrical terminals located on the vacuum, a burn could result from metal objects being inserted into the terminal areas. Vacuum cleaner terminals should always be kept free of objects.
- Store charger indoors in a cool, dry area, not exposed to weather to avoid electrical shock and/or damage to the vacuum cleaner.
- Changes or modifications to this unit not expressly approved by the party responsible for compliance could void the user's authority to operate the equipment.
- Charging improperly or at temperatures outside of the specified range may damage the battery and increase the risk of fire.
- You are responsible for making sure that your vacuum cleaner is not used by anyone who is unable to operate it properly.
- Have servicing performed by a qualified repair person using only identical replacement parts. This will ensure that the safety of the product is maintained.
- Do not modify or attempt to repair the appliance or the battery pack (as applicable) except as indicated in the instructions for use and care.
- **This appliance is designed for household use only!**

NOTICE

This device complies with part 15 of the FCC Rules. Operation is subject to the following two conditions.

1. This device may not cause harmful interference.
2. This device must accept any interference received, including interference that may cause undesired operation.

Product Disposal

This product contains an internal Lithium-ion battery pack formulated from environmentally sensitive materials. This product must be disposed of properly with due care for the environment. Do not dispose of product with household garbage. Consult your local waste authority for information regarding available recycling or disposal options.

SAVE THESE INSTRUCTIONS

Household use only.

VACUUM CLEANER WARRANTY

LIMITED WARRANTY

FOR ONE YEAR from the date of sale this product is warranted against defects in material or workmanship.

WITH PROOF OF SALE a defective product will be replaced free of charge.

The Kenmore brand is used under license. Direct all claims for warranty service to: 1-877-531-7321 (US) / 1-844-608-3081 (CA).

This warranty does not cover filters or belts, which are expendable parts that can wear out from normal use within the warranty period.

This warranty is void if this product is ever used for other than private household purposes.

This warranty gives you specific legal rights, and you may also have other rights which vary from state to state.

Cleva North America, Inc., Greenville SC 29607

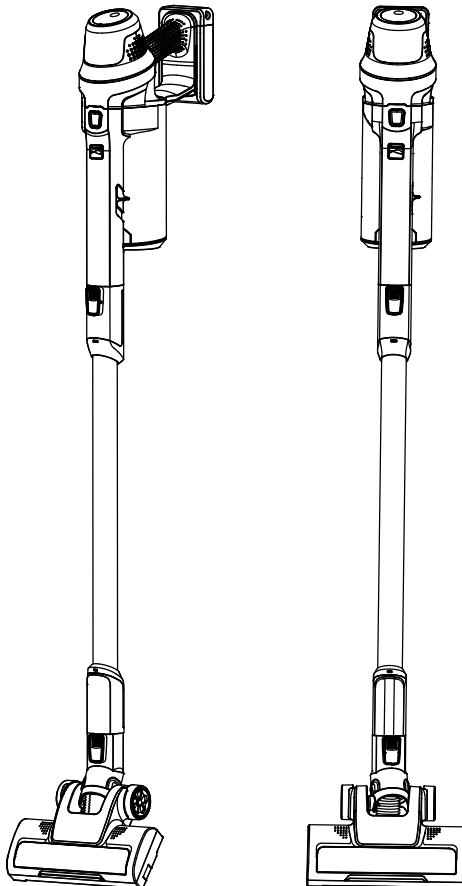
PARTS AND FEATURES

It is important to know your vacuum cleaners parts and features to assure its proper and safe use. Review these before using your vacuum.

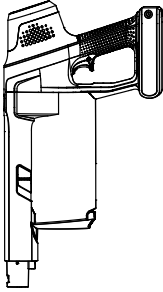
REPLACEMENT PARTS

Item	Part No.(US)	Part No.(CA)
HEPA Media Filter	561051107	561051107
Pre-Filter Basket	561059102	561059102
Brush Roll	561059103	561059103
2-in-1 Combination Tool	561051104	561051104
Charging Adapter	561051105	561051105
Wall Mountable Bracket	561051102	561051102
Screw (2)	551001122	551001122

To order a replacement part, call
1-877-531-7321 (US) /
1-844-608-3081 (CA).



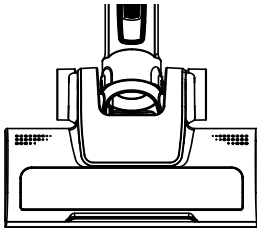
PARTS AND FEATURES



Hand Vacuum



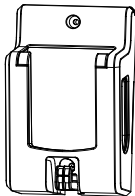
Charging Adapter



Motorized Nozzle



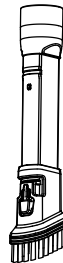
Wand



Wall Mountable Bracket



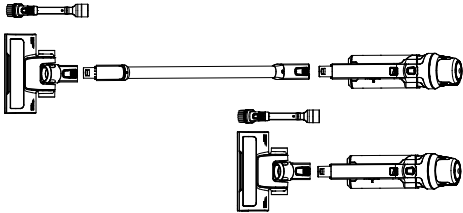
Screw (2)



2-in-1 Combination Tool

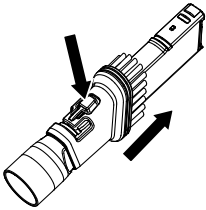
PARTS AND FEATURES

The motorized nozzle and the combination tool can be inserted into either the hand vacuum or the wand. You will hear a click if the motorized nozzle is installed correctly.

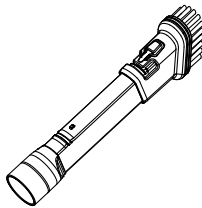


Combination Tool

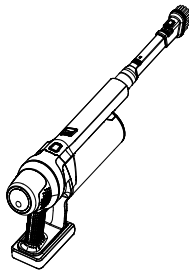
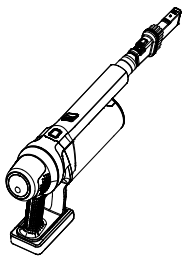
The combination brush can be used as a crevice tool or as a dusting brush. To use as a dusting brush, simply squeeze the buttons in the side of the tool and shift brush forward.



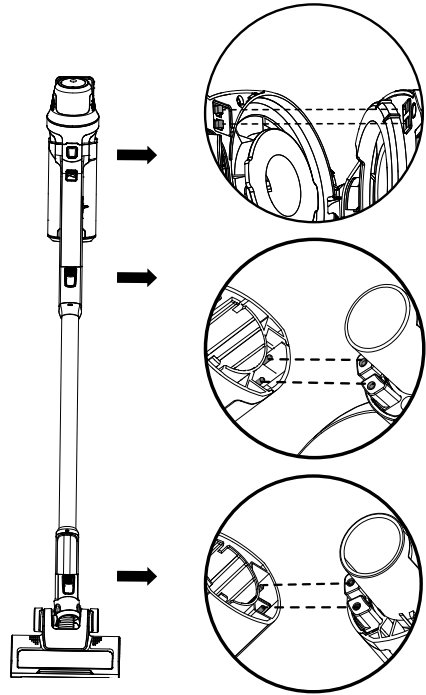
Crevice Tool Mode



Dusting Brush Mode

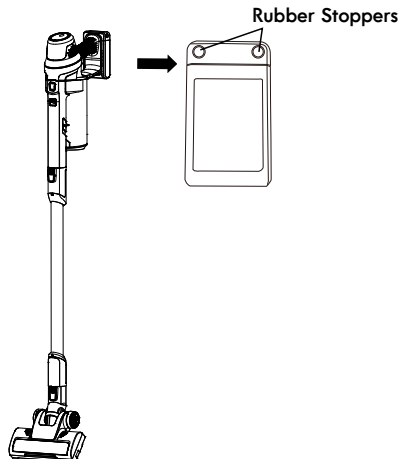


NOTE: For proper electrical contact, always be sure that metal contact surfaces of the motorized nozzle, the wand and the hand vacuum are clean before use.



Friction Hold Stoppers

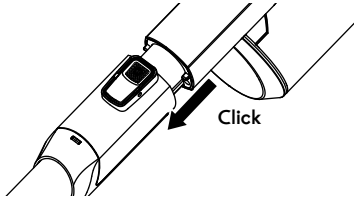
The back of the hand vacuum features two rubber stoppers. When you lean the stick vac against a wall, the stoppers help prevent the unit from slipping down and possibly being damaged.



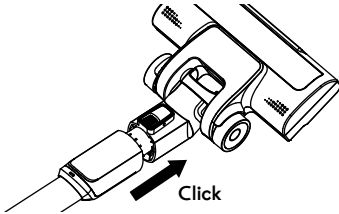
ASSEMBLY INSTRUCTIONS

Before assembling the vacuum cleaner, check the PACKING LIST (Page 2). Use this list to verify that you have received all the components of your new Kenmore CSV Go Cordless Stick Vac.

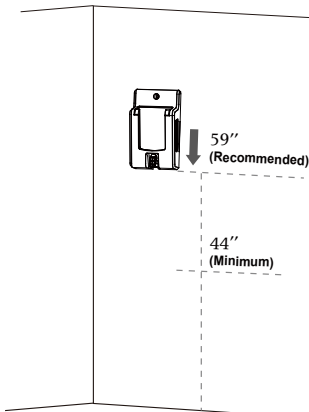
1. Insert the hand vacuum into the top of the wand until you hear a click.



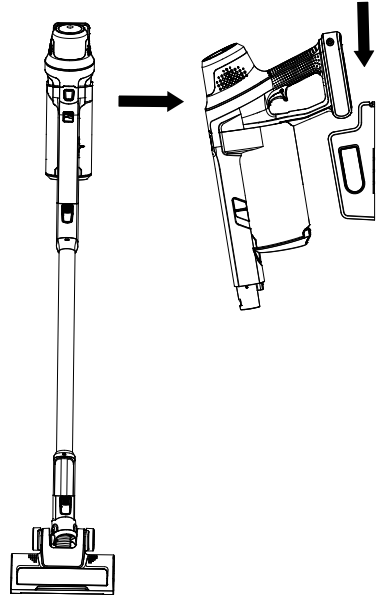
2. Insert the bottom of the wand into the motorized nozzle until you hear a click.



3. Use the 2 screws provided to mount the bracket on the wall, but not to drywall only. Secure the screws to a stud. Mount at a recommended height of 59" and no less than 44" above the floor. Ensure that no plumbing or electrical cables, wires or ductwork are located directly behind the mounting area.



4. Hang the hand vacuum on the wall mount. Align the base of the hand vacuum with the wall mount and slide in as shown in the picture below.



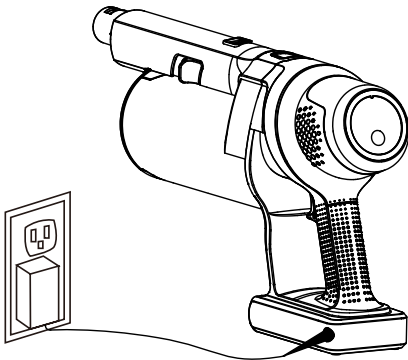
NOTE: To be able to charge vacuum while it is mounted, attach bracket to wall no more than 59" from wall electrical outlet.

CHARGING

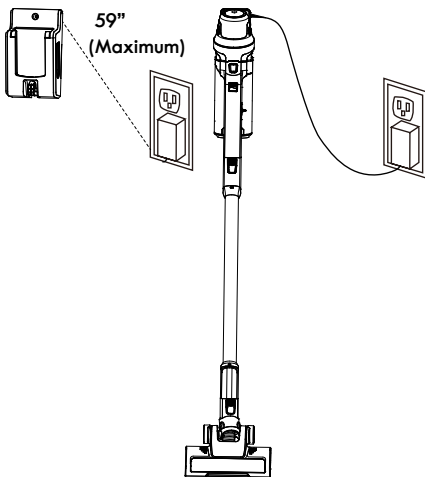
WARNING

Before charging make sure the unit is turned OFF.

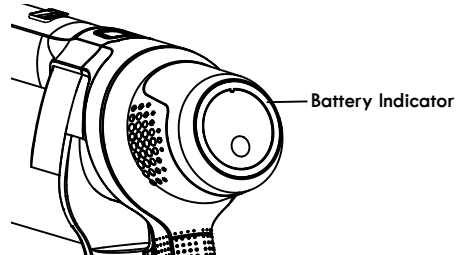
1. Insert the charging adapter plug into the charging port on the side of the hand vacuum base.
2. Plug the adapter into a wall outlet. The battery indicator will begin to pulse blue.



NOTE: The unit can be charged while it is hung on the wall mountable bracket. Attach bracket to wall no more than 59" from a wall electrical outlet.



The battery requires approximately 4 hours of charging to regain full capacity. While the unit is charging, the battery indicator ring will pulse blue. When the battery is fully charged, the battery indicator will show a continuous blue light, and turn off after 15 minutes.



NOTE: Before using stick vacuum for the first time, charge vacuum to full capacity.

NOTE: If the battery indicator does not illuminate when charging, ensure that the charging adapter is plugged in properly to the wall outlet and the charging port on the hand vacuum.

For better battery performance, it is recommended to charge the unit when the battery indicator shows a continuous yellow light during operation, and remove the charging adapter from the unit after the battery is fully charged.

Never charge the batteries in temperatures above 104°F (40°C) or below 39.2°F (4°C). It is normal for the charger to become warm when charging.

OPERATING INSTRUCTIONS

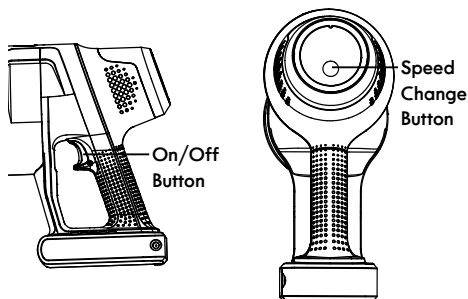
CAUTION

Moving parts! To reduce the risk of personal injury, **DO NOT** touch the brush roll when vacuum is on. Contacting the brush roll while it is rotating can cut, bruise or cause other injuries. Always turn off before servicing. Use caution when operating near children or pets.



CONTROL BUTTONS

The on/off trigger button is located on the inner side of the hand vacuum handle. The vacuum has two-speed controls, ECO and HIGH. Change speed by pressing the speed change button shown below.



Battery Power Level Indicator

The battery power level indicator lights up to give you an idea of how much battery power remains at any given time.

Battery Power Level Indicator	Battery Capacity
Blue, Continuous	75%~100%
Green, Continuous	50%~74%
Yellow, Continuous	25%~49% (Recharge recommended)
Red, Continuous	10%~24%
Red, Flashing	0~9% (Recharge required)

NOTE: Please remove the battery indicator label before first use.

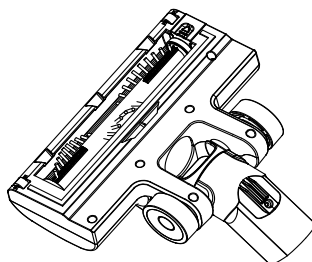
VACUUM OPERATION

CAUTION

Operate the appliance at room temperature between 39.2°F (4°C) and 104°F (40°C) in order to ensure safe and normal function.

Before vacuuming floors, connect the motorized nozzle to the wand. Then connect the hand vacuum to the wand. The motorized nozzle can be used for cleaning

carpets or rugs, as well as hard floors.



VACUUM OPERATION

To start the vacuum, press the on/off trigger button. Once turned on, the battery level indicator will be lit.

The vacuum starts in the ECO speed position. To switch the speed to HIGH, press the speed change button. Press the speed change button again to switch back to ECO speed.

To turn the vacuum off, press the on/off trigger button again.

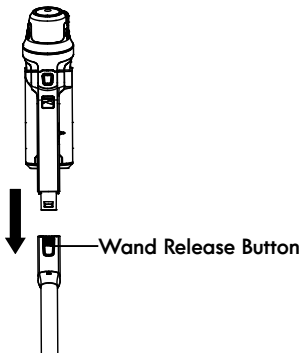
When vacuuming on plush carpet, use ECO mode for best performance.

NOTE: When battery power decreases to about 10% remaining, the battery level indicator will start red flashing. The flashing will continue until the unit is charged or is completely out of battery power.

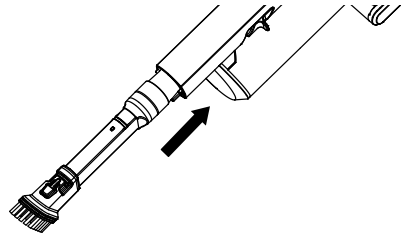
CLEANING WITH THE HAND VACUUM

Easily clean messes on furniture, upholstery, stairs and other hard-to-reach areas with the included combination tool.

1. To detach the hand vacuum, press the wand release button and pull the wand from the hand vacuum.



2. Install the combination tool onto the end of the hand vacuum.



3. When finished cleaning, turn the hand vacuum OFF and remove the combination tool.

VACUUM MAINTENANCE AND CARE

CAUTION

To reduce the risk of electric shock, remove the charging adapter from the unit, and make sure the unit is turned off before any maintenance.

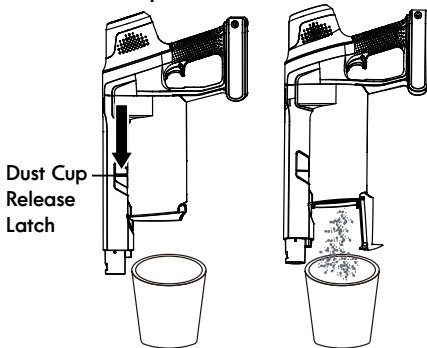
EMPTYING DUST CUP AND CLEANING FILTER

Dust Cup Emptying

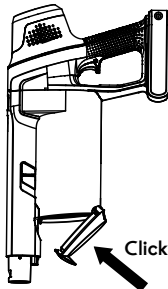
For best performance, empty dust cup after every use or once dust reaches max fill line. Never operate the vacuum cleaner without dust cup and filter in place.

Before emptying the dust cup, ensure the vacuum is turned off.

1. Position dust cup lid area of vacuum over a waste receptacle. Press down the dust cup release latch to open dust cup lid and allow cup contents to drop into waste receptacle.



2. Close dust cup lid until you hear a click.



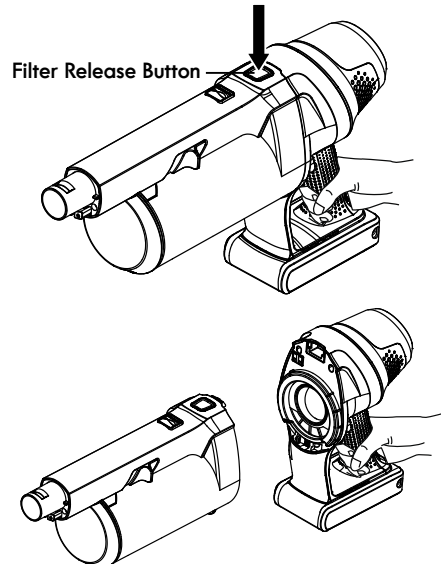
Filter Cleaning

If there is hair wrapped or blocked in the dust cup or the suction power is weak, it is necessary to wash the HEPA media filter and pre-filter basket to clean off accumulated dust or hair.

NOTE: For optimal performance, please check and clean the HEPA Media filter regularly.

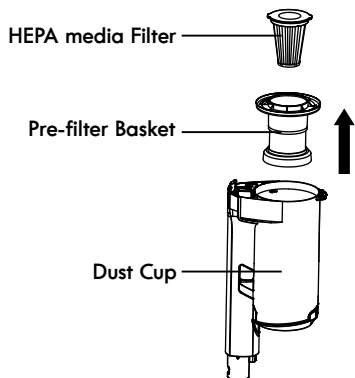
WARNING: Do not operate vacuum cleaner without filters in place.

1. With one hand grasped around the handle, press the filter release button to separate the dust cup and filters from the hand vacuum.



EMPTYING DUST CUP AND CLEANING FILTER

2. Remove the HEPA media filter and pre-filter basket from the dust cup.

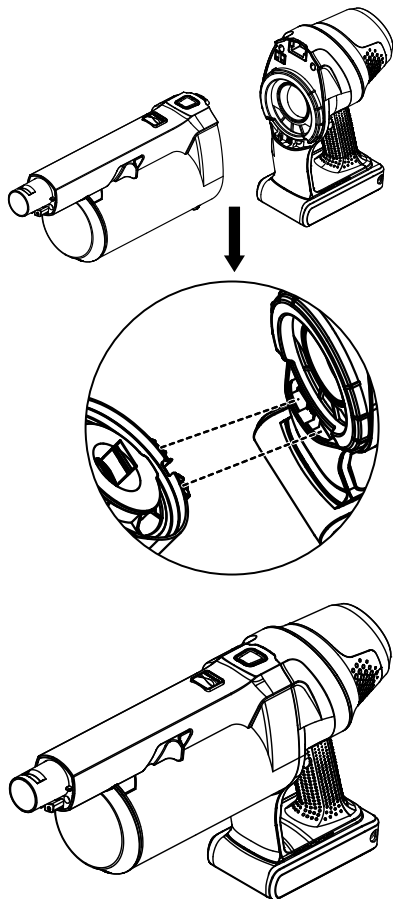


3. Brush loose debris from HEPA media filter and pre-filter basket and then rinse with warm water. Set both filters aside and allow to air dry for 24 hours.

IMPORTANT: The HEPA media filter and pre-filter must dry completely before reuse.

4. Place the pre-filter basket back into the dust cup, then place the HEPA media filter back into the pre-filter basket.

5. To reassemble the dust cup to the hand vacuum, align the tabs on the dust cup with slots in the hand vacuum. Once aligned, attach the dust cup to the hand vacuum until you hear a click.



CLEANING THE MOTORIZED NOZZLE & BLOCKAGES

The brush roll may accumulate debris such as strings, hair and fibers. This type of debris can wrap around the brush and diminish its ability to clean effectively.

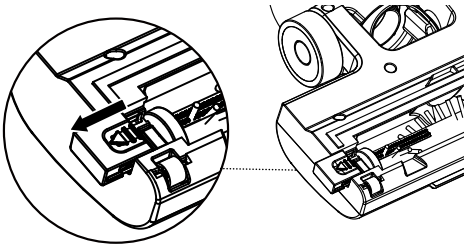


CAUTION

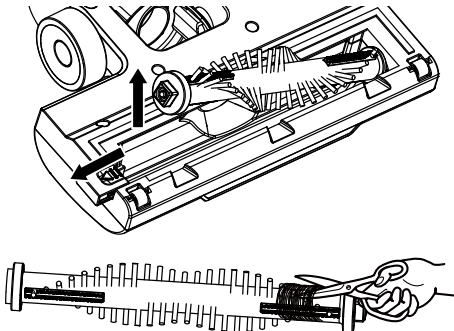
Risk of injury. Brush may start unexpectedly. Disconnect power nozzle from wand before cleaning or servicing.

Brush Roll Manual Cleaning

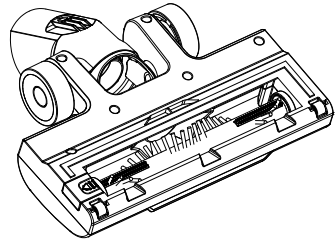
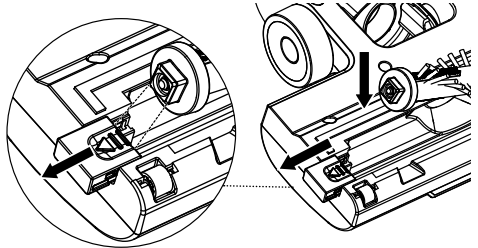
1. Make sure the vacuum cleaner is turned off. Remove the wand and the hand vacuum from the motorized nozzle and set aside.
2. Turn the nozzle over to access the brush roll. As shown below, press and push the tab on the left hand side of the nozzle to the left and hold it. This will unlock the brush roll.



3. With the tab pushed to the left, simply lift the brush roll out of the nozzle housing. Clean off debris and anything wrapped around the brush roll. Use a pair of scissors to remove threads, etc.



4. Place the brush roll back into the housing by aligning the hexagon end of the brush roll into the right end of the nozzle. Then push the unlock tab to the left and hold it. Align the square end of the brush roll with the left end of the nozzle and insert it into place. Release the tab to lock the brush roll.

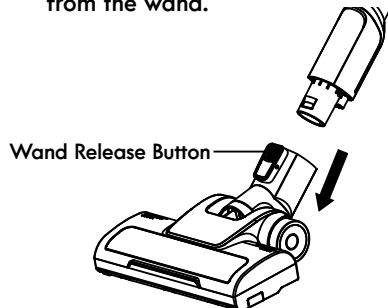


Brush Roll Reset

If the brush roll is blocked or overloaded, the unit will automatically stop power. Switch the unit off and remove the obstruction.

Hose Blockage Removal

1. To clean out the hose, press the wand release button on the motorized nozzle, and pull the motorized nozzle away from the wand.



CLEANING THE MOTORIZED NOZZLE & BLOCKAGES

2. Carefully remove any debris or blockage from the inside of the hose. Reattach the motorized nozzle onto the wand.
3. Once the blockage is removed, start the vacuum to ensure air flow through the hose.



CAUTION

Do not use scissors or other sharp objects to remove a blockage from the hose.

NOTE: It is recommended to store the vacuum within a temperature range between 39.2°F (4°C) and 104°F (40°C).

TROUBLESHOOTING

Review the table for solutions to minor performance problems. Any service needed, other than maintenance described in this Use & Care Guide, should be performed by a qualified service dealer.



WARNING

Disconnect electrical supply before performing maintenance to the vacuum cleaner. Failure to do so could result in electrical shock or personal injury.

PROBLEM	POSSIBLE CAUSE	SOLUTION
Vacuum will not power on.	Battery may be depleted.	Charge the battery as instructed on page 10.
	Wrong charger being used.	Be sure to use only the charger supplied with your product.
	Brush roll is jammed.	Remove obstruction. Follow instructions on page 15.
	Hand vacuum or battery is damaged.	Call 1-877-531-7321 (US) / 1-844-608-3081 (CA) for assistance.
Battery indicator does not illuminate when charging the battery.	Charging adapter is not plugged into outlet firmly.	Be sure the charging adapter is plugged in properly to the outlet, and the charging connector is plugged into the charging port of the hand vacuum.
	Dust accumulated on the charging port of the hand vacuum.	Clean off any dust accumulated on the charging port of the hand vacuum.
	No power at electrical outlet.	Check circuit breakers.
	The battery is damaged.	Call 1-877-531-7321 (US) / 1-844-608-3081 (CA) for assistance.
	The battery indicator is damaged.	Call 1-877-531-7321 (US) / 1-844-608-3081 (CA) for assistance.
Battery indicator does not illuminate when using the vacuum.	Battery may be depleted.	Charge the battery as instructed on page 10.
	The battery indicator is damaged.	Call 1-877-531-7321 (US) / 1-844-608-3081 (CA) for assistance.
Battery indicator red flashes and then turns off when using the vacuum.	This indicates an obstruction of brush roll or missing of the filters, which causes the motor protection to trip.	With the unit turned off, check to remove any obstruction in the brush roll or in the motor section, reinstall the filters into place and then re-start. If the unit cannot be re-started, call 1-877-531-7321 (US) / 1-844-608-3081 (CA) for assistance.
	Battery may be depleted.	Charge the battery as instructed on page 10.
Brush roll in the motorized nozzle is not turning.	Brush roll is jammed.	Remove obstruction. Follow instructions on page 15.
	Brush roll is not installed properly.	Remove the brush roll and reinstall as instructed on page 15.

TROUBLESHOOTING

Brush roll in the motorized nozzle is not turning.	Debris accumulates on metal contacts connecting the dust cup and the main body of the hand vacuum.	Remove the debris and reinstall as instructed on page 14.
	The dust cup is installed incorrectly.	Reinstall the dust cup correctly as instructed on page 14.
	The hand vacuum and the wand are not connected into place.	Reinstall the hand vacuum and the wand correctly as instructed on page 9.
	The motorized nozzle and the wand are not connected into place.	Reinstall the motorized nozzle and the wand correctly as instructed on page 15.
	Nozzle motor and brush roll both are not turning.	Check to confirm the above connections are properly made. Re-start the unit. If the nozzle motor and brush roll are still not turning, the nozzle motor may be damaged. Call 1-877-531-7321 (US) / 1-844-608-3081 (CA) for assistance.
	Nozzle motor is spinning, but the brush roll is not rotating.	The belt is broken. Call 1-877-531-7321 (US) / 1-844-608-3081 (CA) for assistance.
Vacuum is not picking up or suction power is weak.	Dust cup is full.	Empty the dust cup.
	Filter needs cleaning.	Follow filter cleaning instructions on page 13-14.
	Filter needs to be replaced.	To purchase parts call 1-877-531-7321 (US) / 1-844-608-3081 (CA).
	Battery may be depleted.	Charge the battery as instructed on page 10.
	Dust cup is not installed well.	Check the dust cup for correct installation and ensure it is snapped firmly in place.
Dust escapes from vacuum.	Filter is missing or installed incorrectly.	Check the filter for correct installation. See page 13-14.
	Filter is damaged and needs to be replaced.	To purchase a replacement filter, call 1-877-531-7321 (US) / 1-844-608-3081 (CA).
	Dust cup is full or is installed incorrectly.	Empty the dust cup container or position the dust cup correctly and snap firmly into place.
	Pre-filter is missing or is installed incorrectly.	Reinstall correctly as instructed on page 13-14.
Vacuum turns off on its own.	Battery may be depleted.	Charge the battery as instructed on page 10.
	Brush roll in the motorized nozzle is jammed or is not installed well causing motor protection system activated.	With the unit turned off, remove the obstruction or re-install the brush roll as instructed on page 15 and then re-start.
	Excessive loading on brush roll brush.	Remove the obstruction and then re-start.
	The suction inlet or hose is blocked or sealed.	Remove the obstruction and then re-start.
	The battery is damaged.	Call 1-877-531-7321 (US) / 1-844-608-3081 (CA) for assistance.

TABLA DE CONTENIDOS

Antes de usar su nueva aspiradora.....	1
Lista de empaque	1
Instrucciones de seguridad importantes.....	2-4
Garantía de la aspiradora	5
Piezas y características.....	6-8
Instrucciones de montaje	9-10
Instrucciones de uso	11-12
Mantenimiento y cuidado de la aspiradora.....	13-16
Resolución de problemas.....	17-18
Información de asistencia o servicio	Posterior Cubierta

ANTES DE USAR SU NUEVA ASPIRADORA

Lea esta guía de uso y cuidado. Lo ayudará a ensamblar y operar su nueva aspiradora Kenmore de la manera más segura y efectiva posible.

Para obtener más información sobre el cuidado y uso de la aspiradora, llame a la línea de ayuda al 1-877-531-7321 (US) / 1-844-608-3081 (CA). Necesitará el modelo completo y los números de serie al solicitar información.

El modelo de su aspiradora y los números de serie se ubican en la placa de modelo y número de serie. Use el siguiente espacio para registrar el número de modelo y el número de serie de su nueva aspiradora Kenmore.

N° de modelo _____

N° de serie _____

Fecha de compra _____

Guarde este libro y su boleta (recibo) de venta en un lugar seguro para usarlos como referencia a futuro.

LISTA DE EMPAQUE

Su ASPIRADORA INALÁMBRICA KENMORE incluye las siguientes piezas y componentes por separado en la caja:

1 Aspiradora de mano
1 Boquilla motorizada
1 Vara
1 Herramienta combinada

1 Soporte de montaje para pared
2 Tornillos
1 Cargador
1 Manual

INSTRUCCIONES DE SEGURIDAD IMPORTANTES

¡ADVERTENCIA!

LEA TODAS LAS INSTRUCCIONES DE ESTA GUÍA ANTES DE ENSAMBLAR O USAR SU ASPIRADORA. Para reducir el riesgo de incendio, descarga eléctrica, lesiones a personas o daños al usar su aspiradora, siga todas las precauciones de seguridad indicadas a continuación.

- Use su aspiradora solo como se indica en esta Guía de uso y cuidado.
- No use ni cargue en exteriores o sobre superficies mojadas.
- No permita que se utilice como un juguete. Se debe prestar estricta atención cuando es usado por niños o cuando se use cerca de ellos, de mascotas o de plantas.
- Utilice solo los aditamentos recomendados por el fabricante. No use accesorios que no sean los incluidos con esta aspiradora.
- No manipule el cargador, incluido el enchufe, ni las terminales de carga con las manos mojadas.
- No ponga objetos sobre las aberturas. No utilice si las aberturas están bloqueadas; mantenga las aberturas libres de polvo, cabellos, pelusas y cualquier cosa que pueda reducir el flujo de aire.
- Mantenga su cabello, ropas holgadas, dedos y partes de su cuerpo lejos de las aberturas y piezas móviles del producto.
- Tenga precaución adicional al limpiar en escaleras.
- No use el producto para aspirar líquidos combustibles o inflamables, como gasolina, ni lo use en áreas donde tales elementos puedan estar presentes.
- Apague el electrodoméstico antes de conectarle accesorios.
- No aspire elementos que estén en llamas o humeando, tales como cigarrillos, fósforos o cenizas calientes.
- No aspire soluciones tóxicas, como blanqueador con cloro, amoníaco o limpiador de drenaje.
- No usar sin el contenedor de polvo y el filtro HEPA instalados.
- No cargue la unidad en exteriores.
- Evite los arranques accidentales. Asegúrese de que el producto no funcione antes de conectarlo a la aspiradora de mano, recoger o llevar el aparato.
- No transporte el electrodoméstico con su dedo sobre el interruptor ni sobre electrodomésticos energizados encendidos.
- No intente usar este adaptador de carga con otro producto ni intente cargar este producto con otro adaptador de carga.
- Para recargar la aspiradora, use solo el adaptador de carga YINLI modelo YLS0241A-T256080.
- No use un electrodoméstico dañado o modificado. Los electrodomésticos dañados o modificados pueden presentar un comportamiento impredecible, provocando incendios, explosiones o riesgo de lesiones.
- No sumerja la aspiradora ni el adaptador de carga en agua u otros líquidos.
- Apague siempre la aspiradora antes de conectar o desconectar la boquilla motorizada.
- Almacene la aspiradora inalámbrica en interiores. Almacene la aspiradora lejos de alcance para evitar accidentes.
- Mantenga su zona de trabajo bien iluminada.

INSTRUCCIONES DE SEGURIDAD IMPORTANTES

- Mantenga la aspiradora moviéndose sobre la superficie alfombrada en todo momento para así evitar que las fibras de la alfombra se dañen.
- No aspire líquidos.
- No usar en un espacio confinado donde pueda haber presentes vapores de pintura, diluyente, sustancias antipolillas, polvo inflamable y otros materiales explosivos o tóxicos.
- No aspire objetos duros o filosos, como vidrio, clavos, tornillos o monedas, ya que puede dañar la aspiradora.
- Para evitar que se acumule calor excesivo en la unidad o en las baterías, no opere la batería mientras la está cargando.
- No use cables de extensión o tomas que no tengan una capacidad de transporte de corriente adecuada.
- No exponga un electrodoméstico al fuego o temperaturas excesivas. La exposición al fuego o a temperaturas sobre los 130 °C (265 °F) puede provocar una explosión.
- Una batería puede tener una fuga bajo condiciones extremas de temperatura o uso. Si cae líquido sobre la piel, lave rápidamente con agua. Si cae líquido a los ojos, enjuáguese inmediatamente con agua limpia durante al menos 10 minutos. Busque atención médica.
- Si bien no existe riesgo de descarga eléctrica en las terminales de la aspiradora, podría ocurrir una quemadura al insertar objetos metálicos en las terminales. Las terminales de la aspiradora siempre deben estar libres de objetos extraños.
- Almacene el cargador en interiores, en una zona seca y fresca, no expuesto al clima, para evitar descargas eléctricas o daños a la aspiradora.
- Los cambios o modificaciones a esta unidad no aprobados expresamente por el responsable del cumplimiento anularían la autoridad del usuario para operar el equipo.
- Una recarga inadecuada o a temperaturas fuera del rango especificado podría dañar la batería y aumentar el riesgo de incendio.
- Usted es responsable de asegurarse de que su aspiradora no sea usada por quienes no puedan operarla correctamente.
- Haga que las reparaciones las realice un técnico especializado, usando piezas de repuesto idénticas. Esto garantiza que se mantenga la seguridad del producto.
- No modifique ni intente reparar el electrodoméstico ni la batería (según aplique), salvo según se indica en las Instrucciones de uso y cuidado.
- **¡Este electrodoméstico está hecho sólo para uso doméstico!**

AVISO

Este dispositivo cumple con el Inciso 15 de las Regulaciones FCC. El uso está sujeto a las dos siguientes condiciones.

1. Este dispositivo no puede provocar interferencia dañina.
2. Este dispositivo debe aceptar cualquier interferencia recibida, incluida interferencia que pueda provocar un funcionamiento no deseado.

Desecho del producto

Este producto contiene un paquete interno de baterías de iones de litio formulado a partir de materiales que pueden causar daño ecológico. Este producto se debe desechar adecuadamente, cuidando correctamente del medioambiente. No deseche el producto junto con la

INSTRUCCIONES DE SEGURIDAD IMPORTANTES

basura doméstica corriente. Consulte a su autoridad de eliminación local para obtener información sobre la disponibilidad de opciones de reciclaje o eliminación.

GUARDE ESTAS INSTRUCCIONES

Exclusivamente para uso doméstico.

GARANTÍA DE LA ASPIRADORA

GARANTÍA LIMITADA

DURANTE UN AÑO a contar de la fecha de venta, este producto está garantizado contra defectos en sus materiales o fabricación cuando se ensambla, opera y mantiene siguiendo todas las instrucciones proporcionadas.

Un producto defectuoso puede reemplazarse por uno nuevo, de manera gratuita, considerando que se presente una PRUEBA DE VENTA.

La marca Kenmore se utiliza bajo licencia. Dirija sus reclamaciones de garantía a: 1-877-531-7321 (US) / 1-844-608-3081 (CA).

Esta garantía no cubre los filtros ni correas, las cuales son piezas desechables que pueden desgastarse debido al uso normal dentro del periodo de garantía.

Esta garantía queda nula si el producto llega a usarse para algún propósito que no sea el uso privado doméstico.

Esta garantía le otorga derechos legales específicos, y usted podría tener otros derechos que varían en función de cada estado.

Cleva North America, Inc., Greenville SC 29607

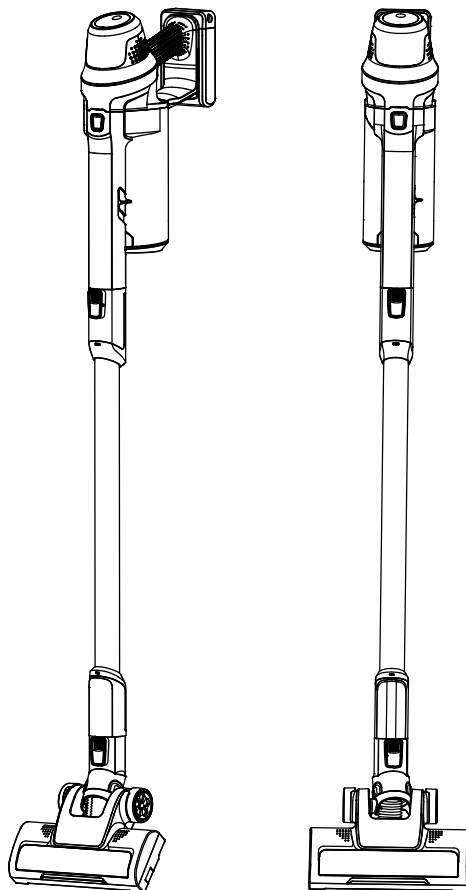
PIEZAS Y CARACTERÍSTICAS

Es importante que conozca las piezas de su aspiradora y sus funciones para así garantizar su uso seguro y adecuado. Repase esto antes de usar su aspiradora.

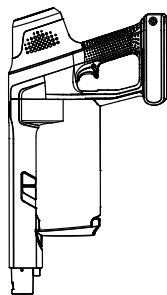
PIEZAS DE REPUESTO

Artículo	Pieza No. (US)	Pieza No. (CA)
Filtro HEPA	561051107	561051107
Canasto prefiltro	561059102	561059102
Cepillo de rodillo	561059103	561059103
Herramienta combinada 2 en 1	561051104	561051104
Adaptador de carga	561051105	561051105
Soporte de montaje para pared	561051102	561051102
Tornillo (2)	551001122	551001122

Para solicitar una pieza de repuesto, llame al 1-877-531-7321 (US) / 1-844-608-3081 (CA).



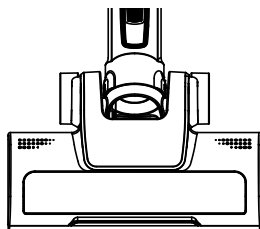
PIEZAS Y CARACTERÍSTICAS



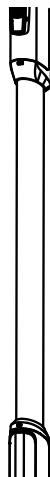
Aspiradora de mano



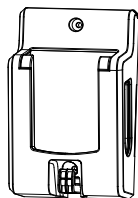
Adaptador de carga



Boquilla motorizada



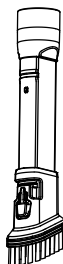
Vara



Soporte de montaje para pared



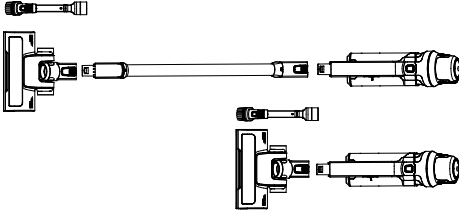
Tornillo (2)



Herramienta combinada 2 en 1

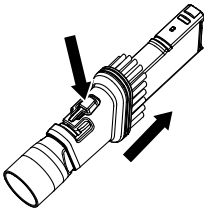
PIEZAS Y CARACTERÍSTICAS

La boquilla motorizada y la herramienta combinada pueden insertarse o en la aspiradora de mano o en la vara. Escuchará un clic si la boquilla motorizada se inserta correctamente.

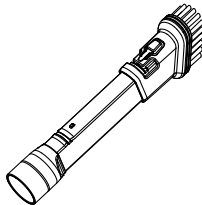


Herramientas combinadas

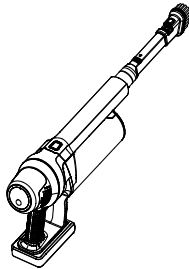
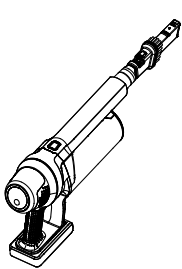
El cepillo combinado puede usarse como herramienta para grietas o como cepillo para quitar polvo, simplemente apriete los botones del costado de la herramienta y empuje hacia adelante.



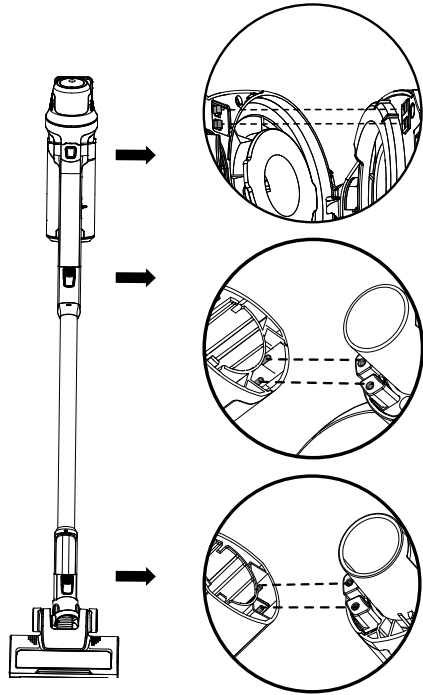
Herramienta Para Hendiduras



Cepillo Para Sacudir



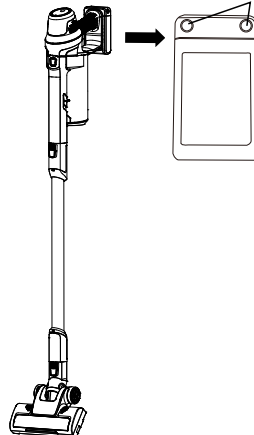
NOTA: para garantizar un contacto eléctrico adecuado, asegúrese siempre de que las superficies metálicas de contacto de la boquilla motorizada, de la vara y de la aspiradora de mano estén limpias antes de usarlas.



Tapones de sujeción de fricción

La parte posterior de la aspiradora de mano cuenta con dos tapones de goma. Cuando recarga el tubo de la aspiradora contra una pared, los tapones ayudan a evitar que la unidad se resbale y se dañe.

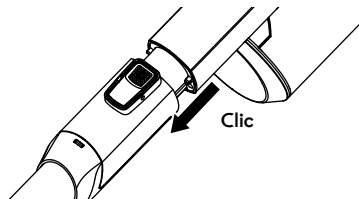
Almohadilla de goma



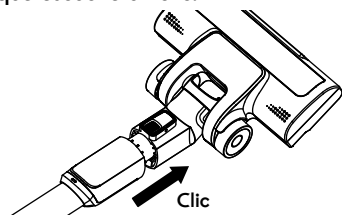
INSTRUCCIONES DE MONTAJE

Antes de ensamblar la aspiradora, revise la LISTA DE EMPAQUE (Página 2). Use esta lista para asegurarse de haber recibido todos los componentes de su nueva aspiradora inalámbrica de vara Kenmore CSV Go.

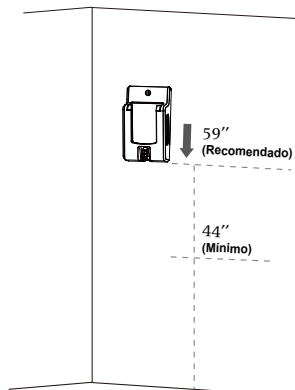
1. Inserte la aspiradora de mano en la parte superior de la vara hasta que escuche un clic.



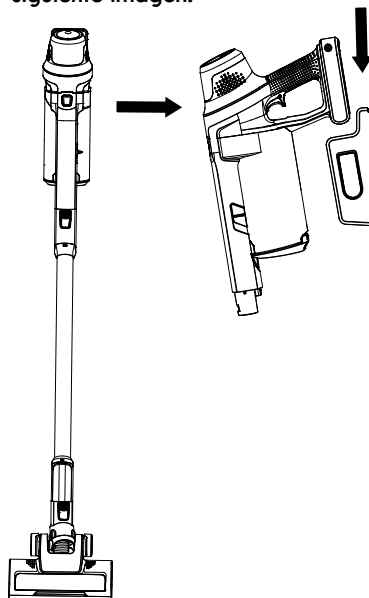
2. Inserte la parte inferior de la vara telescópica en la boquilla motorizada hasta que escuche un clic.



3. Use los 2 tornillos incluidos para montar la unidad en el soporte de pared, pero no sobre un muro hecho únicamente de yeso-cartón. Asegure los tornillos a una viga. Instale a una altura recomendada de 1,50 m (59") y a no menos de 1,10 m (44") sobre el suelo. Asegúrese de que no haya cables eléctricos, alambres o ductos directamente bajo el área de montaje.



4. Cuelgue la aspiradora de mano en el soporte de pared. Alinee la base de la aspiradora de mano con el soporte de pared y deslícela como se indica en la siguiente imagen.



NOTA: Para poder cargar la aspiradora estando montada, fije el soporte a la pared a no más de 1,50 m (59") de la toma de corriente.

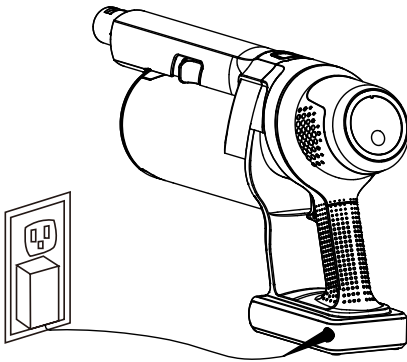
CARGA



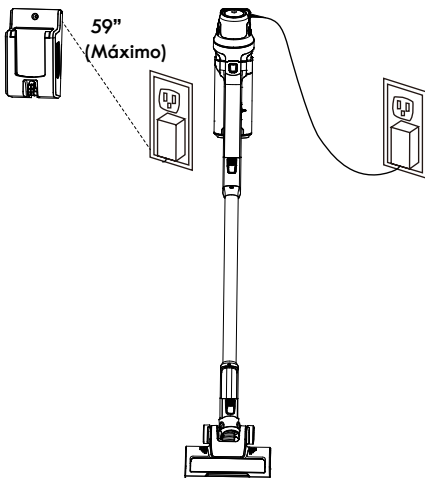
ADVERTENCIA

Antes de cargarla, asegúrese de que la unidad esté apagada.

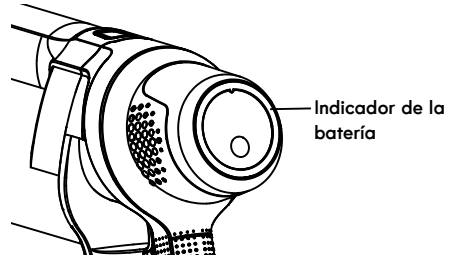
1. Inserte el conector del cargador al puerto de carga del costado de la base de la aspiradora de mano.
2. Enchufe el adaptador a una toma de pared. El indicador de la batería comenzará a pulsar de color azul.



NOTA: La unidad puede cargarse estando colgada en el soporte de montaje para pared. Fije el soporte al muro a no más de 1,50 m (59") de una toma de corriente.



La batería tarda unas 4 horas en cargarse completamente. Mientras la unidad esté cargándose, el anillo indicador de la batería pulsará de color azul. Cuando la batería esté cargada por completo, el indicador se volverá estático y de color azul; se apagará después de 15 minutos.



NOTA: Antes de usar la aspiradora de vara por primera vez, cárguela a su máxima capacidad.

NOTA: Si el indicador LED no se ilumina durante la carga, asegúrese de que el cargador está correctamente enchufado a la toma de pared y puerto de la aspiradora de mano.

Para mejorar el desempeño de la batería, se recomienda cargar la unidad cuando el indicador de la batería indique una luz amarilla continua durante el uso, y desconectar el cargador de la unidad después de que la batería se haya cargado por completo.

Nunca cargue las baterías a temperaturas superiores a 40°C (104°F) o por debajo de 4°C (39,2°F). Es normal que el cargador se caliente durante la carga.

INSTRUCCIONES DE USO

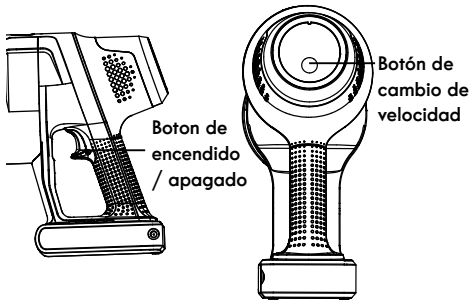
CUIDADO

¡Piezas móviles! Para reducir el riesgo de lesiones personales, NO toque el cepillo giratorio mientras la aspiradora esté en uso. Tocar el cepillo mientras está girando puede cortar, golpear o provocar otras lesiones. Apague siempre el producto antes de repararlo. Tenga cuidado al usarlo cerca de niños o mascotas.



BOTONES DE CONTROL

El botón de gatillo de encendido/apagado está ubicado en el costado interno de la manilla de la aspiradora. La aspiradora tiene dos controles de velocidad, ECO y HIGH. Cambie la velocidad presionando el botón de cambio de velocidad que se indica a continuación.



Indicador del nivel de energía de la batería

Las luces indicadoras del nivel de energía de la batería sirven para darle una idea de cuánta energía queda en un determinado momento.

Indicador del nivel de energía de la batería	Capacidad de la batería
Azul, continuo	75 %~100 %
Verde, continuo	50 %~74 %
Amarillo, continuo	25 %~49 % (Se recomienda recargar)
Rojo, continuo	10 %~24 %
Rojo, parpadeante	0~9 % (Se debe recargar)

NOTA: Retire la etiqueta indicadora de la batería antes del primer uso.

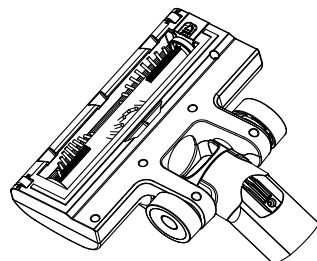
USO DE LA ASPIRADORA

CUIDADO

Use el electrodoméstico a una temperatura ambiente de 4 - 40 °C (39,2 - 104 °F) a fin de garantizar su funcionamiento normal y seguro.

Antes de aspirar pisos, conecte la boquilla motorizada a la vara. Luego, conecte la aspiradora de mano a la vara. La boquilla motorizada se puede usar para aspirar

alfombras o tapices, así como también pisos duros.



USO DE LA ASPIRADORA

Para encender la aspiradora, oprima el botón de encendido/apagado. Una vez encendida, se encenderá el indicador del nivel de la batería.

La aspiradora se enciende en la posición de velocidad ECO. Para cambiar la velocidad a velocidad HIGH (alta), oprima el botón de cambio de velocidad. Presione el botón de cambio de velocidad una vez más para volver a velocidad ECO.

Para apagar la aspiradora, presione el botón del gatillo de encendido/apagado

una vez más.

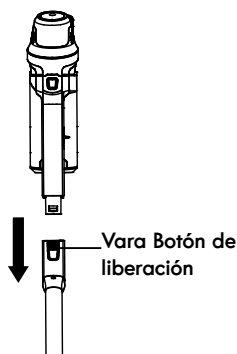
Para lograr el mejor desempeño cuando esté aspirando alfombras de plush, utilice el modo ECO.

NOTA: Cuando la energía de la batería baje hasta cerca del 10 % de su capacidad, el indicador de nivel de la batería comenzará a parpadear de color rojo. El parpadeo continuará hasta que la unidad se ponga a cargar o se quede completamente sin batería.

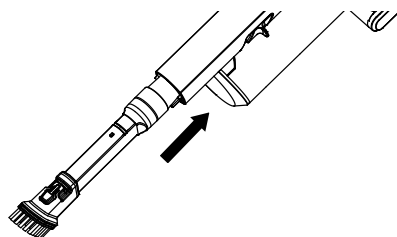
CÓMO LIMPIAR CON LA ASPIRADORA DE MANO

Limpie fácilmente suciedad en muebles, tapices, escaleras y otras áreas de difícil acceso, usando la herramienta combinada.

1. Para separar la aspiradora de mano, presione el botón de liberación y jale de la varilla para sacarla de la aspiradora de mano.



2. Instale la herramienta combinada en el extremo de la aspiradora de mano.



3. Cuando termine de limpiar, apague la aspiradora de mano y saque la herramienta combinada.

MANTENIMIENTO Y CUIDADO DE LA ASPIRADORA

CUIDADO

Para reducir el riesgo de descarga eléctrica, saque el cargador de la unidad y asegúrese de que permanezca apagada durante cualquier trabajo de mantenimiento.

VACIADO DEL CONTENEDOR DE POLVO Y LIMPIEZA DEL FILTRO

Vaciado del contenedor de polvo

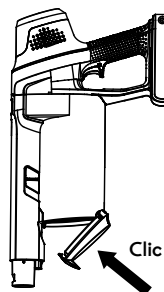
Para obtener el mejor desempeño posible, vacíe el contenedor de polvo tras cada uso o una vez que el polvo llegue hasta la línea máxima de llenado. Jamás use la aspiradora sin el contenedor de polvo y filtro instalados.

Antes de vaciar el contenedor de polvo, asegúrese de que la aspiradora esté apagada.

1. Coloque el área de la tapa del contenedor de polvo sobre un receptáculo de desechos. Presione el botón de liberación del contenedor de polvo para abrir la tapa y permitir que su contenido caiga hacia el receptáculo de desechos.



2. Cierre la tapa del contenedor de polvo hasta que escuche un clic.



Limpieza del filtro

Si hay cabello enredado o atascado en el contenedor de polvo, o si la potencia de succión es débil, se debe lavar el filtro HEPA y el canasto prefiltro para así limpiar el polvo o cabellos acumulados.

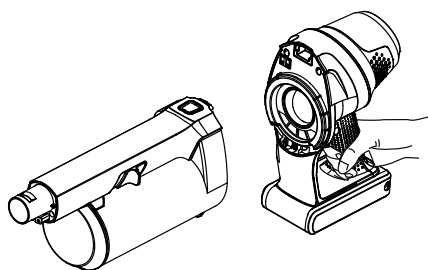
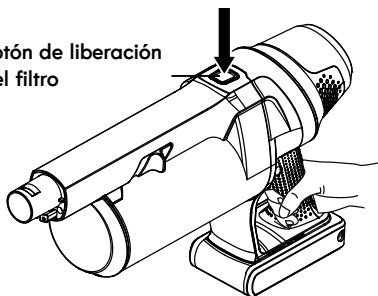
NOTA: Para lograr un desempeño óptimo, revise y limpie el filtro de medios HEPA regularmente.

ADVERTENCIA: No use la aspiradora sin los filtros instalados.

1. Con una mano sobre la manilla, presione el botón de liberación del filtro para separar al contenedor de polvo y filtros de la aspiradora.

EMPTYING DUST CUP AND CLEANING FILTER

Botón de liberación del filtro



2. Saque el filtro HEPA y el canasto prefiltro del contenedor de polvo.

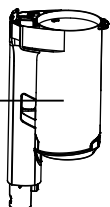
Filtro HEPA



Soporte Para el Filtro



Tazón de Polvo



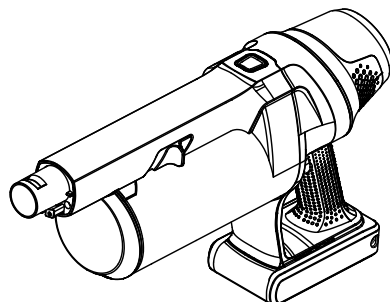
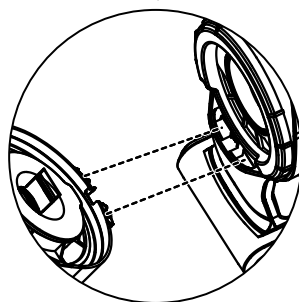
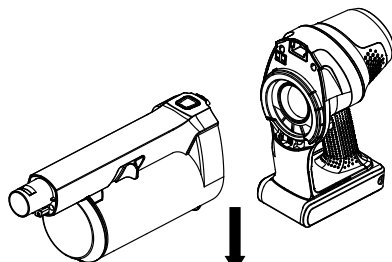
3. Cepille los sedimentos sueltos del Filtro HEPA y canasto prefiltro; luego, enjuague usando agua tibia. Coloque ambos filtros a un lado y déjelos secar al aire durante 24 horas.

IMPORTANTE: El filtro HEPA y el

prefiltro se deben secar completamente antes de volver a usarlos.

4. Coloque el canasto prefiltro nuevamente en el contenedor de polvo, luego coloque el filtro HEPA de vuelta en el canasto prefiltro.

5. Para instalar el contenedor de polvo en la aspiradora de mano, alinee las pestañas del contenedor de polvo con las ranuras de la aspiradora. Cuando todo esté alineado, inserte el contenedor de polvo hacia la aspiradora de mano hasta que escuche un clic.



LIMPIEZA DE LA BOQUILLA MOTORIZADA Y BLOQUEOS

El cepillo de rodillo puede acumular residuos como hilos, pelos y fibras. Este tipo de sedimentos puede enrollarse en el cepillo y reducir su capacidad de limpiar efectivamente.

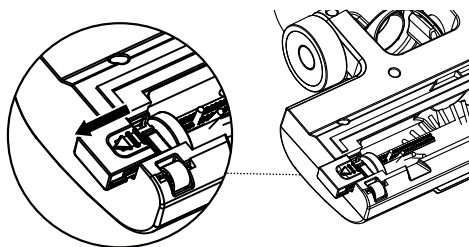


CUIDADO:

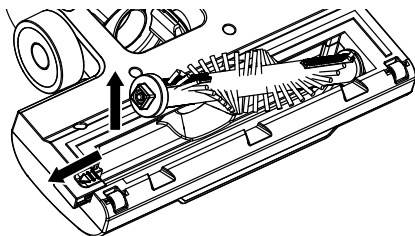
Riesgo de lesiones. El cepillo podría encenderse inesperadamente.
Desconecte la boquilla motorizada de la vara antes de limpiarla o repararla.

Limpeza manual del cepillo de rodillo

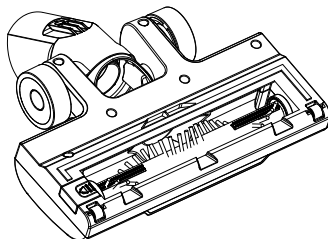
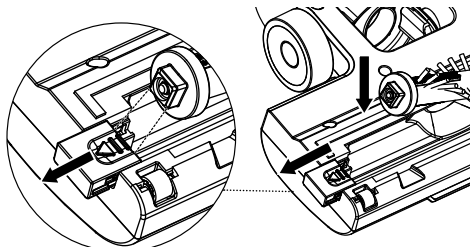
1. Asegúrese de que la aspiradora esté apagada. Retire la varilla y la aspiradora de mano de la boquilla motorizada y déjela a un lado.
2. Gire la boquilla para obtener acceso al cepillo de rodillo. Como se indica a continuación, presione y empuje la pestaña del lado izquierdo de la boquilla hacia la izquierda y sosténgala. Esto desbloqueará el cepillo de rodillo.



3. Con la pestaña presionada hacia la izquierda, eleve el cepillo de rodillo hacia afuera de la carcasa de la boquilla. Limpie los residuos y todo lo que esté alrededor del cepillo. Use unas tijeras para quitar los hilos, etc.



4. Coloque el cepillo de rodillo en la carcasa, alineando el extremo hexagonal del rodillo con el extremo derecho de la boquilla. Luego, presione la pestaña de liberación hacia la izquierda y sosténgala. Alinee el extremo cuadrado del cepillo de rodillo con el extremo izquierdo de la boquilla e inserte. Suelte la pestaña para bloquear el rodillo.



LIMPIEZA DE LA BOQUILLA MOTORIZADA Y BLOQUEOS

Restablecimiento del cepillo de rodillo

Si el rodillo se bloquea o sobrecarga, la unidad dejará de funcionar automáticamente. Apague la unidad y quite la obstrucción.

Quitar el bloqueo de la manguera

1. Para limpiar la manguera, presione el botón de liberación de la boquilla motorizada y júlela hacia afuera de la vara.



2. Quite cuidadosamente cualquier sedimento o bloqueo del interior de la manguera. Reinstale la boquilla motorizada en la vara.
3. Cuando haya extraído el bloqueo, encienda la aspiradora para asegurarse de que el aire fluya a través de la manguera.



¡CUIDADO!

No use tijeras ni otros objetos afilados para quitar un bloqueo de la manguera.

NOTA: Se recomienda almacenar la aspiradora a una temperatura entre 4 °C (39,2 °F) y 40 °C (104 °F).

RESOLUCIÓN DE PROBLEMAS

Revise la tabla de soluciones en relación a problemas de rendimiento menores. Cualquier reparación necesaria, que no sean los mantenimientos descritos en esta Guía de uso y cuidado, deben ser realizados por un técnico de servicio calificado.



ADVERTENCIA

Desconecte el suministro eléctrico antes de realizar mantenimiento a la aspiradora. El no seguir estas indicaciones puede provocar lesiones personales o descargas eléctricas.

PROBLEMA	POSIBLE CAUSA	SOLUCIÓN
La aspiradora no enciende.	La batería puede estar agotada.	Cargue la batería como se indica en la página 10.
	Está usando el cargador incorrecto.	Asegúrese de usar solo el cargador incluido con su producto.
	El rodillo está atascado.	Quite la obstrucción. Siga las instrucciones de la página 15.
	La aspiradora de mano o la batería está dañada.	Para obtener ayuda, llame al 1-877-531-7321 (US) / 1-844-608-3081 (CA).
El indicador de la batería no se enciende al cargar la batería.	El adaptador de carga no está enchufado completamente en el tomacorriente.	Asegúrese de que el cargador esté conectado correctamente a la toma de corriente y que el conector de carga esté enchufado al puerto de carga de la aspiradora de mano.
	Polvo acumulado en el puerto de carga de la aspiradora de mano.	Limpie el polvo acumulado en el puerto de carga de la aspiradora de mano.
	No hay corriente en el tomacorriente.	Revise los disyuntores.
	La batería está dañada.	Para obtener ayuda, llame al 1-877-531-7321 (US) / 1-844-608-3081 (CA).
	El indicador de la batería está dañado.	Para obtener ayuda, llame al 1-877-531-7321 (US) / 1-844-608-3081 (CA).
El indicador de la batería no se enciende al usar la aspiradora.	La batería puede estar agotada.	Cargue la batería como se indica en la página 10.
	El indicador de la batería está dañado.	Para obtener ayuda, llame al 1-877-531-7321 (US) / 1-844-608-3081 (CA).
El indicador de la batería parpadea de color rojo y se apaga al usar la aspiradora.	Esto indica una obstrucción en el cepillo de rodillo o que los filtros no están instalados, lo cual provoca que la protección del motor se active.	Con la unidad apagada, revise y quite cualquier obstrucción que haya en el cepillo de rodillo o en el motor, reinstale los filtros y vuelva a encender la aspiradora. Si no puede volver a encender la unidad, llame al 1-877-531-7321 (US) / 1-844-608-3081 (CA) para obtener ayuda.
	La batería puede estar agotada.	Cargue la batería como se indica en la página 10.
El cepillo de rodillo de la boquilla motorizada no está girando.	El rodillo está atascado.	Quite la obstrucción. Siga las instrucciones de la página 15.
	El rodillo no está instalado correctamente.	Quite el cepillo de rodillo e instálelo siguiendo las instrucciones de la página 15.

RESOLUCIÓN DE PROBLEMAS

	Los desechos se acumulan en los contactos metálicos que conectan el contenedor de polvo y el cuerpo principal de la aspiradora de mano.	Quite los sedimentos y reinstale siguiendo las instrucciones de la página 14.
	El contenedor de polvo está instalado incorrectamente.	Reinstale el contenedor de polvo siguiendo las instrucciones de la página 14.
	La aspiradora de mano y la vara no están conectadas.	Reinstale la aspiradora de mano y la vara correctamente, siguiendo las instrucciones de la página 9.
	La boquilla motorizada y la vara no están conectadas.	Reinstale la boquilla motorizada y la vara correctamente, siguiendo las instrucciones de la página 15.
	La boquilla motorizada y el cepillo de rodillo no giran.	Revise y confirme que las conexiones anteriormente mencionadas estén bien hechas. Vuelva a encender la unidad. Si la boquilla motorizada y el cepillo de rodillo aún no giran, puede que el motor de la boquilla esté dañado. Para obtener ayuda, llame al 1-877-531-7321 (US) / 1-844-608-3081 (CA).
	El motor de la boquilla gira, pero el cepillo de rodillo no.	La correa está rota. Para obtener ayuda, llame al 1-877-531-7321 (US) / 1-844-608-3081 (CA).
La aspiradora no succiona o lo hace con muy poca fuerza.	El contenedor de polvo está lleno.	Vacíe el contenedor de polvo.
	Se debe limpiar el filtro.	Siga las instrucciones de limpieza del filtro de la página 13-14.
	El filtro debe cambiarse.	Para solicitar piezas, llame al 1-877-531-7321 (US) / 1-844-608-3081 (CA).
	La batería puede estar agotada.	Cargue la batería como se indica en la página 10.
	El contenedor de polvo no está bien instalado.	Revise que el contenedor de polvo esté bien instalado y que esté firme en su lugar.
Hay un escape de polvo desde la aspiradora.	El filtro no está instalado o está instalado de forma incorrecta.	Revise que el filtro esté bien instalado. Consulte la página 13-14.
	El filtro está dañado y debe cambiarse.	Para solicitar un filtro de repuesto, llame al 1-877-531-7321 (US) / 1-844-608-3081 (CA).
	El contenedor de polvo está lleno o está instalado incorrectamente.	Vacíe el contenedor de polvo o colóquelo correctamente e insértelo con firmeza en posición.
	El prefiltro no está instalado o está instalado de forma incorrecta.	Reinstale correctamente como se indica en la página 13-14.
La aspiradora se apaga sola.	La batería puede estar agotada.	Cargue la batería como se indica en la página 10.
	El cepillo de rodillo de la boquilla motorizada está atascado o no está bien instalado, lo cual provoca que el sistema de protección del motor se active.	Con la unidad apagada, saque la obstrucción o reinstale el cepillo de rodillo como se indica en la página 15 y luego vuelva a encenderla.
	Exceso de carga en el cepillo del rodillo de cepillo.	Quite la obstrucción y encienda nuevamente.
	La entrada de succión o manguera están bloqueadas o selladas.	Quite la obstrucción y encienda nuevamente.
	La batería está dañada.	Para obtener ayuda, llame al 1-877-531-7321 (US) / 1-844-608-3081 (CA).

TABLE DES MATIÈRES

Avant Utilisation De Votre Nouvel Aspirateur	1
Liste Du Contenu.....	1
Consignes Importantes De Sécurité.....	2-4
Garantie De L'aspirateur.....	5
Pièces Et Fonctionnalités	6-8
Instructions De Montage	9-10
Instructions D'utilisation	11-12
Entretien Et Soins De L'aspirateur	13-16
Dépannage.....	16-18
Demande D'assistance Ou De Service.....	Back Cover

AVANT UTILISATION DE VOTRE NOUVEL ASPIRATEUR

Nous vous prions de lire ce guide. Il vous aidera à assembler et à vous servir de votre nouvel aspirateur Kenmore de la manière la plus sûre et efficace.

Pour plus d'informations sur l'entretien et le fonctionnement de l'aspirateur, appelez l'aspirateur Ligne d'aide au 1-877-531-7321 (US) / 1-844-608-3081 (CA). Vous aurez besoin de vos numéros complets de modèle et de série pour demander des renseignements. Le modèle et les numéros de série de votre aspirateur sont indiqués sur l'étiquette signalétique située sur le boîtier.

Servez-vous de l'espace ci-dessous pour inscrire les numéros de modèle et de série de votre nouvel aspirateur Kenmore.

Modèle N° _____

N° de série _____

Date d'achat _____

Gardez ce livre et votre reçu dans un lieu sûr en cas de nécessité future.

LISTE DU CONTENU

Votre ASPIRATEUR SANS FIL KENMORE est livré avec les pièces et composants suivants montés séparément dans le carton :

1 Aspirateur à main
1 Électro-brosse
1 Tube
1 Outil À Usages Multiples

1 Support À Montage Mural
2 Vis
1 Adaptateur De Charge
1 Manuel

CONSIGNES DE SÉCURITÉ IMPORTANTES

AVERTISSEMENT!

VEUILLEZ LIRE L'INTÉGRALITÉ DES CONSIGNES CONTENUES DANS LE PRÉSENT GUIDE AVANT DE MONTER OU D'UTILISER VOTRE ASPIRATEUR. Afin de réduire tous risques d'incendie, d'électrocution, de blessures corporelles ou de dommages lors de l'utilisation de votre aspirateur, veuillez respecter l'intégralité des consignes de sécurité énumérées ci-après.

- Utilisez votre aspirateur uniquement de la manière décrite dans le présent Guide D'Utilisation Et D'Entretien.
- Ne pas utiliser ni charger cet appareil à l'extérieur ou sur des surfaces humides.
- Ne pas permettre que l'appareil soit utilisé comme un jouet. Soyez très attentif s'il est utilisé par des enfants ou à proximité d'enfants, d'animaux de compagnie ou de plantes.
- Utilisez exclusivement des accessoires recommandés par le fabricant. Ne pas utiliser d'autres accessoires que ceux livrés avec cet aspirateur.
- Ne pas utiliser avec un cordon ou une fiche endommagé(e). Si l'aspirateur ne fonctionne pas comme il se doit, s'il est tombé, endommagé, laissé à l'extérieur ou jeté dans de l'eau, cessez immédiatement l'utilisation et appelez le 1-877-531-7321 (US) / 1-844-608-3081 (CA) pour organiser le service de réparation.
- Ne manipulez pas le chargeur, y compris la fiche du chargeur ainsi que les bornes du chargeur lorsque vos mains sont mouillées.
- N'introduire aucun objet dans les orifices de l'appareil. Ne pas utiliser l'appareil si un orifice est bouché. Faites en sorte que les orifices ne soient pas encombrés de poussières, peluches, cheveux ou de toute autre objet susceptible de gêner la circulation de l'air.
- Maintenez vos cheveux, vêtements amples, doigts et toutes parties du corps à l'écart des orifices et des pièces mobiles.
- Faites très attention lorsque vous nettoyez des escaliers.
- Ne pas utiliser l'appareil pour aspirer des liquides inflammables ou combustibles, notamment de l'essence, et ne pas l'utiliser dans des endroits où ces substances peuvent être présentes.
- Mettez l'appareil hors tension avant de brancher les accessoires.
- Ne pas aspirer de matières en combustion ou qui dégagent de la fumée, telles que des cigarettes, des allumettes ou des cendres chaudes.
- Ne pas recueillir de solutions toxiques, notamment produit à blanchir au chlore, ammoniaque ou nettoyeurs de conduits.
- Ne pas utiliser sans bac à poussière et filtre HEPA en place.
- Ne pas charger l'appareil à l'extérieur.
- Évitez tout démarrage accidentel de l'appareil. Assurez-vous que le produit n'est pas en marche avant de le raccorder à un aspirateur à main, de le prendre ou de transporter l'appareil.
- Ne pas transporter l'appareil en plaçant votre doigt sur le commutateur ou en mettant sous tension des appareils équipés d'un commutateur.
- Ne pas tenter d'utiliser cet adaptateur de charge avec un autre produit ni de charger ce produit à l'aide d'un autre adaptateur de charge.
- Pour recharger l'aspirateur, utilisez exclusivement l'adaptateur de charge Kenmore modèle 052-52632.

CONSIGNES DE SÉCURITÉ IMPORTANTES

- Ne pas utiliser un appareil qui est endommagé ou modifié. Un appareil endommagé ou modifié peut présenter un comportement imprévisible entraînant des risques d'incendie, d'explosion ou de blessures.
- Ne pas plonger l'aspirateur ou l'adaptateur de charge dans l'eau ou dans tous autres liquides.
- Mettez toujours hors l'aspirateur avant de brancher ou de débrancher l'électro-brosse.
- Rangez l'aspirateur sans fil à l'intérieur. Rangez l'aspirateur sans fil à l'écart afin de prévenir des accidents.
- Maintenez votre espace de travail bien éclairé.
- Déplacez continuellement l'aspirateur sur la surface des moquettes à tout moment afin d'éviter d'endommager les fibres des moquettes.
- Ne pas aspirer des liquides.
- Ne pas utiliser l'appareil dans un espace clos où sont présentes des vapeurs émanant de peinture, de diluant à peinture, de substances antimites, de poussières inflammables ou de toutes autres matières explosives ou toxiques.
- Ne pas recueillir d'objets durs ou tranchants tels que du verre, des clous, des vis ou des pièces de monnaie qui risquent d'endommager l'aspirateur.
- Afin d'éviter de générer une chaleur excessive et d'endommager l'appareil ou les piles, ne faites pas fonctionner l'aspirateur en cours de charge.
- N'utilisez ni rallonges ni prises de courant présentant une capacité de transport de courant inadéquate.
- Ne pas exposer un appareil au feu ou à des températures excessives. Une exposition au feu ou à une température supérieure à 265 °F (130 °C) risque de provoquer une explosion.
- Des éléments des piles peuvent couler dans des conditions extrêmes d'utilisation ou de température. En cas de contact du liquide avec la peau, lavez rapidement la partie touchée à l'eau. En cas de contact du liquide avec les yeux, rincez-les abondamment et immédiatement à l'eau propre pendant au moins 10 minutes. Veuillez obtenir l'avis d'un médecin.
- Bien qu'il n'existe aucun risque d'électrocution émanant des bornes électriques situées sur l'aspirateur, une brûlure peut survenir lors de l'insertion d'objets métalliques dans les zones des bornes. Les bornes de l'aspirateur doivent toujours être exemptes d'objets.
- Rangez le chargeur à l'intérieur dans un endroit frais et sec, à l'abri des intempéries afin de prévenir tout risque d'électrocution et/ou d'éviter d'endommager l'aspirateur.
- Tout apport de changement ou de modification à cet appareil qui n'est pas approuvé expressément par la partie responsable de la conformité peut annuler le droit de l'utilisateur d'utiliser l'appareil.
- Une charge incorrecte ou à des températures situées en dehors de la gamme indiquée peut endommager la batterie et augmenter les risques d'incendie.
- Il vous incombe de veiller à ce que votre aspirateur ne soit pas utilisé par des personnes qui ne sont pas en mesure de l'utiliser correctement.
- Faites effectuer l'entretien par un réparateur qualifié en utilisant uniquement

des pièces de rechange identiques. Cette démarche permet d'assurer la sécurité du produit.

- Ne pas modifier ni tenter de réparer l'appareil ou le bloc-batterie (le cas échéant) sauf ainsi qu'indiqué dans les instructions d'utilisation et d'entretien.
- Cet appareil est conçu pour un usage domestique exclusivement!

REMARQUE

Cet appareil est conforme à la Section 15 des règles de la FCC. Son utilisation est soumise aux deux conditions suivantes.

1. Cet appareil ne doit pas causer d'interférences nuisibles.

2. Cet appareil doit accepter toute interférence reçue, y compris les interférences susceptibles de provoquer un fonctionnement indésirable.

Mise au rebut du produit

Ce produit contient un bloc batterie interne à Lithium-ion formulé à partir de matériaux néfastes pour l'environnement. Ce produit doit être mis au rebut convenablement avec toutes les précautions nécessaires pour l'environnement. Ne jetez pas le produit avec vos déchets ménagers.

Contactez les autorités locales de gestion des déchets pour obtenir des informations concernant les options de recyclage ou de mise au rebut disponibles.

CONSERVEZ LES PRÉSENTES CONSIGNES

Prévu pour une utilisation domestique uniquement.

GARANTIE DE L'ASPIRATEUR

GARANTIE LIMITÉE

À compter de la date de vente, ce produit est garanti contre tout défaut de fabrication et de matériaux lorsqu'il est assemblé, exploité et entretenu conformément à toutes les instructions fournies. **PENDANT UN AN.**

MUNI D'UNE PREUVE DE VENTE, renvoyez tout produit défectueux au revendeur auprès de qui il a été acheté aux fins de remplacement gratuit. Cette garantie ne couvre pas les filtres ou les courroies, qui sont des pièces consommables qui peuvent s'user hors d'une utilisation normale pendant la période de garantie.

La marque Kenmore est utilisée sous licence. Envoyez toutes les réclamations pour le service de garantie à: 1-877-531-7321 (US) / 1-844-608-3081 (CA).

La présente garantie vous accorde des droits spécifiques légaux, mais vous pouvez également avoir d'autres droits qui varient selon les États.

Cleva North America, Inc., Greenville SC 29607

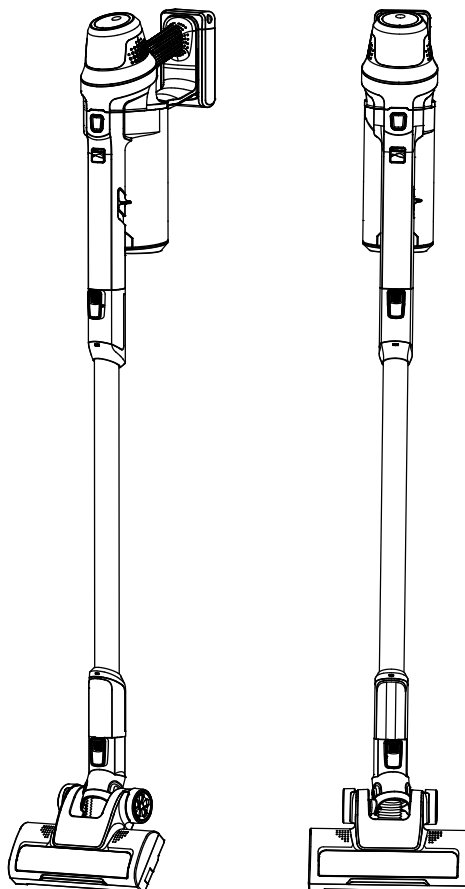
PIÈCES ET FONCTIONNALITÉS

Il est important de connaître les pièces et les caractéristiques de votre aspirateur afin d'en assurer une utilisation correcte et en toute sécurité. Examinez-les avant d'utiliser votre aspirateur.

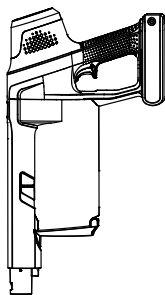
PIÈCES DE RECHANGE

Élément	N° au (US)	N° au (CA)
Filtre HEPA	561051107	561051107
Panier du pré-filtre	561059102	561059102
Brosse À Rouleau	561059103	561059103
Outil À Usages Multiples 2 en 1	561051104	561051104
Adaptateur de charge	561051105	561051105
Support À Montage Mural	561051102	561051102
Vis (2)	551001122	551001122

Pour passer commande d'une pièce de rechange, veuillez composer le numéro:
1-877-531-7321 (US) /
1-844-608-3081 (CA)



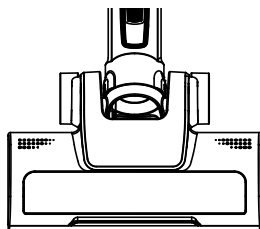
PIÈCES ET FONCTIONNALITÉS



Aspirateur à main



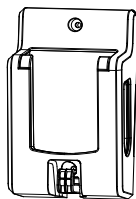
Adaptateur de charge



Électro-brosse



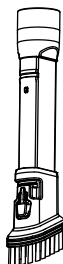
Tube



Support À Montage Mural



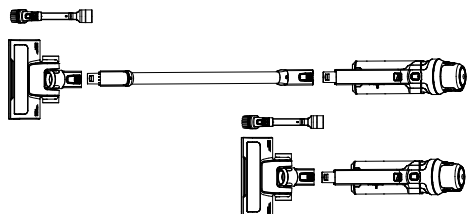
Vis (2) 2 en 1



Outil À Usages Multiples

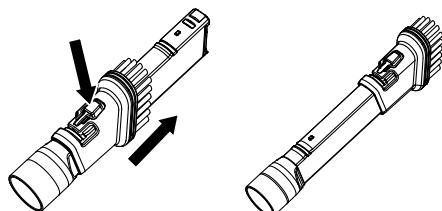
PIÈCES ET FONCTIONNALITÉS

L'électro-brosse et l'outil à usages multiples peuvent être insérés dans l'aspirateur à main ou dans le tube. Vous entendrez un déclic si l'électro-brosse est correctement installée.



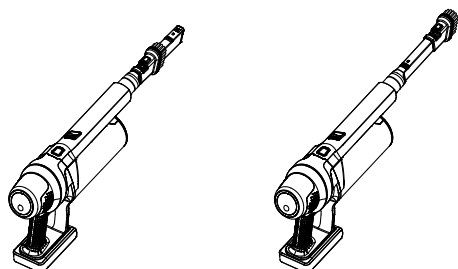
Outil à usages multiples

La brosse à usages multiples peut être utilisée en guise de suceur ou de brosse à épousseter. Pour l'utiliser en guise de brosse à épousseter, il suffit d'appuyer sur les boutons situés sur le côté de l'outil et de déplacer la brosse vers l'avant.

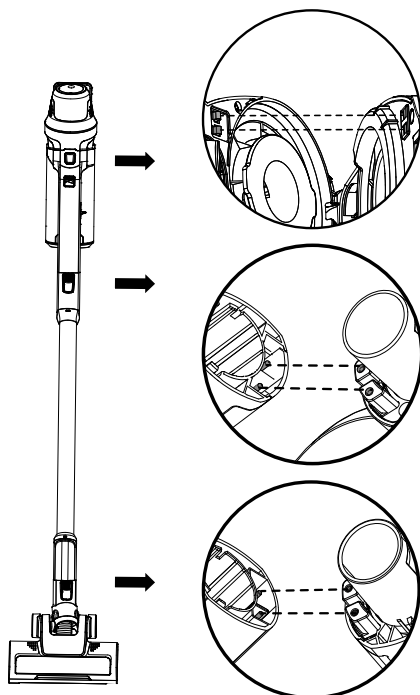


Mode Suceur

Mode Brosse À Épousseter



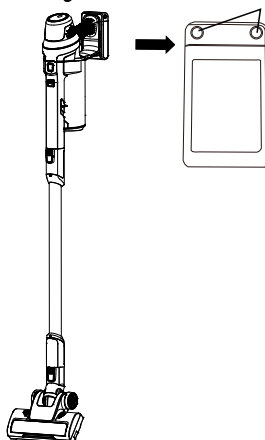
REMARQUE: Pour garantir un contact électrique correct, assurez-vous toujours que les surfaces métalliques de contact de l'électro-brosse, du tube et de l'aspirateur à main sont propres avant toute utilisation.



Bouchons De Maintien Par Friction

Le dos de l'aspirateur à main est muni de deux bouchons en caoutchouc. Lorsque vous appuyez l'aspirateur-balai contre un mur, les bouchons empêchent l'appareil de glisser et d'être éventuellement endommagé.

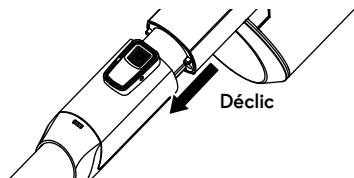
Bouchons en caoutchouc



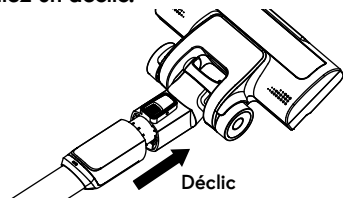
INSTRUCTIONS DE MONTAGE

Avant de monter l'aspirateur, consultez la LISTE DU CONTENU (page 2). Utilisez cette liste afin de vous assurer d'avoir reçu tous les composants de votre Aspirateur-balai Sans Fil CSV Go Kenmore tout neuf.

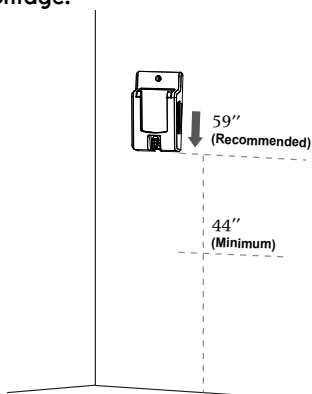
1. Insérez l'aspirateur à main dans la partie supérieure du tube jusqu'à ce que vous entendiez un déclic.



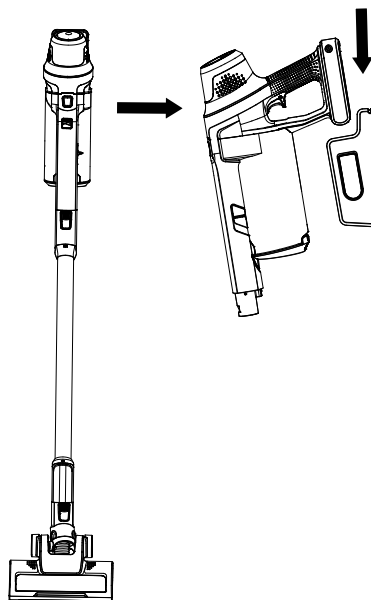
2. Insérez la partie inférieure du tube dans l'électro-brosse jusqu'à ce que vous entendiez un déclic.



3. Utilisez les 2 vis fournies pour fixer le support au mur, mais pas uniquement sur de la cloison sèche. Fixez les vis sur un montant. Montez le produit à une hauteur recommandée de 59 po et pas moins de 44 po au-dessus du plancher. Assurez-vous de l'absence de tuyauterie, de câbles électriques, de fils ou de système de conduits dissimulés directement derrière la zone de montage.



4. Accrochez l'aspirateur à main sur le support mural. Alignez le socle de l'aspirateur à main sur le support mural, puis faites-le glisser pour l'insérer ainsi qu'illustré dans l'image ci-dessous.



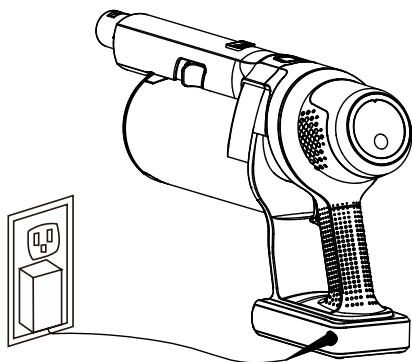
REMARQUE: Pour pouvoir charger l'aspirateur pendant qu'il est monté, fixez le support au mur à une distance maximale de 59 po d'une prise de courant.

INSTRUCTIONS DE MONTAGE

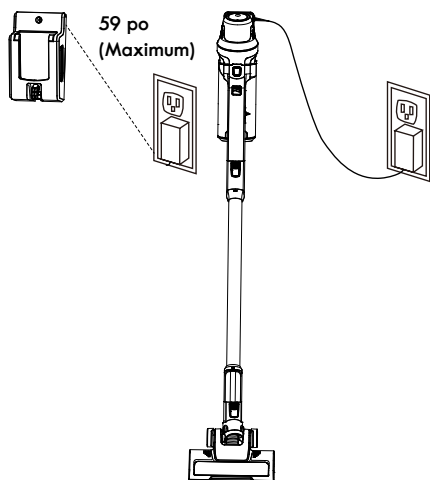
AVERTISSEMENT

Avant de procéder à la charge, assurez-vous que l'appareil est **HORS TENSION**.

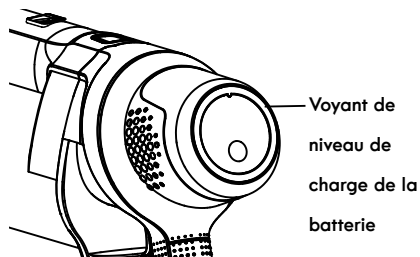
1. Insérez l'adaptateur de charge dans le port de charge situé sur le côté du socle de l'aspirateur à main.
2. Branchez l'adaptateur de charge à une prise de courant. Le voyant de niveau de charge de la batterie commence à clignoter en bleu.



REMARQUE: L'appareil peut être chargé lorsqu'il est accroché au support à montage mural. Ne pas fixer le support au mur à plus de 59 po d'une prise de courant.



La batterie nécessite environ 4 heures de charge pour retrouver sa pleine capacité. Pendant que l'appareil est en charge, le voyant (en forme d'anneau) de niveau de charge de la batterie clignote en bleu. Lorsque la batterie est entièrement chargée, le voyant de niveau de charge de la batterie s'allume en bleu fixe, puis s'éteint au bout de 15 minutes.



REMARQUE: Avant la première utilisation de l'aspirateur-balai, chargez l'aspirateur à sa pleine capacité.

REMARQUE: Si le voyant de niveau de charge de la batterie ne s'allume pas lors de la charge, assurez-vous que l'adaptateur de charge est correctement branché à la prise de courant et au port de charge de l'aspirateur à main.

Pour obtenir des performances optimales de la batterie, nous vous recommandons de charger l'appareil lorsque le voyant de niveau de charge de la batterie s'allume en jaune fixe en cours d'utilisation, et de retirer l'adaptateur de charge de l'appareil une fois la batterie entièrement chargée.

Ne jamais charger les batteries à des températures supérieures à 104 °F (40 °C) ou inférieures à 39,2 °F (4 °C). Il est normal que le chargeur devienne tiède en cours de charge.

INSTRUCTIONS D'UTILISATION

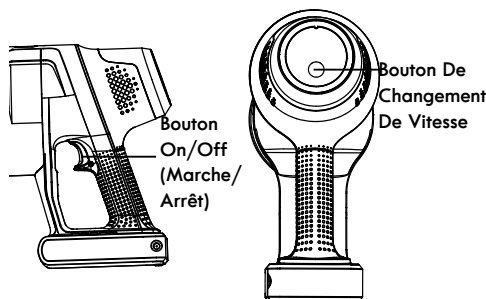
ATTENTION

Pièces mobiles! Afin de réduire tout risque de blessures corporelles, **NE touchez PAS** la brosse à rouleau lorsque l'aspirateur est en marche. Un contact éventuel avec la brosse à rouleau en rotation peut entraîner des coupures, des contusions ou d'autres blessures. Mettez toujours l'appareil hors tension avant de procéder à des réparations. Faites preuve de prudence lorsque vous utilisez l'aspirateur en présence d'enfants ou d'animaux familiers.



BOUTONS DE COMMANDE

Le bouton de déclenchement On/Off (Marche/Arrêt) est situé sur la face intérieure du manche de l'aspirateur à main. L'aspirateur est doté de commandes à deux vitesses, ECO (Économie) et HIGH (Élevée). Changez de vitesse en appuyant sur le bouton de changement de vitesse illustré ci-dessous.



Voyant De Niveau De Charge De La Batterie

Le voyant de niveau de charge de la batterie s'allume pour vous donner une idée de la charge restante de la batterie à un moment donné.

Voyant De Niveau De Charge De La Batterie	Niveau de charge de la batterie
Bleu, Fixe	de 75 % à 100 %
Vert, fixe	de 50 % à 74 %
Jaune, Fixe	de 25 % à 49 % (Recharge recommandée)
Rouge, fixe	de 10 % à 24 %
Rouge, Clignotant	de 0 à 9 % (Recharge recommandée)

REMARQUE: Veuillez retirer l'étiquette du voyant de niveau de charge de la batterie avant la première utilisation.

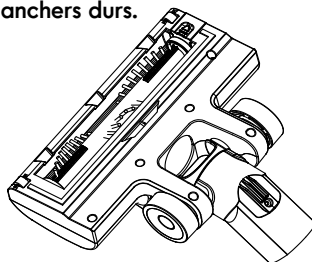
UTILISATION DE L'ASPIRATEUR

ATTENTION

Utilisez l'appareil à une température ambiante comprise entre 39,2 °F (4 °C) et 104 °F (40 °C) afin d'assurer un fonctionnement normal et sûr.

Avant de passer l'aspirateur sur des planchers, raccordez l'électro-brosse au tube. Ensuite, raccordez l'aspirateur à main au tube. L'électro-brosse peut être utilisée

pour nettoyer moquettes ou tapis, ainsi que des planchers durs.



VACUUM OPERATION

Pour démarrer l'aspirateur, appuyez sur le bouton de déclenchement On/Off (Marche/Arrêt). Une fois allumé, le voyant de niveau de charge de la batterie s'allume.

L'aspirateur démarre en position de vitesse ECO (Économie). Pour passer à la vitesse HIGH (Élevée), appuyez sur le bouton de changement de vitesse. Appuyez à nouveau sur le bouton de changement de vitesse pour revenir à la vitesse ECO (Économie).

Pour mettre hors tension l'aspirateur, appuyez à nouveau sur le bouton de déclenchement On/Off (Marche/Arrêt).

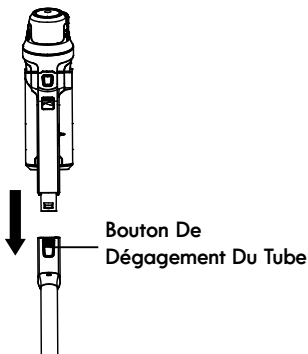
Lorsque vous passez l'aspirateur sur une moquette en peluche, utilisez le mode ECO (Économie) afin d'obtenir des performances optimales.

REMARQUE: Lorsque le niveau de charge de la batterie diminue à environ 10 % de charge restante de la batterie, le voyant de niveau de charge de la batterie commence à clignoter en rouge. Le clignotement se poursuit jusqu'à la charge de l'appareil ou jusqu'à ce que la batterie de l'appareil soit complètement déchargée.

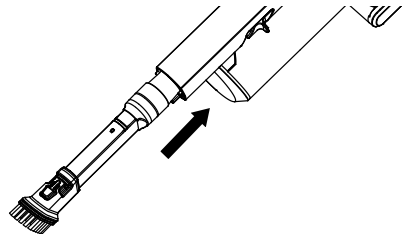
NETTOYAGE À L'AIDE DE L'ASPIRATEUR À MAIN

Nettoyez en toute facilité les dégâts sur les meubles, les tissus d'ameublement, les escaliers et tous autres endroits difficiles d'accès grâce à l'outil à usages multiples fourni.

1. Pour détacher l'aspirateur à main, appuyez sur le bouton de dégagement du tube, puis tirez le tube de l'aspirateur à main.



2. Installez l'outil à usages multiples sur l'extrémité de l'aspirateur à main.



3. Au terme du nettoyage, mettez hors tension l'aspirateur à main, puis retirez l'outil à usages multiples.

ENTRETIEN ET SOIN DE L'ASPIRATEUR

ATTENTION

Pour réduire tous risques d'électrocution, retirez l'adaptateur de charge de l'appareil et assurez-vous que l'appareil est mis hors tension avant de procéder à tout entretien.

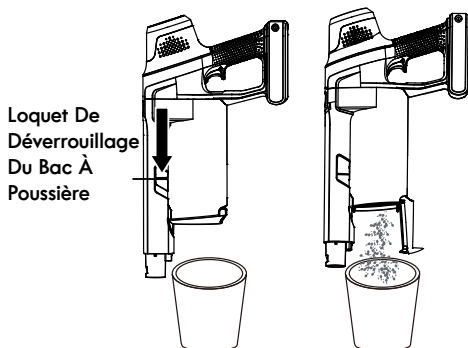
VIDANGE DU BAC À POUSSIÈRE ET NETTOYAGE DU FILTRE

VIDANGE DU BAC À POUSSIÈRE

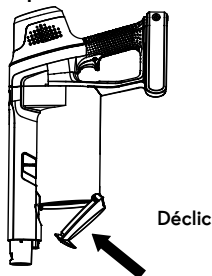
Pour obtenir des performances optimales, videz le bac à poussière après chaque utilisation ou lorsque la poussière atteint la ligne de remplissage maximale. Ne jamais utiliser l'aspirateur sans le bac à poussière et le filtre en place.

Avant de vider le bac à poussière, assurez-vous que l'aspirateur est mis hors tension.

1. Placez le couvercle du bac à poussière au-dessus d'une poubelle. Appuyez sur le loquet de déverrouillage du bac à poussière pour ouvrir le couvercle du bac à poussière, puis renversez le contenu du bac dans la poubelle.



2. Fermez le couvercle du bac à poussière jusqu'à ce que vous entendiez un déclic.



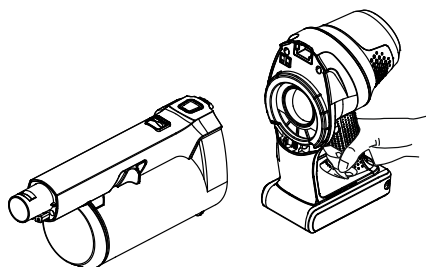
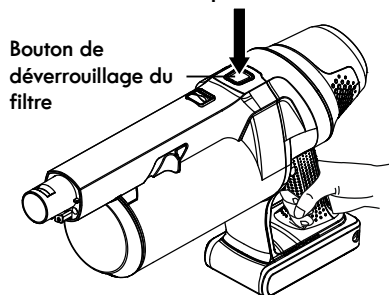
Nettoyage des filtres

En cas de cheveux enroulés ou bloqués dans le bac à poussière ou de puissance d'aspiration faible, il est nécessaire de laver le filtre HEPA ainsi que le panier du pré-filtre afin d'éliminer toute accumulation de poussières ou de cheveux ou poils.

REMARQUE: Pour obtenir des performances optimales, veuillez vérifier l'état du filtre à particules HEPA et nettoyer celui-ci régulièrement.

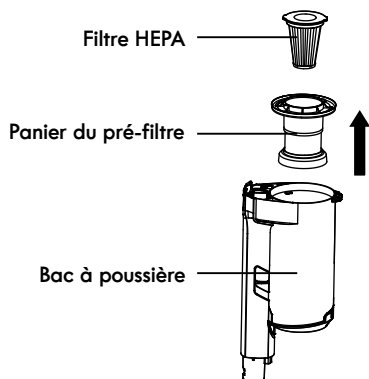
AVERTISSEMENT: Ne pas utiliser l'aspirateur sans filtres en place.

1. Saisissez d'une main le manche, appuyez sur le bouton de dégagement du filtre pour séparer le bac à poussière et les filtres de l'aspirateur à main.



VIDANGE DU BAC À POUSSIÈRE ET NETTOYAGE DU FILTRE

2. Retirez le filtre HEPA et le panier du pré-filtre du bac à poussière.

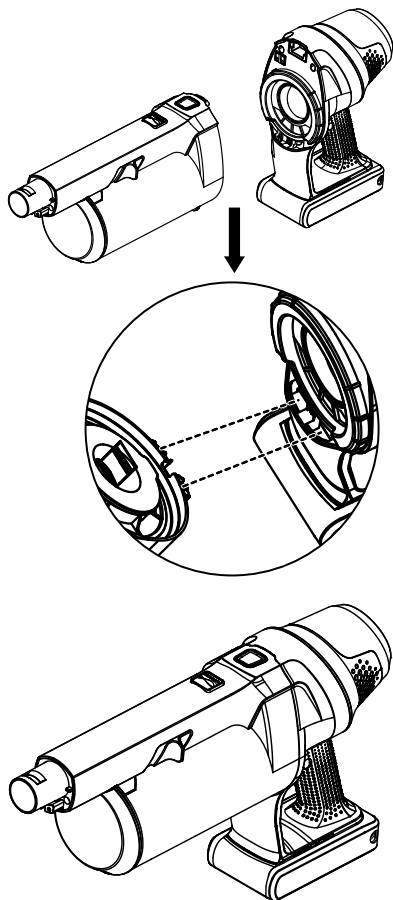


3. Éliminez à l'aide d'une brosse tous débris du filtre HEPA et du panier du pré-filtre, puis rincez ceux-ci à l'eau tiède. Mettez les deux filtres de côté, puis laissez-les sécher à l'air libre pendant 24 heures.

IMPORTANT: Le filtre HEPA et le pré-filtre doivent sécher complètement avant d'être réutilisés.

4. Remettez en place le panier du pré-filtre dans le bac à poussière, puis replacez le filtre HEPA dans le panier du pré-filtre.

5. Pour remonter le bac à poussière sur l'aspirateur à main, alignez les languettes du bac à poussière sur les fentes de l'aspirateur à main. Une fois alignés, fixez le bac à poussière sur l'aspirateur à main jusqu'à ce que vous entendiez un déclic.



NETTOYAGE DE L'ÉLECTRO-BROSSE ET DES OBSTRUCTIONS

La brosse à rouleau peut accumuler des débris tels que ficelles, cheveux ou poils et des fibres. Ce genre de débris peut s'enrouler autour de la brosse et réduire sa capacité à nettoyer efficacement.

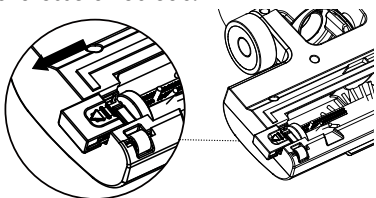


ATTENTION

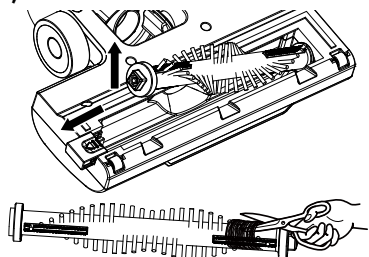
Risques de blessures. La brosse peut se mettre en marche de manière inattendue. Détachez l'électro-brosse du tube avant de procéder à tous travaux de nettoyage ou d'entretien ou de réparation.

Nettoyage à la main de la brosse à rouleau

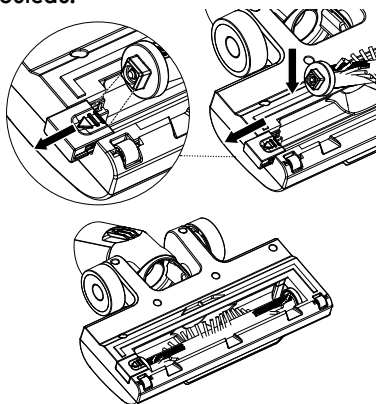
1. Assurez-vous que l'aspirateur est mis hors tension. Retirez le tube et l'aspirateur à main de l'électro-brosse, puis mettez-les de côté.
2. Retournez la buse afin d'accéder à la brosse à rouleau. Ainsi qu'illustré ci-dessous, appuyez sur la languette située sur le côté gauche de la buse, poussez-la vers la gauche et maintenez-la enfoncée. Cela permet de déverrouiller la brosse à rouleau.



3. En poussant la languette vers la gauche, il suffit de soulever la brosse à rouleau pour le dégager du logement de la buse. Éliminez les débris et tous objets enroulés autour de la brosse à rouleau. Utilisez une paire de ciseaux pour éliminer les fils, etc.



4. Remplacez la brosse à rouleau dans le boîtier en alignant l'extrémité hexagonale de la brosse à rouleau dans l'extrémité droite de la buse. Ensuite, poussez la languette de déverrouillage vers la gauche et maintenez-la enfoncée. Alignez l'extrémité carrée de la brosse à rouleau sur l'extrémité gauche de la buse, puis insérez-la en place. Relâchez la languette pour verrouiller la brosse à rouleau.

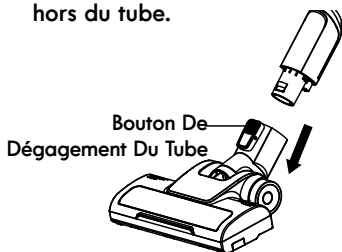


Réinitialisation De La Brosse À Rouleau

En cas de blocage ou de surcharge de la brosse à rouleau, l'appareil coupe automatiquement l'alimentation. Mettez hors tension l'appareil, puis éliminez-en toutes obstructions.

Élimination D'Obstructions Du Tuyau

1. Pour nettoyer le tuyau, appuyez sur le bouton de dégagement du tube situé sur l'électro-brosse, puis tirez l'électro-brosse hors du tube.



CLEANING THE MOTORIZED NOZZLE & BLOCKAGES

2. Éliminez avec soin tous débris ou toutes obstructions de l'intérieur du tuyau. Refixez l'électro-brosse sur le tube.
3. Une fois toutes obstructions éliminées, mettez en marche l'aspirateur afin d'assurer la circulation de l'air à travers le tuyau.



ATTENTION

Ne pas utiliser de ciseaux ou tous autres objets tranchants pour éliminer des obstructions du tuyau.

REMARQUE: Nous vous recommandons de ranger l'aspirateur dans une gamme de températures comprises entre 39,2 °F (4 °C) et 104 °F (40 °C).

DÉPANNAGE

Examinez le tableau pour trouver des solutions aux problèmes mineurs de performance. Tous travaux d'entretien ou de réparation nécessaires, autre que l'entretien décrit dans le présent Guide D'Utilisation Et D'Entretien, tout autre service requis, composez le 1-877-531-7321 (US) / 1-844-608-3081 (CA) pour organiser le service de réparation.



AVERTISSEMENT

Coupez l'alimentation électrique avant d'effectuer l'entretien de l'aspirateur. Le non-respect de cette disposition vous expose à des risques d'électrocution ou de blessures corporelles.

PROBLÈME	CAUSE POSSIBLE	SOLUTION
Impossible de mettre sous tension l'aspirateur.	Piles éventuellement déchargées.	Chargez la batterie conformément aux instructions données en page 10.
	Utilisation d'un chargeur inadapté.	Veillez à utiliser exclusivement le chargeur livré avec votre produit.
	Brosse à rouleau coincée.	Éliminez-en toute obstruction. Suivez les instructions données en page 14.
	L'aspirateur à main ou la batterie est endommagé.	Veillez composer le numéro : 1-877-531-7321 (US) / 1-844-608-3081 (CA) pour obtenir de l'aide.
Le voyant de niveau de charge de la batterie ne s'allume pas lors de la charge de la batterie.	L'adaptateur de charge n'est pas bien branché à la prise de courant.	Assurez-vous que l'adaptateur de charge est correctement branché à la prise de courant et que le connecteur de charge est branché au port de charge de l'aspirateur à main.
	De la poussière s'est accumulée sur le port de charge de l'aspirateur à main.	Nettoyez la poussière accumulée sur le port de charge de l'aspirateur à main.
	Absence de courant au niveau de la prise électrique.	Vérifiez les disjoncteurs.
	La batterie est endommagée.	Veillez composer le numéro : 1-877-531-7321 (US) / 1-844-608-3081 (CA) pour obtenir de l'aide.
	Le voyant de niveau de charge de la batterie est endommagé.	Veillez composer le numéro : 1-877-531-7321 (US) / 1-844-608-3081 (CA) pour obtenir de l'aide.
Le voyant de niveau de charge de la batterie ne s'allume pas lors de l'utilisation de l'aspirateur.	Piles éventuellement déchargées.	Chargez la batterie conformément aux instructions données en page 10.
	Le voyant de niveau de charge de la batterie est endommagé.	Veillez composer le numéro : 1-877-531-7321 (US) / 1-844-608-3081 (CA) pour obtenir de l'aide.
Le voyant de niveau de charge de la batterie clignote en rouge, puis s'éteint lors de l'utilisation de l'aspirateur.	Cela indique la présence d'obstructions sur la brosse à rouleau ou l'absence des filtres, ce qui provoque le déclenchement du dispositif de protection du moteur.	Lorsque l'appareil est mis hors tension, assurez-vous que la brosse à rouleau ou la partie moteur ne sont pas obstrués. Réinstallez les filtres, puis redémarrez l'appareil. En cas de redémarrage impossible de l'appareil, veuillez composer le numéro : 1-877-531-7321 (US) / 1-844-608-3081 (CA) pour obtenir de l'aide.
	Piles éventuellement déchargées.	Chargez la batterie conformément aux instructions données en page 10.
La brosse à rouleau insérée dans l'électro-brosse ne tourne pas.	Brosse à rouleau coincée.	Éliminez-en toute obstruction. Suivez les instructions données en page 14.
	La brosse à rouleau n'est pas installée correctement.	Retirez la brosse à rouleau, puis réinstallez-la en suivant les instructions données en page 14.
	Des débris s'accumulent sur les contacts métalliques reliant le bac à poussière et le corps principal de l'aspirateur à main.	Éliminez les débris, puis réinstallez lesdits contacts métalliques ainsi qu'illustré à la page 13.
	Le bac à poussière n'est pas correctement installé.	Réinstallez correctement le bac à poussière en suivant les instructions données en page 13.
	L'aspirateur à main et le tube ne sont pas raccordés en place.	Réinstallez l'aspirateur à main et le tube correctement en suivant les instructions données en page 8.

DÉPANNAGE

	L'électro-brosse et le tube ne sont pas raccordés en place.	Réinstallez correctement l'électro-brosse et le tube en suivant les instructions données en page 14.
	Le moteur de la buse et la brosse à rouleau ne tournent pas.	Assurez-vous que les raccordements ci-dessus sont correctement effectués. Redémarrez l'appareil. Si le moteur de la buse et la brosse à rouleau ne tournent toujours pas, le moteur de la buse est peut-être endommagé. Veuillez composer le numéro : 1-877-531-7321 (US) / 1-844-608-3081 (CA) pour obtenir de l'aide.
	Le moteur de la buse tourne, mais la brosse à rouleau ne tourne pas.	La courroie est cassée. Veuillez composer le numéro : 1-877-531-7321 (US) / 1-844-608-3081 (CA) pour obtenir de l'aide.
L'aspirateur ne capte rien ou la puissance d'aspiration est faible.	Bac à poussière plein.	Videz le bac à poussière.
	Le filtre doit être nettoyé.	Suivez les instructions de nettoyage des filtres données en page 12-13.
	Le filtre doit être remplacé.	Pour acheter des pièces, veuillez composer le numéro : 1-877-531-7321 (US) / 1-844-608-3081 (CA) pour obtenir de l'aide.
	Piles éventuellement déchargées.	Chargez la batterie conformément aux instructions données en page 10.
	Installation incorrecte du bac à poussière.	Vérifiez l'état du bac à poussières afin de vous assurer qu'il est correctement installé et fermement enclenché.
De la poussière s'échappe de l'aspirateur.	Absence du filtre ou installation incorrecte de celui-ci.	Vérifiez le filtre afin de précéder à une installation correcte. Voir la page 12-13.
	Filtre endommagé et doit être remplacé.	Pour acheter un filtre, veuillez composer le numéro : 1-877-531-7321 (US) / 1-844-608-3081 (CA) pour obtenir de l'aide.
	Le bac à poussière est plein ou mal installé.	Videz le contenant du bac à poussière ou positionnez correctement le bac à poussière, puis enclenchez-le fermement en place.
	Le pré-filtre est manquant ou mal installé.	Réinstallez-le correctement conformément aux instructions données en page 12-13.
L'aspirateur se met hors tension tout seul.	Piles éventuellement déchargées.	Chargez la batterie conformément aux instructions données en page 10.
	La brosse à rouleau insérée dans l'électro-brosse est coincée ou n'est pas installée correctement, ce qui entraîne l'activation du système de protection du moteur.	Lorsque l'appareil est mis hors tension, éliminez-en toutes obstructions ou réinstallez la brosse à rouleau en suivant les instructions données en page 14, puis redémarrez l'appareil.
	Charge excessive pesant sur la brosse de la brosse à rouleau.	Éliminez-en toutes obstructions, puis redémarrez l'appareil.
	L'orifice d'aspiration ou le tuyau est obstrué ou bouché.	Éliminez-en toutes obstructions, puis redémarrez l'appareil.
	La batterie est endommagée.	Veuillez composer le numéro : 1-877-531-7321 (US) / 1-844-608-3081 (CA) pour obtenir de l'aide.

Kenmore^{®/MD}

Vacuum Cleaner Help Line

**Assistance téléphonique
pour les aspirateurs**

US: 1-877-531-7321

CA: 1-844-608-3081

8:00 am – 5:00 pm ET M-F

De 8 h à 17 h HE lun à ven

