

Use & Care Guide  
Manual de Uso y Cuidado  
Manuel d'entretien et d'utilisation

**Kenmore**<sup>®/MD</sup>

*FeatherLite*<sup>™</sup> **Lift-Up**<sup>™</sup>

Bagless Vacuum with  Allergen**Seal**<sup>™</sup>

Aspiradora Sin Bolsa Con  Allergen**Seal**<sup>™</sup>

Aspirateur Sans Sac Avec  Allergen**Seal**<sup>™</sup>

Model/Modelo/Modèle: DU4080

Vacuum Cleaner Help Line:

1-877-531-7321 (US) / 1-844-608-3081 (CA)

8:00am-5:00pm EST, M-F

[www.kenmorefloorcare.com](http://www.kenmorefloorcare.com)



## TABLE OF CONTENTS

Before Using Your New Vacuum Cleaner .....	2
Packing List .....	2
Important Safety Instructions.....	3-4
Vacuum Cleaner Warranty .....	5
Parts and Features.....	6-7
Assembly Instructions .....	8-9
Operating Instructions .....	10-15
Performance/Safety Features .....	16
Vacuum Maintenance and Care.....	17-23
Troubleshooting .....	24-25
Requesting Assistance or Service.....	Back Cover

## BEFORE USING YOUR NEW VACUUM CLEANER

Read this Use & Care Guide. It will help you assemble and operate your new Kenmore vacuum cleaner in the safest and most effective way.

For more information about vacuum cleaner care and operation, call the Vacuum Cleaner Help Line at 1-877-531-7321 (US) / 1-844-608-3081 (CA). You will need the complete model and serial numbers when requesting information.

Your vacuum cleaner's model and serial numbers are located on the Model and Serial Number Plate. Use the space below to record the model number and serial number of your new Kenmore vacuum cleaner.

Model No. \_\_\_\_\_

Serial No. \_\_\_\_\_

Date of Purchase \_\_\_\_\_

Keep this book and your sales check (receipt) in a safe place for future reference.

## PACKING LIST

Your KENMORE BAGLESS UPRIGHT VACUUM CLEANER is packaged with the following parts and components assembled separately in the carton:

- |  |                           |
|--|---------------------------|
| 1 Upright Vacuum Cleaner (with Motorized Nozzle) | 1 3-in-1 Combination Tool |
| 1 Handle   | 1 Upholstery Tool         |
| 1 Flexible Hose                                  | 1 Use & Care Guide        |
| 1 Wand   |                           |

## IMPORTANT SAFETY INSTRUCTIONS

Read all instructions in this guide before assembling or using your vacuum cleaner.

### **WARNING!**

Your safety is important to us. To reduce the risk of fire, electrical shock, injury to persons or damage when using your vacuum cleaner, follow basic safety precautions including the following:

- Use your vacuum cleaner only as described in this Use & Care Guide. Use only with manufacturer's recommended attachments.
- Disconnect electrical supply before servicing or cleaning out the brushroll area. Failure to do so could result in the brushroll unexpectedly starting, causing personal injury from moving parts.
- Do not leave vacuum cleaner when plugged in. Unplug from outlet when not in use and before performing maintenance.
- To reduce the risk of electrical shock - Do not use outdoors or on wet surfaces.
- Do not allow to be used as a toy. Close attention is necessary when used by or near children.
- Do not use with a damaged cord or plug. If vacuum cleaner is not working as it should, has been dropped, damaged, left outdoors, or dropped in water, immediately discontinue use and call 1-877-531-7321 (US) / 1-844-608-3081 (CA) for assistance.
- Do not pull or carry by cord, use cord as a handle, close a door on cord, or pull cord around sharp edges or corners. Do not run vacuum cleaner over cord. Keep cord away from heated surfaces.
- Do not unplug by pulling on cord. To unplug, grasp the plug, not the cord.
- Do not handle plug or vacuum cleaner with wet hands.
- Do not put any objects into openings.
- Do not use with any opening blocked; keep free of dust, lint, hair, and anything that may reduce air flow.
- Keep hair, loose clothing, fingers, and all parts of body away from openings and moving parts.
- Turn off all controls before unplugging.
- Use extra care when cleaning on stairs.
- Do not put on chairs, tables, etc. Keep on floor.
- Do not use vacuum cleaner to pick up flammable or combustible liquids (gasoline, cleaning fluid, perfumes, etc.), or use in areas where they may be present. The fumes from these substances can create a fire hazard or explosion.
- Do not pick up anything that is burning or smoking, such as cigarettes, matches, or hot ashes.
- Do not use vacuum cleaner without dust cup and/or filters in place.
- Always clean the dust cup after vacuuming carpet cleaners or freshener, powders, and fine dust. These products clog the filters, reduce airflow and can cause damage to the vacuum cleaner. Failure to clean the dust cup could cause permanent damage to the vacuum cleaner.
- Do not use the vacuum cleaner to pick up sharp hard objects, small toys, pins, paper clips, etc. They may damage the vacuum cleaner or dust cup.
- You are responsible for making sure that your vacuum cleaner is not used by anyone unable to operate it properly.

## IMPORTANT SAFETY INSTRUCTIONS

# SAVE THESE INSTRUCTIONS

Proper assembly and safe use of your vacuum cleaner are your responsibilities. Your vacuum cleaner is intended for **Household use**. Read this Use & Care Guide carefully for important use and safety information. This guide contains safety statements under warning and caution symbols.

**AllergenSeal™ system lets you know that this vacuum traps 99.97% of dust and particles down to 0.3 microns inside your vacuum, keeping them out of the air you breathe.**

## VACUUM CLEANER WARRANTY

### LIMITED WARRANTY

FOR ONE YEAR from the date of sale this product is warranted against defects in material or workmanship.

WITH PROOF OF SALE a defective product will be replaced free of charge.

The Kenmore brand is used under license. Direct all claims for warranty service to:  
1-877-531-7321 (US) / 1-844-608-3081 (CA).

This warranty does not cover filters or belts, which are expendable parts that can wear out from normal use within the warranty period.

This warranty is void if this product is ever used for other than private household purposes. This warranty gives you specific legal rights, and you may also have other rights which vary from state to state.

Cleva North America, Inc., Greenville SC 29607

## PARTS AND FEATURES

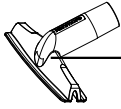
It is important to know your vacuum cleaner's parts and features to assure its proper and safe use. Review these before using your vacuum cleaner.

### REPLACEMENT PARTS

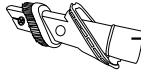
Item	Part No.(US)	Part No.(CA)
Foam Filter	561055105	561055105
Felt Filter	561055106	561055106
HEPA Media Exhaust Filter	571022102	571022102
Wand	571022103	571022103
Handle	571022104	571022104
Flexible Hose	571022105	571022105
3-in-1 Combination Tool	561055134	561055134
Upholstery Tool	561055176	561055176

To order a replacement part, call 1-877-531-7321 (US) / 1-844-608-3081 (CA).

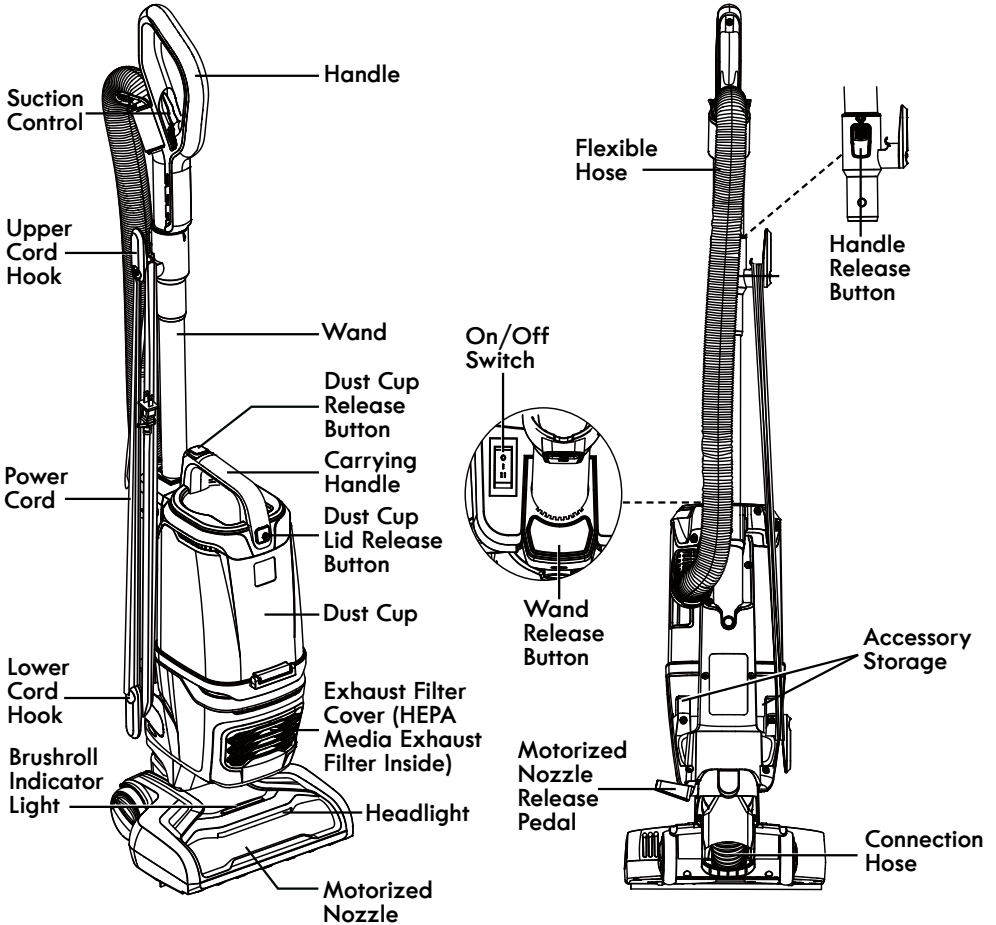
# PARTS AND FEATURES



Upholstery Tool



3-in-1 Combination Tool





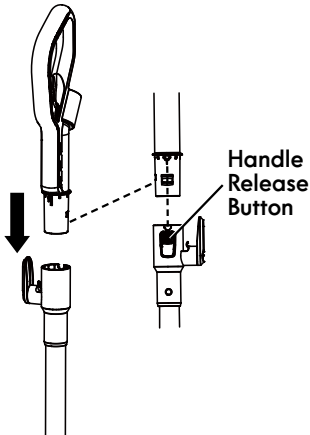
Please pay special attention to these hazard alert boxes, and follow any instructions given. **WARNING** statements alert you to such hazards as fire, electric shock, burns and personal injury. **CAUTION** statements alert you to such hazards as personal injury and/or property damage.

## ASSEMBLY INSTRUCTIONS

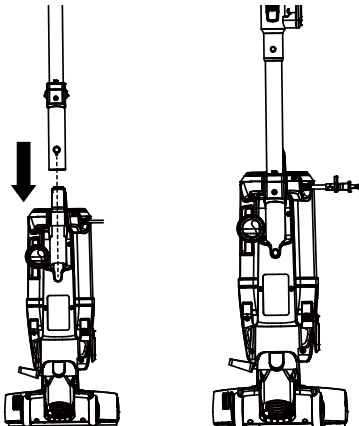
Before assembling the vacuum cleaner, check the **PACKING LIST** (page 2). Use this list to verify that you have received all the components of your new Kenmore Bagless Upright Vacuum Cleaner.

1. Insert the handle into the wand until you hear a 'click'.

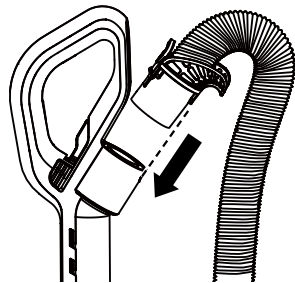
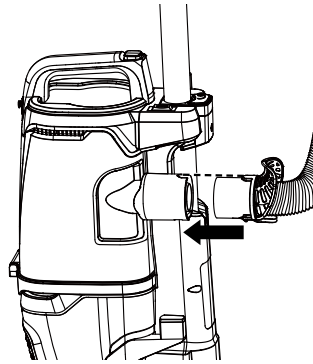
To remove: Press handle release button and pull up on handle.



2. Insert the wand into the main body until you hear a 'click'.



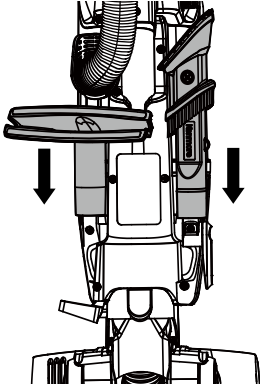
3. Insert one end of the flexible hose into the main body as shown until you hear a 'click'. Insert the other end of the hose into the handle until you hear a 'click'.





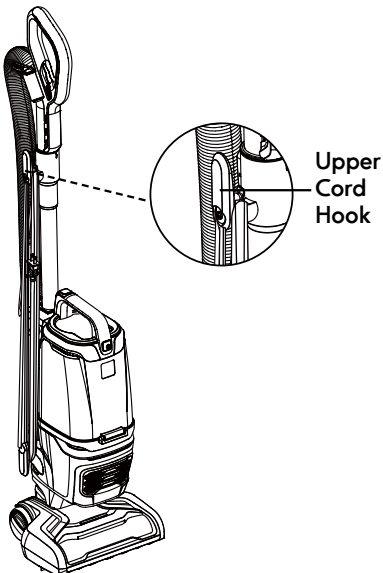
## ASSEMBLY INSTRUCTIONS

4. Insert the combination tool and the upholstery tool onto the accessory storage posts located on the back of the main body.

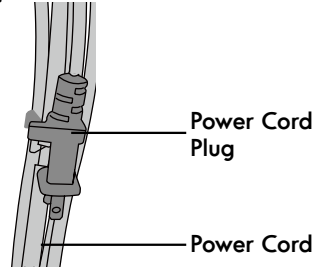


5. Make sure the upper cord hook is in the proper position as shown. Wrap the power cord loosely around the upper and lower cord hooks.

**NOTE:** Make sure to wrap the power cord around the upper cord hook first, and then around the lower cord hook to avoid damaging the power cord.



6. Lock power cord plug onto the power cord.



### WARNING

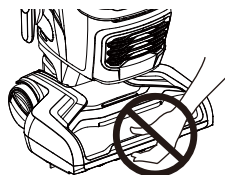
Electrical Shock and Personal Injury Hazard

Wrapping the cord too tightly with excessive stress on the cord may cause cord damage. A damaged cord is an electrical shock hazard and could cause personal injury or damage.

## OPERATING INSTRUCTIONS

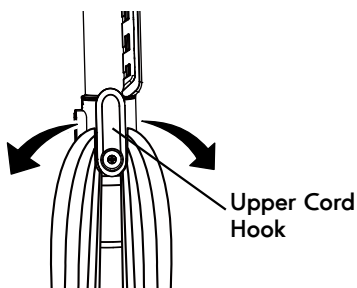
### CAUTION

Moving parts! To reduce the risk of personal injury, **DO NOT** touch the brushroll when vacuum is on. Contacting the brushroll while it is rotating can cut, bruise or cause other injuries. Always turn off after operation. Use caution when operating near children or pets.



## POWER CORD – RELEASE & USE

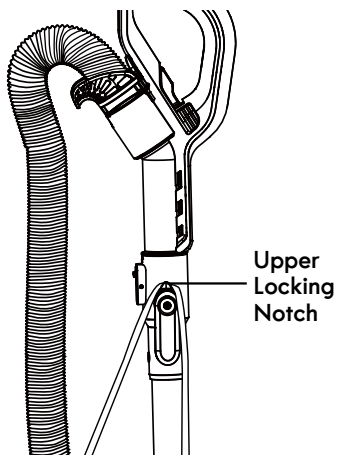
1. Turn the upper cord hook to either side and down to release the power cord.



### WARNING

To reduce the risk of electric shock, this appliance has a polarized plug (one blade is wider than the other). This plug will fit in a polarized outlet only one way. If the plug does not fit fully in the outlet, reverse the plug. If it still does not fit, contact a qualified electrician to install the proper outlet. Do not change the plug in any way.

2. Detach the power cord plug from the power cord.
3. Be sure the power cord is locked into the upper locking notch as shown. This will help manage the power cord when operating the vacuum cleaner.



4. Plug the power cord plug into an outlet located near the floor.

### WARNING

**Personal Injury and Product Damage Hazard**

- When any abnormality/failure occurs, stop using the product immediately and disconnect the power plug.
- **DO NOT** use outlets above counters. Damage from cord to items in surrounding area could occur.

5. Press the On/Off switch to turn the vacuum cleaner on.

## POWER CORD - RELEASE & USE

6. Once you have completed vacuuming, press the On/Off switch; unplug the power cord plug from the outlet.
7. To restore power cord after use, turn upper cord hook to the upright position. Then wrap cord loosely around cord hooks.



### WARNING

Electrical Shock and Personal Injury Hazard

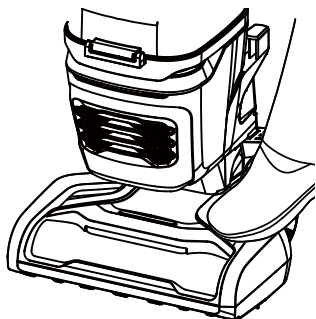
Wrapping the cord too tightly puts stress on the cord and can cause cord damage. A damaged cord is an electrical shock hazard and could cause personal injury or damage.

## OPERATION MODES

### UPRIGHT MODE

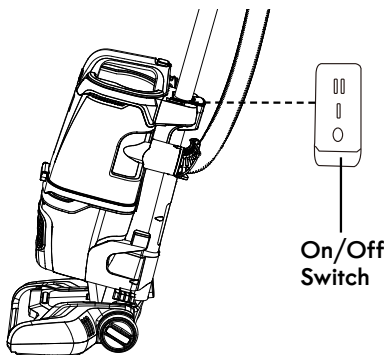
**NOTE:** Make sure the vacuum cleaner is completely assembled and the dust cup is empty before using. Do not operate vacuum cleaner without filters in place.

1. Release the handle by placing foot on the nozzle and pull back to change handle position.



2. Turn on the vacuum cleaner by pressing the On/Off switch to the "I" position for cleaning bare floors and small area rugs.

**NOTE:** The brushroll does not rotate when the vacuum cleaner is in the "I" position.



3. Press the switch to the "II" position for cleaning carpets or rugs.

**NOTE:** The brushroll rotates when the vacuum cleaner is in the "II" position.

## OPERATION MODES



### CAUTION

Do not allow the vacuum cleaner to remain in one spot for any length of time when the brushroll is turning. Damage to carpet may occur.

- Once the vacuum is on, operate the vacuum cleaner by tilting the wand back towards you and the nozzle is flush with floor surface.

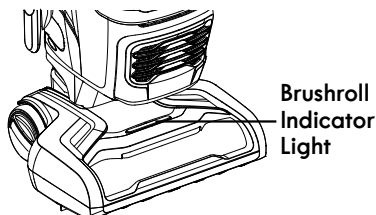
**NOTE:** Brushroll does not rotate in either mode when handle is in fully upright position.

- Once you have completed vacuuming, switch to the "O" position and unplug the power cord from the power outlet.

**NOTE:** Select the right mode when using this vacuum cleaner. Do not press the switch to the "I" position when cleaning the bare floor, otherwise it will damage the floor.

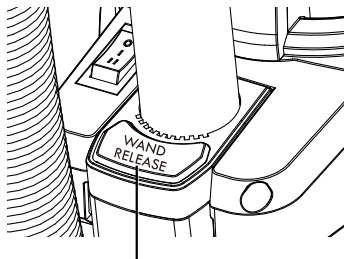
### BRUSHROLL INDICATOR LIGHT

Light Color	Status
Green, Continuous	The brushroll is spinning and working as it should.
Red, Continuous	There is a jam in the brushroll area. Turn off and unplug the vacuum, and remove any blockages in the nozzle.
No Light	The brushroll is off.



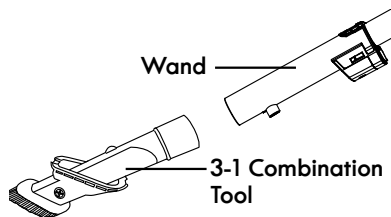
### ABOVE FLOOR MODE

- Place the vacuum cleaner in the upright locked position.
- Press the wand release button and lift up the wand for above floor cleaning.



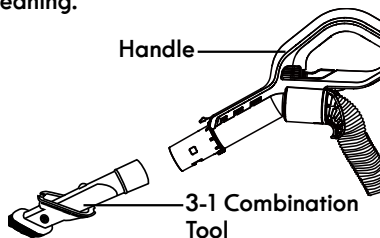
Wand Release Button

- Choose the desired attachment and insert it into the wand.



- Turn on the vacuum cleaner by pressing the switch to the "I" position.
- Once you have completed vacuuming, switch to the "O" position and unplug the power cord from the power outlet.

**NOTE:** The attachment also can insert directly into the handle for above floor cleaning.



## OPERATION MODES



### CAUTION

When using attachments, be careful not to over extend the flexible hose when reaching. Trying to reach beyond the hose stretch capability could cause the vacuum cleaner to tip over.

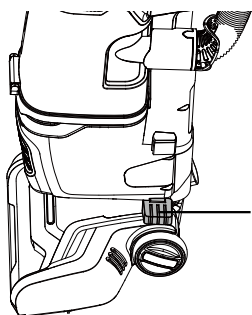


### CAUTION

DO NOT pull the vacuum cleaner around the room by the hose. Property damage or personal injury could result.

### LIFT-UP MODE

1. Place the vacuum cleaner in the upright locked position.
2. Press motorized nozzle release pedal with foot to detach and raise vacuum body from motorized nozzle for portable carry.



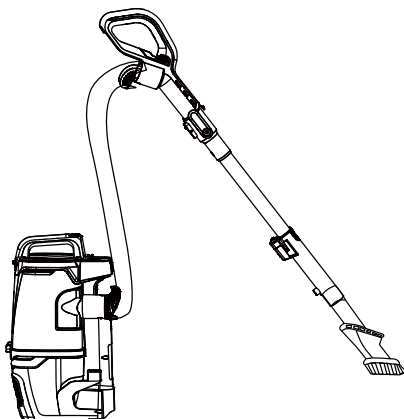
Motorized  
Nozzle  
Release  
Pedal

3. Press the wand release button and lift up the wand for cleaning stairs or other hard to reach places.

**NOTE:** Make sure the power cord is released from the cord hooks before lifting up the wand.

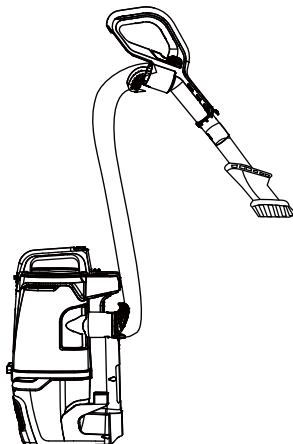


4. Choose the desired attachment and insert it into the wand.



5. Turn on the vacuum cleaner by pressing the switch to the "I" position.
6. Once you have completed vacuuming, switch to the "O" position and unplug the power cord from the power outlet.

**NOTE:** The attachment also can insert directly into the handle.



## OPERATION MODES



### CAUTION

When using attachments, be careful not to over extend the stretch hose when reaching. Trying to reach beyond the hose stretch capability could cause the vacuum cleaner to tip over.

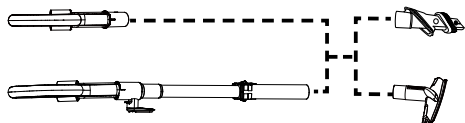


### CAUTION

DO NOT pull the vacuum cleaner around the room by the hose. Property damage or personal injury could result.

## ATTACHMENTS

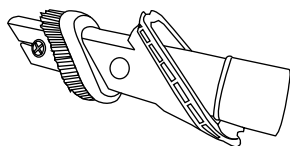
All included attachment tools can be inserted into either the handle or the wand.



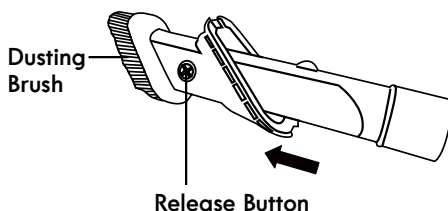
### 3-IN-1 COMBINATION TOOL

The 3-in-1 combination tool can be attached to the end of the handle and the wand. Slide the collar of the tool over the open end of the handle or wand.

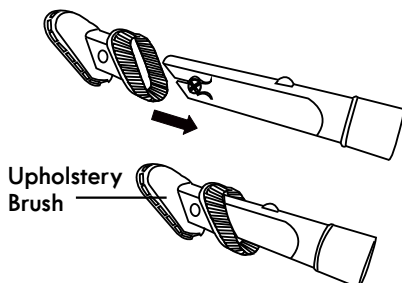
Use the 3-in-1 combination tool in crevice tool mode for cleaning in tight spaces such as furniture, between cushions, and stairs. See ATTACHMENT USE TABLE (page 15).



Set the combination tool in dusting brush mode by pressing the release button and sliding the dusting brush side of the brush tool to the end of the combination tool. Use in dusting brush mode for cleaning loose surfaces such as drapes. See ATTACHMENT USE TABLE (page 15).



Press the release button to remove the brush tool. Set the combination tool in upholstery brush mode as shown. Use in upholstery brush mode for cleaning fabric surfaces such as fabric sofa. See ATTACHMENT USE TABLE (page 15).



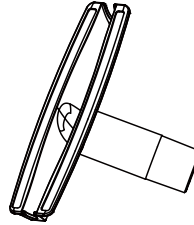
## ATTACHMENTS

To return the combination tool to crevice tool mode, press the release button and slide the brush tool down the combination tool.

### UPHOLSTERY TOOL

The upholstery tool can be attached to the end of the handle and the wand. Slide the collar of the tool into the open end of the handle or wand.





Use the upholstery tool for cleaning fabric surfaces such as fabric sofa and bedsheets. See ATTACHMENT USE TABLE (page 15).



### CAUTION

Use attachments when the vacuum cleaner is upright.

## ATTACHMENT USE TABLE

ATTACHMENT	CLEANING AREA						✓ = Applicable
	Furniture*	Between Cushions*	Drapes*	Stairs		Baseboards	
				Carpet	Bare		
CREVICE TOOL 	✓	✓		✓	✓	✓	
DUSTING BRUSH 	✓		✓	✓	✓	✓	
UPHOLSTERY BRUSH 	✓		✓				
UPHOLSTERY TOOL 	✓		✓				

\*Always clean attachments before using on fabrics.

## PERFORMANCE/SAFETY FEATURES

### THERMAL PROTECTOR

This vacuum cleaner has a thermal protector which automatically trips to protect the vacuum cleaner suction motor. If a clog prevents the normal flow of air to the motor, the thermal protector turns the motor off automatically. This allows the motor to cool in order to prevent possible damage to the vacuum cleaner.

**To reset thermal protector:** Turn the vacuum cleaner off and unplug the power cord from the outlet to allow the vacuum cleaner to cool and the thermal protectors to reset.



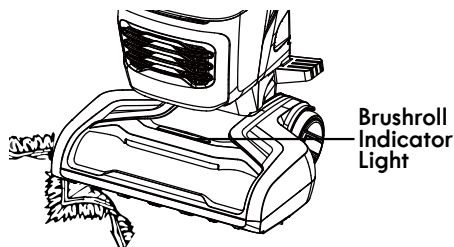
### CAUTION

Always return the vacuum cleaner to the upright position before using the hose and attachments. Failure to do so may result in overheating of the brushroll motor and can cause the thermal protectors to trip.

Check for and remove clogs, and empty the dust cup if necessary. Also check and clean any clogged filters. Wait approximately 50 minutes before restarting vacuum cleaner.

### BRUSHROLL RESET

The brushroll has built-in protection against motor damage should the brushroll jam. If the brushroll slows down or stops, the brushroll overload protector shuts off the brushroll motor and the brushroll indicator light emits a red light. The vacuum cleaner suction motor will continue to run.



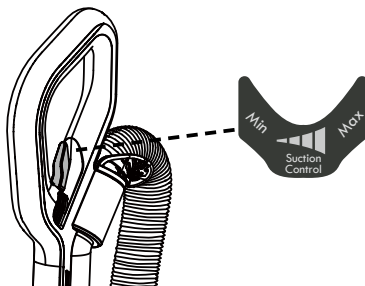
**To correct problem:** Turn off and unplug vacuum cleaner, remove obstruction, then turn on the vacuum cleaner again. The brushroll indicator light will be off.

**NOTE:** Once the brushroll motor shuts down, clear jam from brushroll and then restart the vacuum cleaner. If the problem persists, contact the vacuum cleaner help line for assistance.

### SUCTION CONTROL

To assist with push/pull force of the vacuum on surfaces like thick carpet, the suction control valve can be opened to help reduce suction. Note that for best cleaning results, the suction control valve must be fully closed.

- Slide to "Min" to open the suction control and decrease suction. Opening control decreases suction for draperies and lightweight rugs.
- Slide to "Max" to close the suction control and increase suction. Closing control increases suction for upholstery and carpets.





## VACUUM MAINTENANCE AND CARE

Always follow all safety precautions when performing maintenance to the vacuum cleaner.



### WARNING

#### Electrical Shock and Personal Injury Hazard

Disconnect electrical supply before servicing or cleaning the vacuum cleaner. Failure to do so could result in electrical shock or personal injury from vacuum cleaner suddenly starting.

## CLEANING EXTERIOR AND ATTACHMENTS

1. Turn off and unplug vacuum cleaner. DO NOT drip water on vacuum cleaner.
2. To clean exterior, or to reduce static electricity and dust build-up, wipe outer surface with a clean, soft cloth that has been dipped in a solution of mild liquid detergent and water, then wrung dry. Wipe dry after cleaning.

**NOTE:** Wash attachments in warm soapy water, rinse and air dry. Do not clean in dishwasher.



### CAUTION

Do not use attachments if they are wet. Attachments used in dirty areas, such as under a refrigerator, should not be used on other surfaces until they are washed. They could leave marks.

## VACUUM CLEANER STORAGE



### WARNING

#### Electrical Shock and Personal Injury Hazard

Wrapping the cord too tightly puts stress on the cord and can cause cord damage. A damaged cord is an electrical shock hazard and could cause personal injury or damage.

1. Place attachments in storage position if necessary (see page 9).
2. Gather the cord and wrap it loosely around the upper and lower cord hooks. Lock plug retainer onto the power cord.
3. Store the vacuum cleaner in a dry, indoor area, on the floor with the handle locked in the upright position.

## EMPTYING DUST CUP

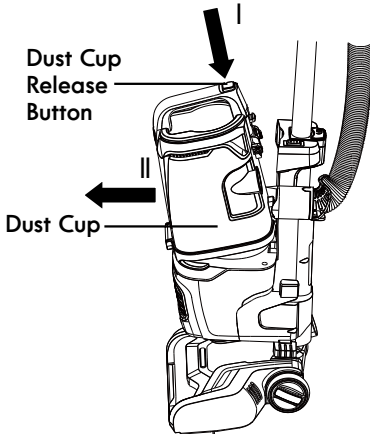


### WARNING

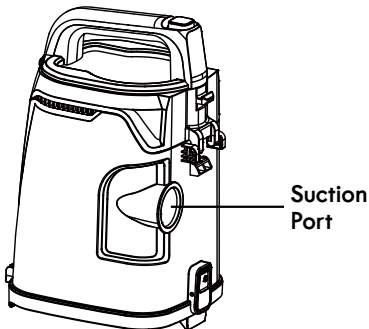
Always unplug power cord from electrical outlet before performing any service on vacuum cleaner.

**NOTE:** For best performance, empty dust cup after every use. Never operate vacuum cleaner without dust cup and filters in place.

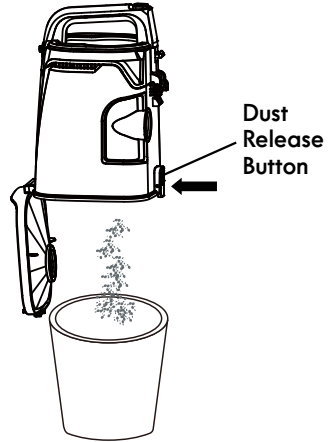
1. Press the dust cup release button to remove the dust cup from the main body.



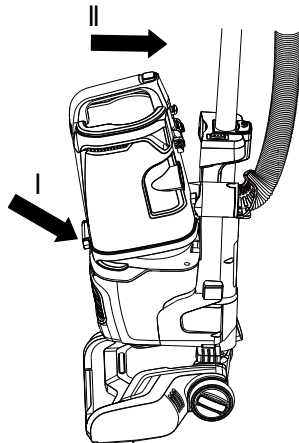
2. Remove any clogs that might be located in the suction port.



3. Position dust cup area of vacuum over a waste receptacle. Press down on the dust release button to open dust cup lid and allow contents to drop into waste receptacle.



4. Shake the dust cup to release any debris that might hang in the pre-filter.
5. Reinstall and insert the dust cup into the slots on the bottom of the main body, then press the dust cup into locked slot and click into place.



## PRE-FILTER CLEANING

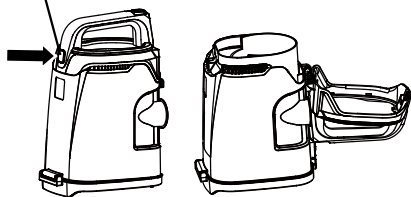
The pre-filter is located inside the dust cup. Clean the pre-filter as needed to optimize suction power.

1. Remove the dust cup as outlined in the **EMPTYING DUST CUP** (page 18).

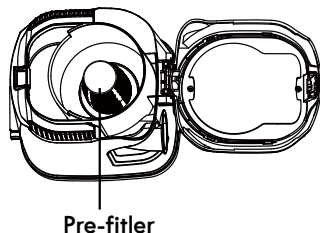
**NOTE:** Make sure dust cup is free of debris before opening.

2. Press the dust cup lid release button, and open the lid.

Dust Cup Lid  
Release Button



3. Clean pre-filter by gently tapping over a trash container. Tap on several sides to ensure best cleaning.



4. Reinstall the dust cup into the main body. See installation instructions in the **EMPTYING DUST CUP** (page 18).

## FOAM AND FELT FILTERS CLEANING

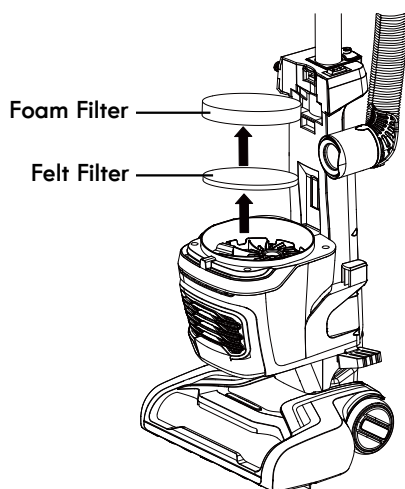
It is recommended to clean the foam and felt filters with cold water every three months.

**NOTE:** When the cleaning of filters no longer restores vacuum cleaner suction to full power, or the filters are worn or broken, replace the filters. To purchase filters, call 1-877-531-7321 (US) / 1-844-608-3081 (CA).

Regularly clean and replace the filters to keep the vacuum's suction power optimal.

1. Remove the dust cup as outlined in the **EMPTYING DUST CUP** (page 18).

2. Remove the foam and felt filters.



## FOAM AND FELT FILTERS CLEANING

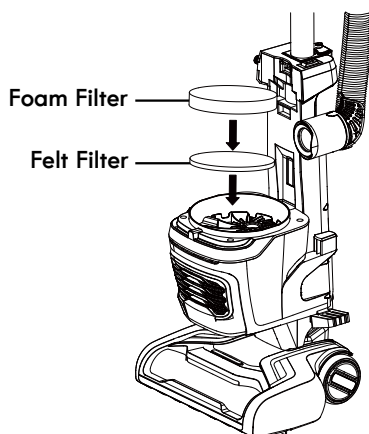
3. Wash with cold water only. DO NOT use detergent or soap. Squeeze by hand and allow to air dry. Allow all filters to dry 24 hours before putting back into vacuum cleaner.

**NOTE:** DO NOT operate without foam and felt filters installed.

DO NOT wash in the dishwasher.

DO NOT install foam and felt filters if damp.

4. Replace foam and felt filters into the vacuum cleaner.



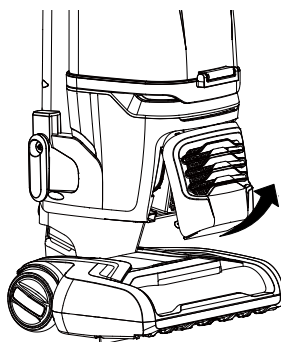
5. Reinstall the dust cup. See EMPTYING DUST CUP (page 18).

## HEPA MEDIA EXHAUST FILTER CLEANING

It is recommended to clean the HEPA media exhaust filter with cold water every year.

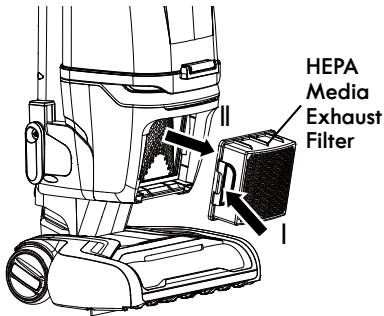
**NOTE:** When the cleaning of the filter no longer restores vacuum cleaner suction to full power, or the filter is worn or broken, replace the exhaust filter. To purchase the exhaust filter, call 1-877-531-7321 (US) / 1-844-608-3081 (CA).

1. Remove exhaust filter cover by pulling the tab outward at the bottom of the cover.



## HEPA MEDIA EXHAUST FILTER CLEANING

2. Press the release tab and remove the HEPA media exhaust filter from vacuum cleaner.

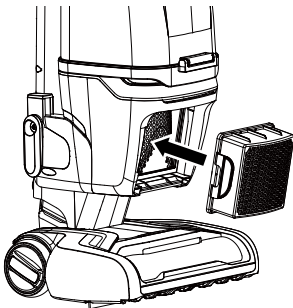


3. Wash with cold water only. DO NOT use detergent or soap. Allow to air dry. Allow parts to dry 24 hours before putting back into vacuum cleaner.

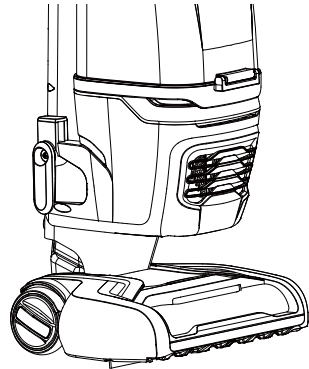
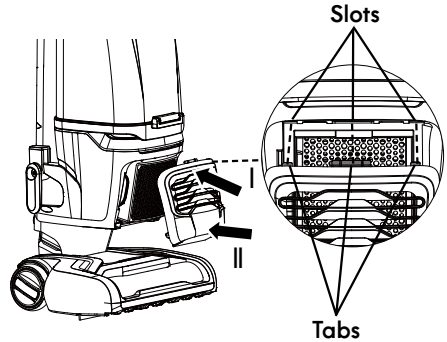
**NOTE:** DO NOT operate without exhaust filter installed.

DO NOT wash in the dishwasher.  
DO NOT install the filter if damp.

4. Reinstall the HEPA media exhaust filter into the vacuum cleaner until a click is heard.



5. Insert the exhaust filter cover tabs into the upper slots and lock the exhaust filter cover into place by pressing the lower part of the cover until a click is heard.



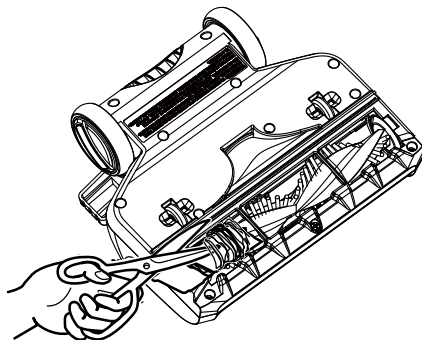
**NOTE:** Make sure the exhaust filter cover is properly installed.

## BRUSHROLL CLEANING

### **WARNING**

Always unplug the power cord from an electrical outlet before performing maintenance to the vacuum cleaner.

To maintain efficient cleaning, the brushroll must be kept free of carpet fiber, string, or hair build-up. If the brushroll is jammed, unplug and turn vacuum cleaner over and check brushroll for fiber and hair build-up. Use scissors to remove any build-up entangled around the brushroll. Cleaning the brushroll periodically is recommended for best performance.



## REMOVING CLOGS

### **WARNING**

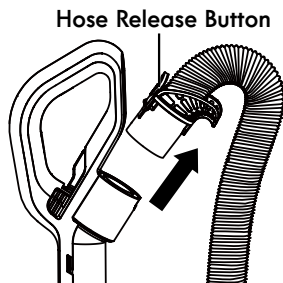
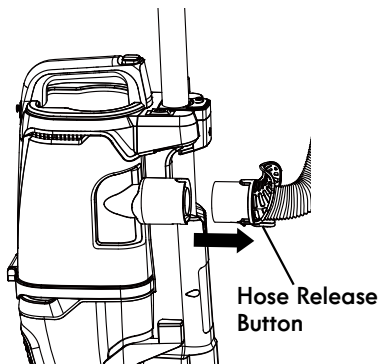
Disconnect electrical supply before removing clogs. Failure to do so could result in electrical shock or personal injury.

### CHECKING FLEXIBLE HOSE & WAND FOR CLOGS

If there is noticeable abnormal noise when using the vacuum or the suction power suddenly drops, it is necessary to check the air path for clogs.

Frequently check air path to make sure it is free of obstructions.

1. Remove the flexible hose ends from the main body and the handle by pressing the hose release buttons.



## REMOVING CLOGS

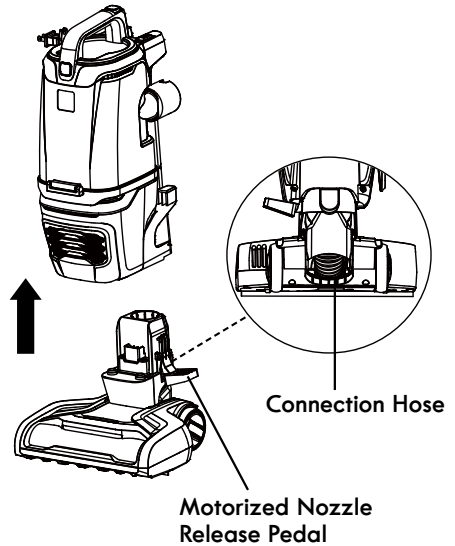
2. Release the wand from the body and make sure that attachments are removed from the wand.



3. Check and remove any clogs in the flexible hose and the wand.
4. Reinstall the wand and the flexible hose to the vacuum cleaner. See ASSEMBLY (page 8).

## CHECKING CONNECTION HOSE FOR CLOGS

1. To separate the body from the nozzle, press the motorized nozzle release pedal with foot and lift up the body.
2. Check and remove any clogs in the connection hose.
3. Reattach the nozzle onto the vacuum body.



## TROUBLESHOOTING

Review this table to find do-it-yourself solutions for minor performance problems. Any service needed, other than maintenance described in this Use & Care Guide, should be performed by a qualified service agent.



### **WARNING**

**Disconnect electrical supply before performing maintenance to the vacuum cleaner. Failure to do so could result in electrical shock or personal injury.**

<b>PROBLEM</b>	<b>POSSIBLE CAUSE</b>	<b>SOLUTION</b>
Vacuum cleaner won't run.	Unplugged at wall outlet.	Plug in firmly, press the On/Off switch to "I" or "II" position.
	The On/Off switch is not pressed to start the vacuum cleaner.	Press the On/Off switch to "I" or "II" position.
	Defective wall outlet.	Check with a good appliance or lamp. Be sure the power cord plug is fully plugged into a good wall outlet.
	The vacuum body is overheated.	Unplug the power cord and let the vacuum cool down for 50 minutes.
	The motor is damaged.	Call 1-877-531-7321 (US) / 1-844-608-3081 (CA) for assistance.
Poor job of dirt pick-up.	The hose and attachments are not installed correctly.	Check the hose and attachments for correct installation and ensure they are snapped firmly in place.
	Dust cup is not installed correctly.	Check dust cup for correct installation and ensure it is snapped firmly in place.
	Full or clogged dust cup.	Empty the dust cup (page 18).
	There is a clog in the flexible hose or connection hose of the vacuum cleaner.	Check and remove all clogs. Follow instructions on page 22-23.
	Suction control is in open position.	Adjust the suction control to increase suction. Follow instructions on page 16.
	The foam filter, felt filter or HEPA media exhaust filter needs to be cleaned or replaced.	Clean or replace the foam filter, felt filter or HEPA media exhaust filter. Follow the foam filter and felt filter cleaning or HEPA media exhaust filter cleaning instructions on page 19-21.
	The flexible hose is worn.	Replace the hose assembly. To purchase parts, call 1-877-531-7321 (US) / 1-844-608-3081 (CA).
	The connection hose is worn.	Call 1-877-531-7321 (US) / 1-844-608-3081 (CA) for assistance.
The brushroll is worn.	Call 1-877-531-7321 (US) / 1-844-608-3081 (CA) for assistance.	



## TROUBLESHOOTING

Dust escapes from vacuum.	Dust cup is not installed correctly.	Position dust cup correctly and snap firmly in place.
	HEPA media exhaust filter is installed incorrectly.	Check exhaust filter for correct installation. Follow instructions on page 20-21.
	Foam filter, felt filter or HEPA media exhaust filter is worn or broken.	Check and replace the foam filter, felt filter or the HEPA media exhaust filter. To purchase parts, call 1-877-531-7321 (US) / 1-844-608-3081 (CA).
Brushroll does not turn.	Handle is in fully upright position.	Move handle from the fully upright position.
	Select the wrong mode.	Press the switch to the "II" position to start the brushroll.
	Brushroll is jammed.	Remove obstruction. Follow instructions on page 22.
	Brushroll is not installed correctly.	Call 1-877-531-7321 (US) / 1-844-608-3081 (CA) for assistance.
	The belt is not routed correctly.	Call 1-877-531-7321 (US) / 1-844-608-3081 (CA) for assistance.
	The belt is worn or broken.	Call 1-877-531-7321 (US) / 1-844-608-3081 (CA) for assistance.
	Fault in PCB section of the motorized nozzle.	Call 1-877-531-7321 (US) / 1-844-608-3081 (CA) for assistance.
Airflow restricted with attachments in use; sound changes.	Exhaust filter cover is installed incorrectly.	Position exhaust filter cover correctly and snap firmly into place. Follow instructions on page 20-21.
	Air path is blocked.	Check for and remove any clogs and clean the air path. Follow instructions on page 22-23.
	Attachments in use restrict air flow.	Check attachments for fuzz, lint, pet hair or other debris.
Vacuum turns off on its own.	The power cord plug is loose from the outlet when using the vacuum.	Reinsert the power cord plug fully into the outlet. Avoid pulling or dragging the power cord when using the vacuum.
	Thermal protector is activated.	Turn the vacuum cleaner off and unplug it. Check the air path and dust cup. Allow the vacuum cleaner to cool for a minimum of 50 minutes. Plug in vacuum and turn it on.
	The motor is damaged.	Call 1-877-531-7321 (US) / 1-844-608-3081 (CA) for assistance.
Brushroll indicator light emits red.	There is a jam in the brushroll area.	Turn off and unplug the vacuum. Remove any blockages in the brushroll. See page 22.
	The brushroll is worn or broken.	Call 1-877-531-7321 (US) / 1-844-608-3081 (CA) for assistance.

## TABLA DE CONTENIDOS

Antes de usar su nueva aspiradora.....	1
Lista de piezas incluidas .....	1
Instrucciones de seguridad importantes.....	2-3
Garantía de la aspiradora .....	4
Piezas y características .....	5-6
Instrucciones de ensamblaje.....	7-8
Instrucciones de uso .....	9-14
Desempeño/características de seguridad.....	15
Mantenimiento y cuidado de la aspiradora.....	16-22
Resolución de problemas.....	23-25
Solicitud de ayuda o reparaciones.....	Tapa posterior

## ANTES DE USAR SU NUEVA ASPIRADORA

Lea esta guía de uso y cuidado. Lo ayudará a ensamblar y operar su nueva aspiradora Kenmore de la manera más segura y efectiva posible.

Por más información sobre el cuidado y operación de la aspiradora, llame a la Línea de ayuda para aspiradoras al 1-877-531-7321 (EE. UU.) / 1-844-608-3081 (Canadá). Necesitará el modelo completo y los números de serie al solicitar información.

El modelo de su aspiradora y los números de serie se ubican en la placa de modelo y número de serie. Use el siguiente espacio para registrar el número de modelo y el número de serie de su nueva aspiradora Kenmore.

N° de modelo \_\_\_\_\_

N° de serie \_\_\_\_\_

Fecha de compra \_\_\_\_\_

Guarde este libro y su boleta (recibo) de venta en un lugar seguro para usarlos como referencia a futuro.

## LISTA DE PIEZAS INCLUIDAS

Su ASPIRADORA KENMORE posee las siguientes piezas y componentes ensamblados por separado en la caja:

- |   |                                |
|---|--------------------------------|
| 1 Aspiradora vertical (con boquilla motorizada) | 1 Herramienta combinada 3 en 1 |
| 1 Empuñadura                                    | 1 Herramienta para tapizados   |
| 1 Manguera flexible                             | 1 Guía de uso y cuidado        |
| 1 Vara  |                                |

## INSTRUCCIONES DE SEGURIDAD IMPORTANTES

Lea todas las instrucciones de esta guía antes de ensamblar o usar su aspiradora.

### ADVERTENCIA

Su seguridad es importante para nosotros. Para reducir el riesgo de incendio, descarga eléctrica, lesiones a personas o daños al utilizar su aspiradora, siga las precauciones de seguridad básicas, incluidas las siguientes:

- Utilice solo su aspiradora solo como se indica en esta guía de uso y cuidado. Utilice solo los accesorios recomendados por el fabricante.
- Desconecte el suministro de alimentación antes de reparar o limpiar la zona de cepillado. No hacerlo podría provocar que el cepillo se encienda inesperadamente, provocando lesiones personales mediante las piezas móviles.
- No deje la aspiradora sin supervisión en caso de que esté conectada. Desconéctela del tomacorriente cuando no esté en uso y antes de realizarle mantenimiento.
- Para reducir el riesgo de descarga eléctrica, no utilice el producto en exteriores ni sobre superficies mojadas.
- No permita que se utilice como un juguete. Se debe prestar estricta atención cuando el aparato lo usen niños o cuando se use cerca de ellos.
- No utilizar si la clavija o cable están dañados. Si la aspiradora no funciona como debería, o si se ha caído, dañado, dejado en exteriores o caído al agua, deje de usarla inmediatamente y llame al 1-877-531-7321 (Estados Unidos) / 1-844-608-3081 (Canadá) para obtener ayuda.
- No tire o transporte el aparato utilizando el cable como a modo de empuñadura, no apriete el cable al cerrar puertas ni pase el cable cerca de bordes afilados o esquinas. No use la aspiradora sobre su cable. Mantenga el cable alejado de superficies calientes.
- No desconecte tirando del cable. Para desconectarlo tire de la clavija, no del cable.
- No manipule la clavija o la aspiradora con las manos mojadas.
- No ponga objetos sobre las aberturas.
- No lo utilice si las aberturas están bloqueadas; tenga cuidado que no haya polvo, cabellos, pelusas en las aberturas o cualquier cosa que pueda reducir el flujo de aire.
- Mantenga su cabello, ropas holgadas, dedos y partes de su cuerpo lejos de las aberturas y piezas móviles del producto.
- Apague todos los controles antes de desconectar el dispositivo.
- Tenga precaución adicional al limpiar en escaleras.
- No la ponga sobre sillas, mesas, etc. Manténgala sobre el piso.
- No utilice la aspiradora para aspirar líquidos inflamables o combustibles (gasolina, líquidos de limpieza, perfumes, etc.) ni tampoco la utilice en lugares donde tales líquidos puedan estar presentes. Los gases de esas sustancias pueden crear un peligro de incendio o explosión.
- No aspire elementos que estén en llamas o humeando, tales como cigarrillos, fósforos o cenizas calientes.
- No use la aspiradora sin el contenedor de polvo ni filtros instalados.

## INSTRUCCIONES DE SEGURIDAD IMPORTANTES

- Limpie siempre el contenedor de polvo después de aspirar limpiadores o aromatizantes de alfombras, polvo y polvillo fino. Estos productos se pegan a los filtros, reducen el caudal de aire y pueden provocar daños a la aspiradora. No limpiar el contenedor de polvo podría causar daños permanentes a la aspiradora.
- No use la aspiradora para aspirar objetos afilados, juguetes pequeños, sujetapapeles, etc., ya que podría dañar la aspiradora o el contenedor de polvo.
- Usted es responsable de garantizar que nadie que no sea capaz de operar su aspiradora adecuadamente lo haga.

## GUARDE ESTAS INSTRUCCIONES

El correcto ensamblaje y el uso seguro de su aspiradora son su responsabilidad. Su aspiradora está diseñada solo para **uso doméstico**. Lea esta guía de uso y cuidado para obtener información importante sobre uso y seguridad. Esta guía contiene afirmaciones de seguridad bajo símbolos de advertencia y precaución.

**El sistema AllergenSeal™ le permite estar seguro de que esta aspiradora atrapa al 99.97 % de todo el polvo y partículas de hasta 0.3 micrones en su aspiradora, manteniéndolas fuera del aire que respira.**

## **GARANTÍA DE LA ASPIRADORA**

### **GARANTÍA LIMITADA**

DURANTE UN AÑO a contar de la fecha de venta, este producto está garantizado contra defectos en sus materiales o fabricación.

Un producto defectuoso puede reemplazarse por uno nuevo, de manera gratuita, considerando que se presente una PRUEBA DE VENTA.

La marca Kenmore se utiliza bajo licencia. Dirija sus reclamaciones de garantía a: 1-877-531-7321 (Estados Unidos) / 1-844-608-3081 (Canadá).

Esta garantía no cubre los filtros ni correas, las cuales son piezas desechables que pueden desgastarse debido al uso normal dentro del periodo de garantía.

Esta garantía queda nula si el producto llega a usarse para algún propósito que no sea el uso privado doméstico. Esta garantía le entrega derechos legales específicos que pueden variar según su estado (podría tener otros derechos adicionales).

Cleva North America, Inc., Greenville SC 29607

## PIEZAS Y CARACTERÍSTICAS

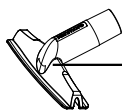
Es importante conocer las partes y características de su aspiradora para garantizar su uso adecuado y seguro. Revise estas indicaciones antes de usar su aspiradora.

### PIEZAS DE REPUESTO

Artículo	N° de parte (Estados Unidos)	N° de parte (Canadá)
Filtro de espuma	561055105	561055105
Filtro de fieltro	561055106	561055106
Filtro de escape de medios HEPA	571022102	571022102
Vara	571022103	571022103
Empuñadura	571022104	571022104
Manguera flexible	571022105	571022105
Herramienta combinada 3 en 1	561055134	561055134
Herramienta para tapizados	561055176	561055176

Para solicitar una pieza de repuesto, llame al 1-877-531-7321 (EE. UU.) / 1-844-608-3081 (Canadá).

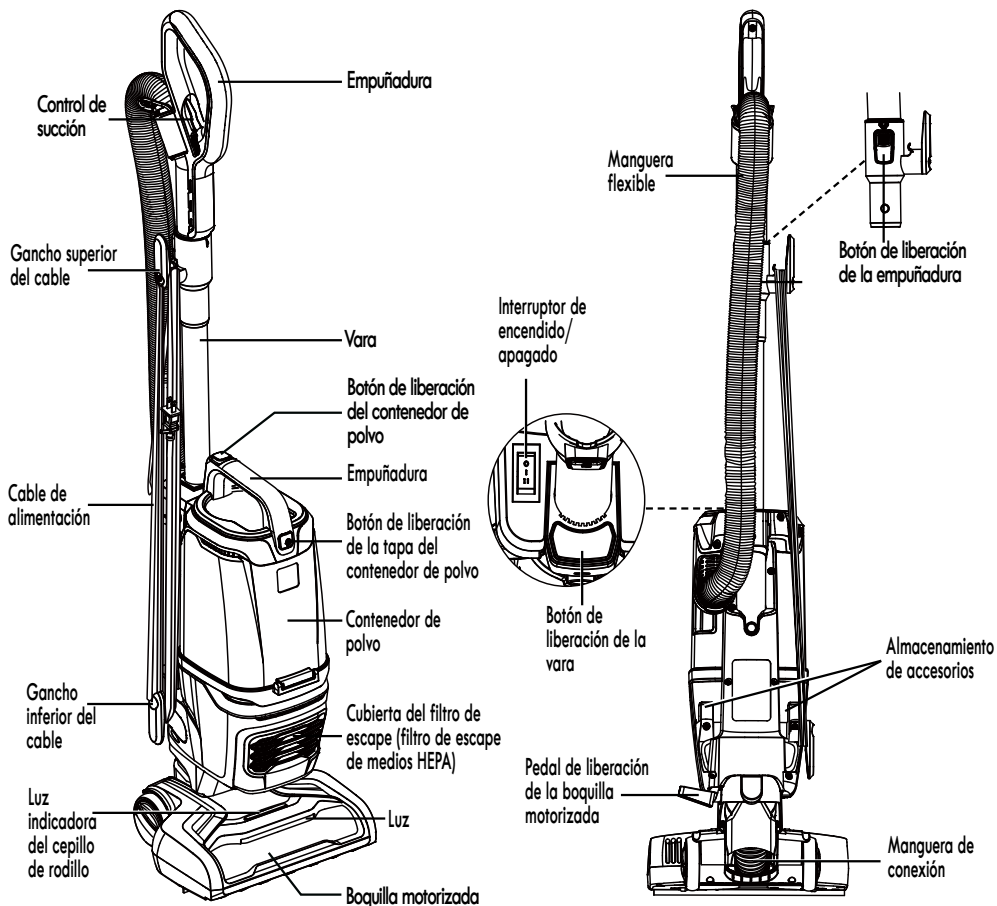
# PIEZAS Y CARACTERÍSTICAS



Herramienta para tapizados



Herramienta combinada 3 en 1





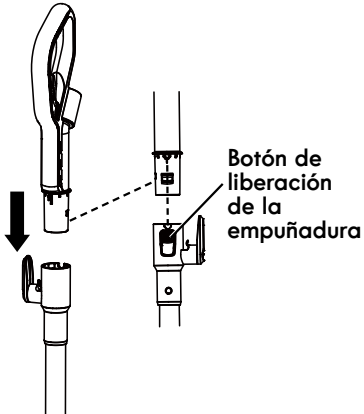
Preste especial atención a estos cuadros de alerta de peligro y siga todas las instrucciones indicadas. Las declaraciones de **ADVERTENCIA** lo alertan sobre riesgos tales como incendio, descarga eléctrica, quemaduras y lesiones personales. Las declaraciones de **PRECAUCIÓN** lo alertan sobre riesgos tales como lesiones personales o daño a la propiedad.

## INSTRUCCIONES DE ENSAMBLAJE

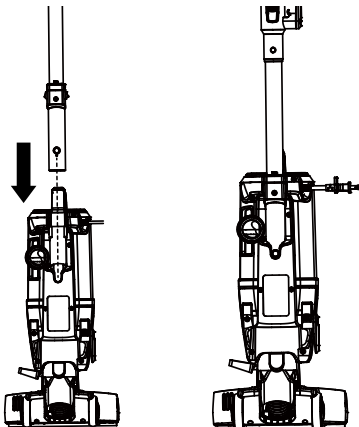
Antes de ensamblar la aspiradora, revise la Antes de ensamblar la aspiradora, revise la (página 1). Utilice esta lista para comprobar que ha recibido todos los componentes de su nueva aspiradora vertical sin bolsa Kenmore.

1. Inserte la empuñadura en la vara hasta escuchar un "clic".

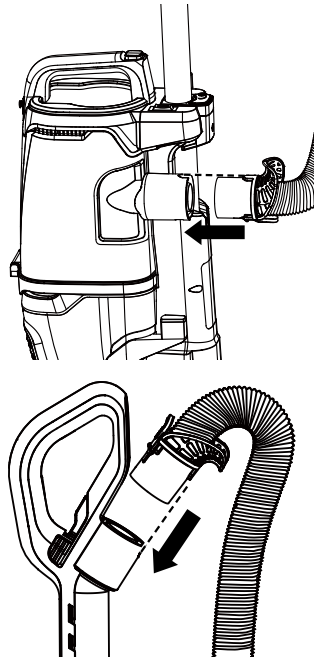
Para sacar: Presione el botón de liberación de la empuñadura y tire la empuñadura hacia arriba.



2. Inserte la vara en la unidad principal hasta escuchar un sonido de "clic".



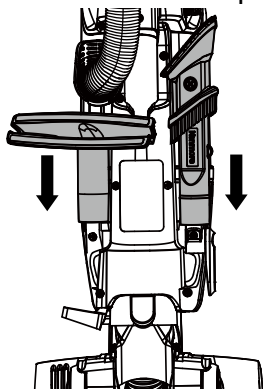
3. Inserte un extremo de la manguera flexible en la unidad principal hasta escuchar un sonido de "clic". Inserte el otro extremo de la manguera en la empuñadura hasta escuchar un sonido de "clic".





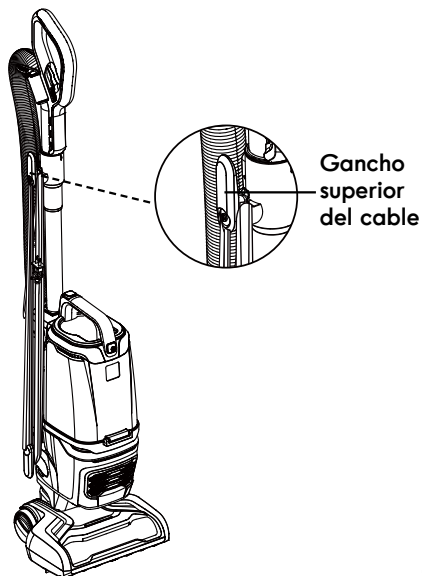
## INSTRUCCIONES DE ENSAMBLAJE

4. Inserte la herramienta combinada y la herramienta para tapizados en el almacenamiento de accesorios de la parte posterior de la unidad principal.

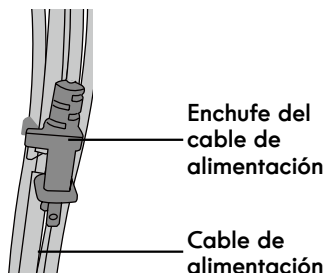


5. Asegúrese de que el gancho superior del cable esté en la posición correcta, tal como se indica. Envuelva el cable de alimentación sin apretar alrededor de los ganchos superior e inferior del cable.

**NOTA:** Asegúrese de enrollar el cable de alimentación en el gancho superior del cable primero y, luego, alrededor del gancho inferior del cable para así evitar dañar el cable.



6. Fije el enchufe correspondiente al cable de alimentación.



### ADVERTENCIA

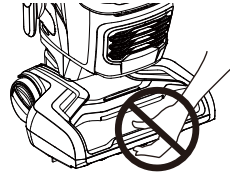
Riesgo de descarga eléctrica y lesiones personales

Enrollar el cable demasiado firme y con tensión excesiva puede provocar daños. Un cable dañado representa un peligro de descarga eléctrica y podría causar lesiones a las personas o daños.

## INSTRUCCIONES DE USO

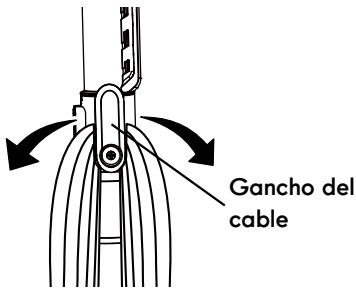
### PRECAUCIÓN

¡Piezas móviles! Para reducir el riesgo de lesiones personales, **NO** toque el cepillo de rodillo mientras la aspiradora esté encendida. Tocar el cable de rodillo mientras está girando puede cortar, golpear o provocar otras lesiones. Apague siempre el producto antes de repararlo. Tenga cuidado al usarlo cerca de niños o mascotas.



## CABLE DE ALIMENTACIÓN: LIBERACIÓN Y USO

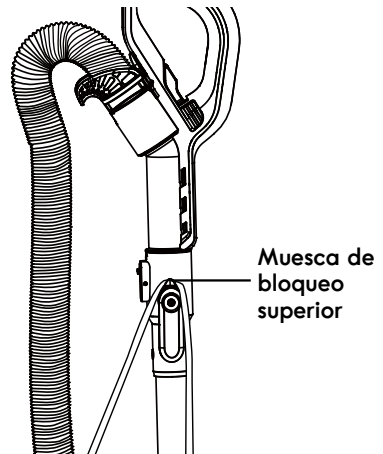
1. Gire el gancho superior del cable hacia ambos lados para liberar el cable de alimentación.



### ADVERTENCIA

Para reducir el riesgo de descarga eléctrica, este electrodoméstico posee una clavija polarizada (una punta es más ancha que la otra). Esta clavija calzará en la toma de corriente de pared polarizado solo en una posición. Si la clavija no entra completamente en la toma de corriente, póngala al revés. Si aún no calza, contacte a un técnico electricista calificado que pueda ayudarle a instalar la toma de corriente indicado. No modifique la clavija de ningún modo.

2. Separe la clavija del cable de alimentación.
3. Asegúrese de que el cable de alimentación esté bloqueado en la muesca de bloqueo superior como se indica. Esto ayudará a controlar el cable de alimentación mientras se esté usando la aspiradora.



4. Enchufe el cable de alimentación a un tomacorriente que se encuentre cerca del piso.

### ADVERTENCIA

Riesgo de daños al producto y lesiones personales

- Cuando ocurra una anomalía/falla, deje de usar el producto inmediatamente y desconecte la clavija.
- **NO** utilice tomacorrientes que estén sobre mesones o mesas. El cable podría dañar algunos artículos o al área circundante.

5. Presione el interruptor de encendido/apagado para encender la aspiradora.

## CABLE DE ALIMENTACIÓN: LIBERACIÓN Y USO

6. Cuando haya terminado de aspirar, presione el interruptor de encendido/apagado y desconecte la clavija del cable de alimentación de la toma de corriente.
7. Para restablecer el cable de alimentación después de usar, coloque el gancho superior del cable en posición recta. Luego, enrolle el cable con holgura en los ganchos.



### ADVERTENCIA

Riesgo de descarga eléctrica y lesiones personales

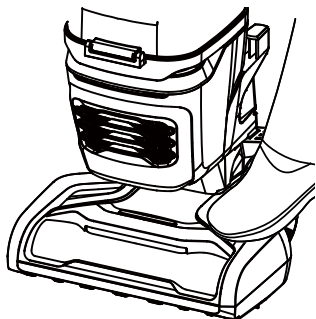
Enrollar el cable demasiado firme aplica tensión sobre el mismo y puede provocar daños. Un cable dañado es un peligro de descarga eléctrica y podría provocar lesiones personales o daños.

## MODOS DE FUNCIONAMIENTO

### MODO RECTO

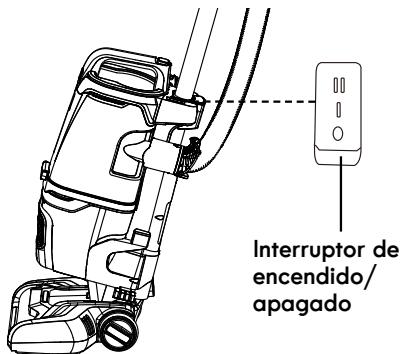
**NOTA:** Asegúrese de que la aspiradora esté completamente ensamblada y que el contenedor de polvo esté vacío antes de usar la aspiradora. No use la aspiradora sin los filtros instalados.

1. Suelte la empuñadura colocando el pie sobre la boquilla y tire para cambiar la posición de la empuñadura.



2. Encienda la aspiradora colocando el interruptor de encendido/apagado en la posición "I" para limpiar pisos lisos y pequeños cubrepisos.

**NOTA:** El cepillo de rodillo no gira si la aspiradora está en la posición "I".



3. Coloque el interruptor en la posición "II" para limpiar aspiradoras o cubrepisos.

**NOTA:** El cepillo de rodillo gira cuando la aspiradora está en la posición "II".

## MODOS DE FUNCIONAMIENTO



### PRECAUCIÓN

No deje que la aspiradora permanezca en un solo lugar, sin importar la cantidad de tiempo, cuando el cepillo de rodillo esté girando. Podría dañar la alfombra.

4. Cuando la aspiradora esté encendida, úsela inclinando la vara hacia usted y dejando la boquilla pareja a la superficie del piso.

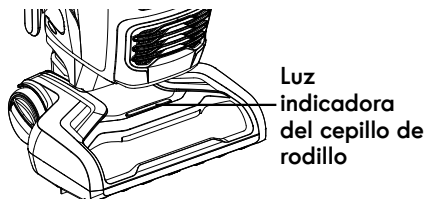
**NOTA:** El cepillo de rodillo no gira en ningún modo si la empuñadura está en posición totalmente vertical.

5. Tras haber terminado de aspirar, mueva el interruptor a la posición "O" y desconecte el cable de alimentación de la toma de corriente.

**NOTA:** Seleccione el modo recto al usar esta aspiradora. No coloque el interruptor en la posición "II" al limpiar pisos lisos ya que, de lo contrario, dañará el piso.

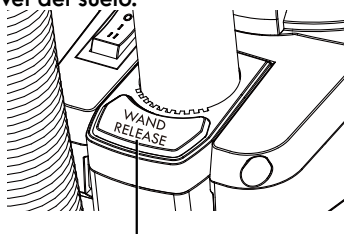
### LUZ INDICADORA DEL CEPILLO DE RODILLO

Color de la luz	Estado
Verde, continuo	El cepillo de rodillo está girando y funcionando como debería.
Rojo, continuo	Hay un atascamiento en el área del cepillo de rodillo. Apague y desconecte la aspiradora; luego, quite cualquier bloqueo de la boquilla.
No hay luz	El cepillo de rodillo está apagado.



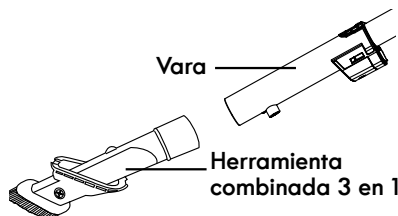
### MODO DE LIMPIEZA MÁS ARRIBA DEL SUELO

1. Coloque la aspiradora en posición de bloqueo recta.
2. Presione el botón de liberación de la vara y levántela para limpiar sobre el nivel del suelo.



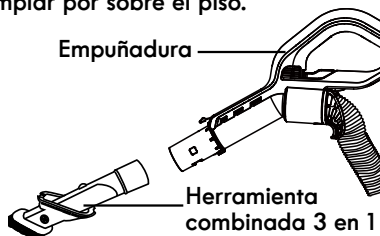
Botón de liberación de la vara

3. Elija el accesorio deseado e insértelo en la vara.



4. Encienda el motor moviendo el interruptor de encendido a la posición "I".
5. Tras haber terminado de aspirar, mueva el interruptor a la posición "O" y desconecte el cable de alimentación de la toma de corriente.

**NOTA:** El accesorio se puede insertar directamente en la empuñadura para limpiar por sobre el piso.



## MODOS DE FUNCIONAMIENTO



### PRECAUCIÓN

Al usar accesorios, tenga cuidado de no estirar la manguera flexible más de la cuenta. Estirar la manguera más allá de su capacidad podría provocar que la aspiradora se vuelque.

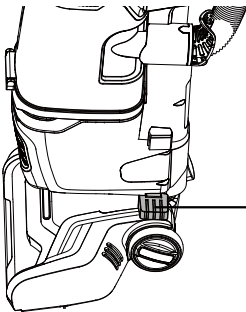


### PRECAUCIÓN

NO tire de la manguera para mover la aspiradora dentro de la habitación. Podrían producirse daños a la propiedad o lesiones personales.

### MODO ELEVACIÓN

1. Coloque la aspiradora en posición de bloqueo recta.
2. Presione el pedal de liberación de la boquilla motorizada con el pie para separar y levantar el cuerpo de la aspiradora de la boquilla motorizada a fin de transportarla.



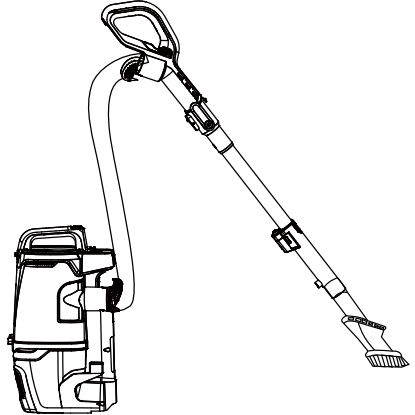
Pedal de liberación de la boquilla motorizada

3. Presione el botón de liberación de la vara y levante la vara para limpiar escaleras u otros lugares difíciles de alcanzar.

**NOTA:** Asegúrese de que el cable de alimentación se libere de los ganchos del cable antes de levantar la vara.

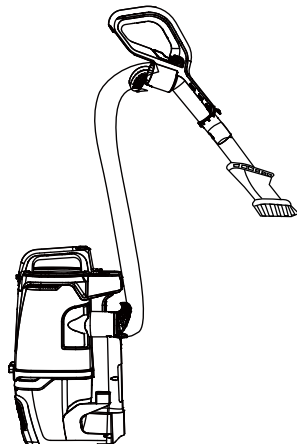


4. Elija el accesorio deseado e insértelo en la vara.



5. Encienda el motor moviendo el interruptor de encendido a la posición "I".
6. Tras haber terminado de aspirar, mueva el interruptor a la posición "O" y desconecte el cable de alimentación de la toma de corriente.

**NOTA:** El accesorio también se puede insertar directamente en la empuñadura.



## MODOS DE FUNCIONAMIENTO



### PRECAUCIÓN

Al usar accesorios, tenga cuidado de no estirar la manga flexible más de la cuenta. Estirar la manguera más allá de su capacidad podría provocar que la aspiradora se vuelque.

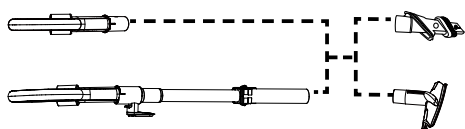


### PRECAUCIÓN

NO tire de la manguera para mover la aspiradora dentro de la habitación. Podrían producirse daños a la propiedad o lesiones personales.

## ACCESORIOS

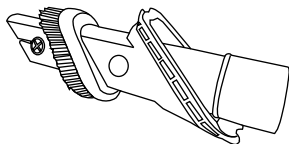
Todas las herramientas accesorias se pueden insertar en la empuñadura o la vara.



### HERRAMIENTA COMBINADA 3 EN 1

La herramienta combinada 3 en 1 se puede fijar al extremo de la empuñadura y la vara. Deslice el collarín de la herramienta sobre el extremo abierto de la empuñadura o vara.

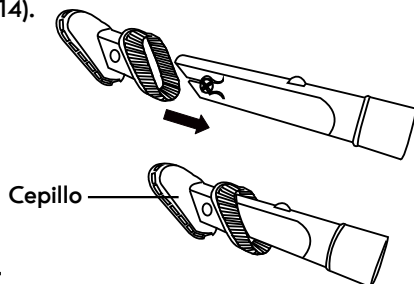
Utilice la herramienta combinada 3 en 1 en modo herramienta para hendiduras para limpiar espacios angostos en muebles, entre cojines y en escaleras. Consulte la TABLA DE USO DE ACCESORIOS (página 14).



Configure la herramienta combinada en modo cepillo para limpiar polvo presionando el botón de liberación y deslizando el costado con cepillo de la herramienta hacia el extremo de la herramienta combinada. Use en modo cepillo para limpiar polvo para limpiar superficies holgadas, como cortinas. Consulte la TABLA DE USO DE ACCESORIOS (página 14).



Presione el botón de liberación para sacar el cepillo para limpiar polvo. Coloque la herramienta combinada en modo cepillo para tapizados como se indica. Use en modo cepillo para limpiar superficies de tela como tapices de sofás. Consulte la TABLA DE USO DE ACCESORIOS (página 14).



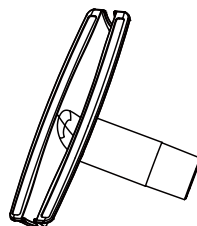
## ACCESORIOS

Para volver la herramienta combinada al modo de herramienta para grietas, presione el botón de liberación y deslice la herramienta de cepillo hacia abajo.

### HERRAMIENTA PARA TAPIZADOS





La herramienta para tapizados se puede fijar al extremo de la empuñadura y la vara. Deslice el collarín de la herramienta sobre el extremo abierto de la empuñadura o vara.

Use la herramienta para tapizados para limpiar superficies de tela tales como sofás y sábanas. Consulte la TABLA DE USO DE ACCESORIOS (página 14).



**PRECAUCIÓN**  
Use los accesorios cuando la aspiradora esté derecha.

## TABLA DE USO DE ACCESORIOS

ACCESORIO	ÁREA DE LIMPIEZA					Rodapiés
	Mueble*	Entre cojines*	Cortinas*	Escaleras		
				Alfombra	Liso	
HERRAMIENTA PARA HENDIDURAS 	✓	✓		✓	✓	✓
CEPILLO PARA DESEMPOLVAR 	✓		✓	✓	✓	✓
CEPILLO PARA TAPICES 	✓		✓			
HERRAMIENTA PARA TAPIZADOS 	✓			✓		

\*Limpie siempre los accesorios antes de usarlos en telas.

# DESEMPEÑO/CARACTERÍSTICAS DE SEGURIDAD

## PROTECTOR TÉRMICO

Esta aspiradora tiene un protector térmico que se activa automáticamente para proteger al motor de succión de la aspiradora. Si un tapón evita el flujo normal de aire hacia el motor, el protector térmico apaga el motor automáticamente. Esto deja enfriar el motor a fin de evitar posibles daños a la aspiradora.

Para restablecer el protector térmico: Apague la aspiradora y desconecte el cable de alimentación desde la toma de corriente para dejar enfriar la aspiradora y que el protector térmico se restablezca.



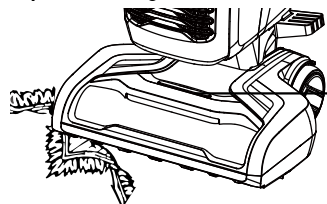
## PRECAUCIÓN

Vuelva a colocar siempre la aspiradora en posición recta antes de usar la manguera y los accesorios. No seguir esta indicación puede provocar sobrecalentamiento del motor del cepillo de rodillo y que se activen los protectores térmicos.

Revise y saque los tapones, vacíe el contenedor de polvo si fuese necesario. Además, compruebe y reemplace los filtros tapados. Espere aproximadamente 50 minutos antes de reencender la aspiradora.

## RESTABLECIMIENTO DEL CEPILLO DE RODILLO

El cepillo de rodillo tiene una protección integrada contra el daño al motor en caso de un atascamiento del cepillo de rodillo. Si el cepillo de rodillo se ralentiza o detiene, el protector contra sobrecarga del cepillo de rodillo apaga el motor y la luz indicadora del cepillo de rodillo emite una luz roja. El motor de succión de la aspiradora sigue funcionando.



Luz indicadora del cepillo de rodillo

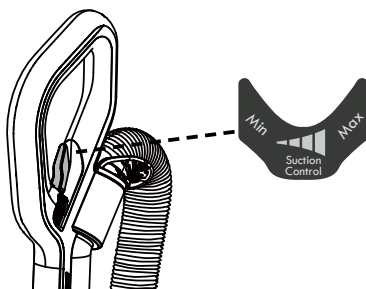
Para corregir el problema: Apague y desconecte la aspiradora, quite la obstrucción y vuelva a encender la aspiradora. La luz indicadora del cepillo de rodillo se apagará.

**NOTA:** Cuando el motor del cepillo de rodillo se apague, despeje la obstrucción y reinicie la aspiradora. Si el problema persiste, contacte a la línea de ayuda de la aspiradora para obtener ayuda.

## CONTROL DE SUCCIÓN

Puede abrir la válvula de control de succión para ayudar con la fuerza de succión/empuje de la aspiradora en superficies tales como alfombras densas, a fin de reducir la succión. Tenga en cuenta que para lograr los mejores resultados posibles, la válvula de control de succión debe estar totalmente cerrada.

- Deslice hacia "Min" para abrir el control de succión y reducir la succión. Abrir el control reduce la succión sobre cortinas y alfombras ligeras.
- Deslice hacia "Max" para cerrar el control de succión y aumentar la succión. Al cerrar el control se aumenta la succión, para tapizado y alfombras.





## MANTENIMIENTO Y CUIDADO DE LA ASPIRADORA

Siga siempre todas las precauciones de seguridad al realizar mantenimiento a la aspiradora.



### ADVERTENCIA

Riesgo de descarga eléctrica y lesiones personales

Desconecte la aspiradora de la toma de corriente antes de repararla o limpiarla. No hacer esto podría provocar descargas eléctricas o lesiones personales provocadas por un encendido súbito de la aspiradora.

## LIMPIEZA DEL EXTERIOR Y DE LOS ACCESORIOS

1. Apague y desconecte la aspiradora. NO deje caer agua sobre la aspiradora.
2. Para limpiar el exterior o para reducir la electricidad estática y la obstrucción de polvo, limpie la superficie exterior con un paño limpio y suave que se haya empapado con una solución de detergente líquido suave y agua para luego haberse estrujado. Seque después de limpiar.

**NOTA:** Lave los accesorios en agua tibia jabonosa, enjuague y seque al aire. No limpiar en lavavajillas.



### PRECAUCIÓN

No use accesorios si están mojados. Los accesorios usados en zonas sucias, tales como bajo un refrigerador, no deben usarse en otras superficies sino hasta haberlas lavado. Podrían dejar marcas.

## ALMACENAMIENTO DE LA ASPIRADORA



### ADVERTENCIA

Riesgo de descarga eléctrica y lesiones personales

Enrollar el cable demasiado firme aplica tensión sobre el mismo y puede provocar daños. Un cable dañado representa un peligro de descarga eléctrica y podría causar lesiones a las personas o daños.

1. Coloque los accesorios en posición de almacenamiento de ser necesario (consulte la página 8).
2. Reúna el cable y enróllelo con holgura alrededor de los ganchos superior e inferior del cable. Bloquee el retén de la clavija en el cable de alimentación.
3. Guarde la aspiradora en un área seca en interior, en el piso con la empuñadura trabada en posición vertical.

## VACIADO DEL CONTENEDOR DE POLVO

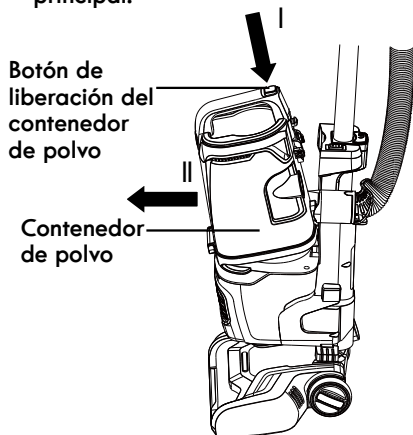


### ADVERTENCIA

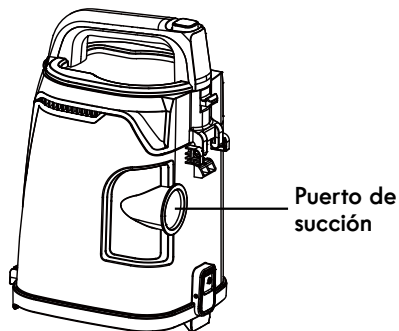
Desconecte siempre el cable de alimentación de la toma de corriente antes de realizar cualquier reparación o limpieza en la aspiradora.

**NOTA:** Para obtener el máximo rendimiento, vacíe el contenedor de polvo después de cada uso. Jamás use la aspiradora sin el contenedor de polvo y filtros instalados.

1. Presione el botón de liberación del contenedor de polvo para sacar el contenedor de polvo de la unidad principal.



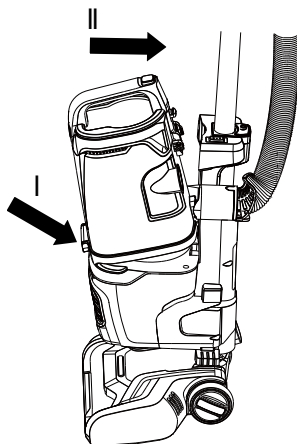
2. Quite cualquier obstrucción que pueda haber en el puerto de succión.



3. Coloque el contenedor de polvo sobre un receptáculo de desechos. Presione el botón de liberación de polvo para abrir la tapa del contenedor de polvo y dejar caer su contenido sobre un receptáculo de desechos.



4. Agite el contenedor de polvo para sacar cualquier sedimento que pueda colgar del prefiltro.
5. Reinstale e inserte el contenedor de polvo en las ranuras de la parte inferior de la unidad principal, luego presione el contenedor de polvo hacia la ranura bloqueada hasta que haga clic y calce en posición.



## LIMPIEZA DEL PREFILTRO

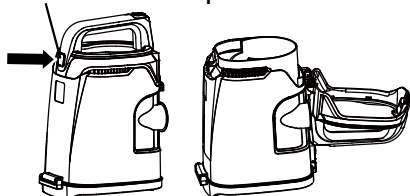
El prefiltro se encuentra al interior del contenedor de polvo. Limpie el prefiltro según sea necesario para optimizar la potencia de succión.

1. Saque el contenedor de polvo como se indica en la sección VACIADO DEL CONTENEDOR DE POLVO (página 17).

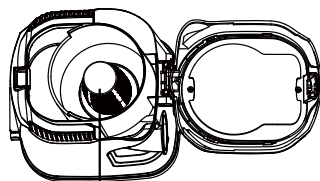
**NOTA:** Asegúrese de que el contenedor de polvo esté libre de sedimentos antes de abrirlo.

2. Presione el botón de liberación de la tapa del contenedor de polvo y ábrala.

Botón de liberación de la tapa del contenedor de polvo



3. Limpie el prefiltro golpeándolo suavemente sobre un basurero. Para garantizar la mejor limpieza posible, golpéelo desde varios ángulos.



Prefiltro

4. Reinstale el contenedor de polvo en la unidad principal. Consulte las instrucciones de instalación de la sección VACIADO DEL CONTENEDOR DE POLVO (página 17).

## LIMPIEZA DE FILTROS DE FIELTRO Y ESPUMA

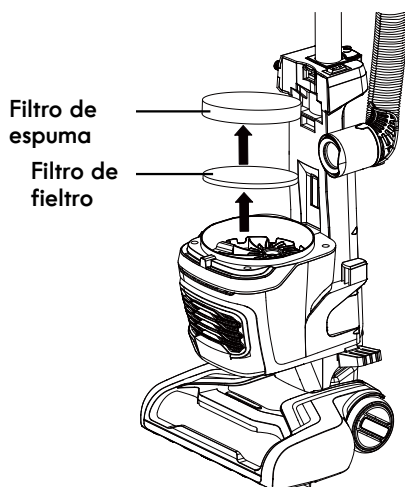
Se recomienda limpiar los filtros de espuma y fieltro usando agua fría cada tres meses.

**NOTA:** Cuando limpiar los filtros ya no restaure la potencia de succión de la aspiradora, o cuando los filtros se hayan gastado o dañado, cámbielos. Para comprar filtros, llame al 1-877-531-7321 (Estados Unidos) / 1-844-608-3081 (Canadá).

Limpie y reemplace regularmente los filtros para mantener la potencia de succión de la aspiradora a un nivel óptimo.

1. Saque el contenedor de polvo como se indica en la sección VACIADO DEL CONTENEDOR DE POLVO (página 17).

2. Saque los filtros de fieltro y espuma.



## LIMPIEZA DE FILTROS DE FIELTRO Y ESPUMA

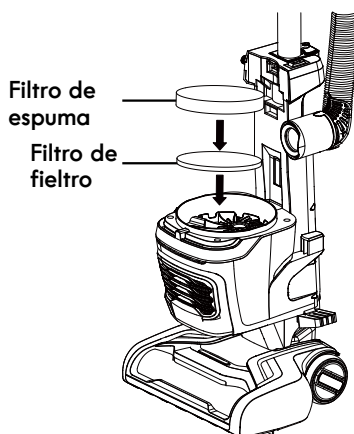
3. Lave usando solo agua fría, NO use detergentes o jabón. Estruje a mano y deje secar al aire. Deje secar todos los filtros durante 24 horas antes de volver a colocarlos en la aspiradora.

**NOTA:** NO usar sin los filtros de espuma y fieltro instalados.

NO lavar en lavavajillas.

NO instale los filtros de espuma y de fieltro si están mojados.

4. Reinstale los filtros de espuma y fieltro en la aspiradora.



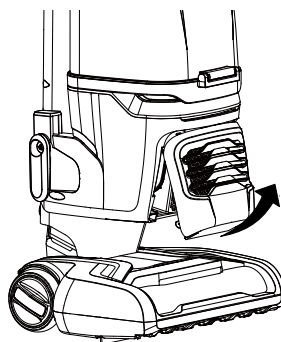
5. Reinstale el contenedor de polvo. Consulte VACIADO DEL CONTENEDOR DE POLVO (página 17).

## LIMPIEZA DEL FILTRO DE ESCAPE DE MEDIOS HEPA

Se recomienda limpiar el filtro de escape de medios HEPA con agua fría todos los años.

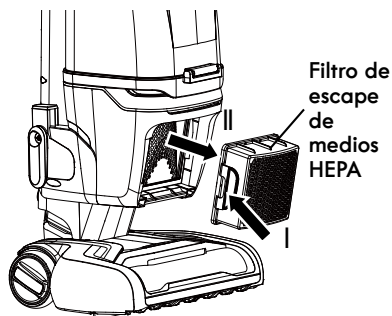
**NOTA:** Cuando limpiar el filtro ya no restaure la potencia de succión de la aspiradora, o cuando el filtro se haya gastado o dañado, cámbielo. Para comprar el filtro de escape, llame al 1-877-531-7321 (Estados Unidos) / 1-844-608-3081 (Canadá).

1. Quite la cubierta del filtro de escape tirando la pestaña de la parte inferior de la cubierta hacia afuera.



## LIMPIEZA DEL FILTRO DE ESCAPE DE MEDIOS HEPA

2. Presione la pestaña de liberación y quite el filtro de escape de medios HEPA de la aspiradora.



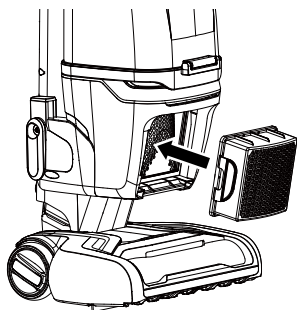
3. Lave usando solo agua fría. NO use detergente ni jabón. Deje secar al aire. Deje secar las piezas durante 24 horas antes de volver a colocarlas en la aspiradora.

**NOTA:** NO usar sin el filtro de escape instalado.

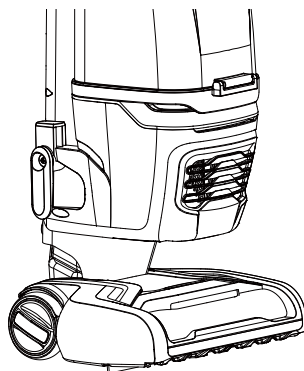
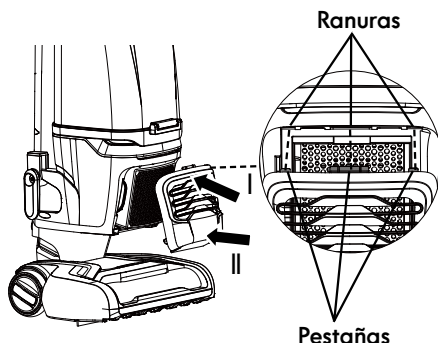
NO lavar en lavavajillas.

NO instale el filtro si está mojado.

4. Reinstale el filtro de escape de medios HEPA en la aspiradora hasta escuchar un sonido de clic.



5. Inserte las pestañas de la cubierta del filtro de escape en las pestañas superiores y fije la cubierta en posición presionando la parte inferior de ella hasta escuchar un clic.



**NOTA:** Asegúrese de instalar correctamente la cubierta del filtro de escape.

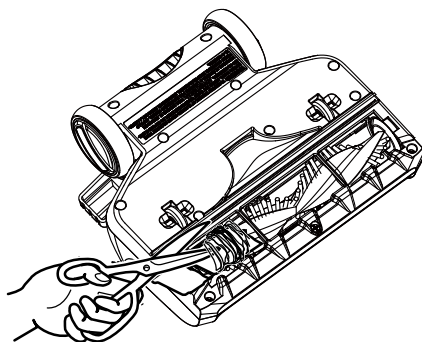
## LIMPIEZA DEL CEPILLO DE RODILLO



### ADVERTENCIA

Desenchufe siempre el cable de alimentación de la toma de corriente antes de realizar tareas de mantenimiento en la aspiradora.

Para mantener una limpieza eficiente, el cepillo de rodillo debe mantenerse libre de fibra de alfombras, hebras o pelos. Si el cepillo de rodillo está atascado, desconecte y voltee la aspiradora para revisar que el cepillo de rodillo no tenga acumulaciones de fibras y pelos. Use tijeras para quitar las acumulaciones de objetos enredados en el cepillo. Recomendamos limpiar el cepillo de rodillo periódicamente para lograr el máximo desempeño.



## CÓMO QUITAR OBSTRUCCIONES



### ADVERTENCIA

Desconecte la fuente de alimentación antes de quitar obstrucciones. El no seguir estas indicaciones puede provocar lesiones personales o descargas eléctricas.

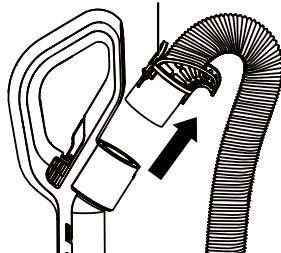
### INSPECCIÓN DE ATASCAMIENTOS EN LA MANGUERA FLEXIBLE Y VARA

En caso de haber un ruido anormal al usar la aspiradora, o si la potencia de succión cae súbitamente, es necesario revisar que no haya obstrucciones en la vía aérea. Revise frecuentemente la vía de aire para asegurarse de que no tenga obstrucciones. Frequently check air path to make sure it is free of obstructions.

1. Quite los extremos de la manguera flexible de la unidad principal y empuñadura presionando los botones de liberación de la manguera.

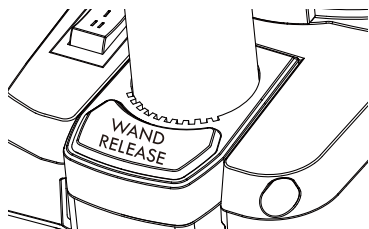


Botón de liberación de la manguera



## CÓMO QUITAR OBSTRUCCIONES

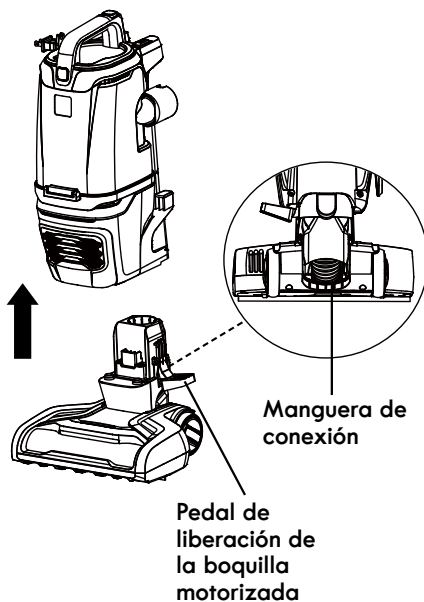
2. Suelte la vara de la unidad y asegúrese de sacar los accesorios de la vara.



3. Revise y quite cualquier atascamiento en la manguera flexible y vara.
4. Reinstale la vara y manguera flexible en la aspiradora. Consulte las INSTRUCCIONES DE ENSAMBLAJE (página 7).

### COMPROBACIÓN DE OBSTRUCCIONES EN LA MANGUERA DE CONEXIÓN

1. Para separar el cuerpo de la boquilla, pise el pedal de liberación de la boquilla motorizada con el pie y levante la unidad principal.
2. Revise y quite cualquier obstrucción de la manguera de conexión.
3. Reinstale la boquilla en el cuerpo de la aspiradora.



## RESOLUCIÓN DE PROBLEMAS

Revise estas soluciones tipo hágalo usted mismo para resolver problemas de rendimiento menores. Cualquier reparación necesario que no sean los procedimientos de mantenimiento indicados en esta guía de uso y cuidado se deben realizar mediante un agente de servicio calificado.



### ADVERTENCIA

**Desconecte el suministro eléctrico antes de realizar cualquier trabajo de mantenimiento en la aspiradora. El no seguir estas indicaciones puede provocar lesiones personales o descargas eléctricas.**

PROBLEMA	CAUSA PROBABLE	SOLUCIÓN
La aspiradora no funciona.	Está desenchufada del tomacorriente.	Enchufe con firmeza, mueva el interruptor de encendido/apagado hacia la posición "I" o "II".
	No está presionado el interruptor de encendido/apagado para encender en la aspiradora.	Mueva el interruptor de encendido/apagado hacia la posición "I" o "II".
	Toma de corriente defectuosa.	Pruebe usando una lámpara o electrodoméstico que funcione correctamente. Asegúrese de que el cable de alimentación esté conectado completamente en una toma de corriente que esté funcionando.
	El cuerpo de la aspiradora está sobrecalentado.	Desenchufe el cable de alimentación y deje enfriar la aspiradora durante 50 minutos.
	El motor está dañado.	Llame al 1-877-531-7321 (Estados Unidos) / 1-844-608-3081 (Canadá) para obtener ayuda.
Recolección de suciedad ineficiente.	La manguera o accesorios no están instalados correctamente.	Revise que la manguera y accesorios estén bien instalados y asegúrese de que se conecten firmemente.
	El contenedor de polvo no está instalado correctamente.	Revise que el contenedor de polvo esté bien instalado y asegúrese de que se conecte firmemente.
	Contenedor de polvo lleno o tapado.	Vacíe el contenedor de polvo (página 17).
	Hay un tapón en la manguera flexible o manguera de conexión de la aspiradora.	Revise y saque cualquier tapón. Siga las instrucciones de la página 21-22.
	El control de succión está en posición abierta.	Ajuste el control de succión para aumentar la potencia. Siga las instrucciones de la página 15.



## RESOLUCIÓN DE PROBLEMAS

	El filtro de espuma, filtro de fieltro o filtro de escape HEPA se debe limpiar o reemplazar.	Limpie o reemplace el filtro de espuma, filtro de fieltro o filtro de escape HEPA. Siga las instrucciones de limpieza del filtro de espuma, filtro de fieltro o filtro de escape HEPA indicadas en la página 18-20.
	La manguera flexible está gastada.	Cambie la manguera. Para comprar piezas, llame al 1-877-531-7321 (Estados Unidos) / 1-844-608-3081 (Canadá).
	La manguera de conexión está gastada.	Llame al 1-877-531-7321 (Estados Unidos) / 1-844-608-3081 (Canadá) para obtener ayuda.
	El cepillo de rodillo está gastado.	Llame al 1-877-531-7321 (Estados Unidos) / 1-844-608-3081 (Canadá) para obtener ayuda.
Sale polvo de la aspiradora.	El contenedor de polvo está instalado incorrectamente.	Coloque correctamente el contenedor de polvo y hágalo calzar con firmeza en posición.
	El filtro de escape de medios HEPA está mal instalado.	Revise que el filtro de escape esté bien instalado. Siga las instrucciones de la página 19-20.
	El filtro de espuma, filtro de fieltro o filtro de escape HEPA está gastado o roto.	Revise y reemplace el filtro de espuma, filtro de fieltro o filtro de escape HEPA. Para comprar piezas, llame al 1-877-531-7321 (Estados Unidos) / 1-844-608-3081 (Canadá).
El cepillo de rodillo no gira.	La empuñadura está en posición totalmente recta.	Mueva la empuñadura desde su posición totalmente recta.
	Selección del modo incorrecto.	Presione el interruptor hacia la posición "II" para encender el cepillo de rodillo.
	El cepillo de rodillo está atascado.	Quite la obstrucción. Siga las instrucciones de la página 21.
	El cepillo de rodillo no está instalado correctamente.	Llame al 1-877-531-7321 (Estados Unidos) / 1-844-608-3081 (Canadá) para obtener ayuda.
	La correa no está bien colocada.	Llame al 1-877-531-7321 (Estados Unidos) / 1-844-608-3081 (Canadá) para obtener ayuda.
	La correa está gastada o rota.	Llame al 1-877-531-7321 (Estados Unidos) / 1-844-608-3081 (Canadá) para obtener ayuda.
	Falla en la sección PCB de la boquilla motorizada.	Llame al 1-877-531-7321 (Estados Unidos) / 1-844-608-3081 (Canadá) para obtener ayuda.
	El protector de sobrecarga de la boquilla motorizada está activado.	Espere a que la boquilla motorizada se enfríe y vuelva a encenderla.

## RESOLUCIÓN DE PROBLEMAS

El flujo de aire se restringe al usar accesorios; el sonido cambia.	La cubierta del filtro de escape no está instalada correctamente.	Coloque correctamente la cubierta del filtro de escape y hágala calzar con firmeza en posición. Siga las instrucciones de la página 19-20.
	La vía aérea está bloqueada.	Revise y quite cualquier obstrucción y despeje la vía aérea. Siga las instrucciones de la página 21-22.
	Los accesorios en uso restringen el flujo de aire.	Revise que los accesorios no tengan pelusas, pelo de mascotas u otros sedimentos.
La aspiradora se apaga sola.	La clavija del cable de alimentación se suelta de la toma de corriente al usar la aspiradora.	Reinserte la clavija del cable de alimentación en la toma de corriente. Evite tirar del cable de alimentación o arrastrarlo al usar la aspiradora.
	Protector térmico activado.	Apague la aspiradora y desconéctela. Revise la vía aérea y el contenedor de polvo. Deje enfriar la aspiradora durante un mínimo de 50 minutos. Conecte la aspiradora y enciéndala.
	El motor está dañado.	Llame al 1-877-531-7321 (Estados Unidos) / 1-844-608-3081 (Canadá) para obtener ayuda.
La luz indicadora del cepillo de rodillo se enciende de color rojo.	Hay un atascamiento en el área del cepillo de rodillo.	Apague y desconecte la aspiradora. Saque cualquier bloqueo del cepillo de rodillo. Consulte la página 21.
	El cepillo de rodillo está gastado o roto.	Llame al 1-877-531-7321 (Estados Unidos) / 1-844-608-3081 (Canadá) para obtener ayuda.

## SOMMAIRE

Avant utilisation de votre nouvel aspirateur.....	1
Liste du contenu.....	1
Consignes Importantes De Sécurité.....	2-3
Garantie de l'Aspirateur .....	4
Pièces et Fonctionnalités.....	5-6
Instructions de montage.....	7-8
Instructions d'utilisation .....	9-14
Caractéristiques de performance/sécurité.....	15
Entretien Et Soins De L'Aspirateur.....	16-22
Dépannage.....	23-25
Demande d'Assistance ou de Service.....	Couverture Arrière

## AVANT UTILISATION DE VOTRE NOUVEL ASPIRATEUR

Veuillez lire le présent Guide d'utilisation et d'entretien. Il vous sera utile pour monter et utiliser votre nouvel aspirateur Kenmore en toute sécurité et de la façon la plus efficace possible.

Pour de plus amples informations concernant l'entretien et l'utilisation de votre aspirateur, veuillez appeler le Service d'Aide En Ligne sur les Aspirateurs en composant le numéro : 1-877-531-7321 (États-Unis) / 1-844-608-3081 (Canada). Lorsque vous demandez des renseignements, vous devez disposer des numéros de modèle et de série complets du produit.

Les numéros de modèle et de série de votre aspirateur figurent sur la plaque signalétique apposée sur le produit. Notez le numéro de modèle et le numéro de série de votre nouvel aspirateur Kenmore dans l'espace ci-dessous.

Modèle N° \_\_\_\_\_

N° de série \_\_\_\_\_

Date d'achat \_\_\_\_\_

Veuillez conserver en lieu sûr le présent manuel ainsi que votre ticket de caisse (reçu) afin de pouvoir vous y référer ultérieurement.

## LISTE DU CONTENU

Votre ASPIRATEUR KENMORE est emballé avec les pièces et composants suivants montés séparément dans le carton:

- |   |                                      |
|---|--------------------------------------|
| 1 Aspirateur Balai (avec<br>Électro-Brosse) | 1 Outil À Usages Multiples 3 en      |
| 1 Manche                                    | 1 Brosse À Meubles                   |
| 1 Tuyau Flexible                            | 1 Guide D'Utilisation Et D'Entretien |
| 1 Tube                                      |                                      |

## CONSIGNES IMPORTANTES DE SÉCURITÉ

Veuillez lire l'intégralité des consignes du présent guide avant de monter ou d'utiliser votre aspirateur.

### AVERTISSEMENT

Votre sécurité est importante pour nous. Pour réduire tous risques d'incendie, d'électrocution, de blessures corporelles ou de dommages matériels lors de l'utilisation de votre aspirateur, suivez les précautions de sécurité de base suivantes:

- Utilisez votre aspirateur uniquement de la manière décrite dans le présent Guide D'Utilisation Et D'Entretien. Utilisez exclusivement les accessoires recommandés par le fabricant.
- Coupez l'alimentation électrique avant de réparer ou de nettoyer la zone de la brosse. Le non-respect de cette consigne peut entraîner le démarrage inopiné de la brosse et provoquer des blessures corporelles occasionnées par des pièces mobiles.
- Ne pas laisser l'aspirateur lorsqu'il est branché. Débranchez celui-ci de la prise de courant lorsque vous ne l'utilisez et avant de procéder à son entretien.
- Afin de réduire tous risques d'électrocution, ne pas utiliser l'appareil à l'extérieur ni sur des surfaces humides.
- Ne pas permettre que l'appareil soit utilisé comme un jouet. Soyez très attentif s'il est utilisé par des enfants ou si des enfants se trouvent à proximité.
- Ne pas utiliser avec un cordon ou une fiche endommagé(e). Si l'aspirateur ne fonctionne pas comme il le devrait, s'il est tombé, s'il a été endommagé, s'il a été laissé à l'extérieur ou s'il est tombé dans de l'eau, cessez immédiatement de l'utiliser et composez le numéro : 1-877-531-7321 (États-Unis) / 1-844-608-3081 (Canada) pour obtenir de l'aide.
- Ne pas tirer ni porter l'appareil en utilisant le cordon. Ne pas utiliser celui-ci en guise de poignée ou pour fermer une porte et ne pas l'enrouler autour de bords coupants ou d'arêtes vives. Ne pas faire fonctionner l'aspirateur par dessus le cordon. Maintenez le cordon à l'écart de toutes surfaces chaudes.
- Ne pas débrancher l'appareil en tirant sur le cordon. Pour débrancher le produit, saisissez la fiche, pas le cordon.
- Ne pas manipuler la fiche ou l'aspirateur avec les mains mouillées.
- N'introduire aucun objet dans les orifices de l'appareil.
- Ne pas utiliser l'appareil si un orifice est bouché. Faites en sorte que les orifices ne soient pas encombrés de poussières, peluches, cheveux ou de toute autre objet susceptible de gêner la circulation de l'air.
- Maintenez vos cheveux, vêtements amples, doigts et toutes parties du corps à l'écart des orifices et des pièces mobiles.
- Coupez toutes les commandes de l'appareil avant de le débrancher.
- Faites très attention lorsque vous nettoyez des escaliers.
- Ne pas poser le produit sur des chaises, des tables, etc. Maintenez-le sur le plancher.
- Ne pas utiliser l'aspirateur pour aspirer des liquides inflammables ou combustibles (essence, liquide de nettoyage, parfums, etc.) ou l'utiliser dans des endroits où ces substances peuvent être présentes. Les vapeurs de ces substances peuvent créer un risque

## INSTRUCCIONES DE SEGURIDAD IMPORTANTES

d'incendie ou d'explosion.

- Ne pas aspirer de matières en combustion ou qui dégagent de la fumée, telles que des cigarettes, des allumettes ou des cendres chaudes.
- Ne pas utiliser d'aspirateur sans le bac à poussières et/ou des filtres en place.
- Nettoyez toujours le bac à poussière après aspiration de nettoyeurs de tapis ou d'assainisseurs, de poudres et de poussières fines. Ces produits obstruent les filtres, réduisent le flux d'air et risquent
- d'endommager l'aspirateur. Le non-nettoyage du bac à poussière risque d'endommager définitivement l'aspirateur.
- Ne pas utiliser l'aspirateur pour aspirer des objets durs et pointus, des petits jouets, des épingles, des trombones, etc. Ceux-ci risquent d'endommager l'aspirateur ou le bac à poussière.
- Il vous incombe de vous assurer que votre aspirateur n'est utilisé par aucune personne incapable de le faire fonctionner correctement.

## VEUILLEZ CONSERVER LES PRÉSENTES CONSIGNES

Un bon montage et une utilisation en toute sécurité de votre aspirateur relèvent de votre responsabilité. Votre aspirateur est conçu pour un **Usage Domestique**. Lisez attentivement le présent guide d'utilisation et d'entretien pour connaître les consignes de sécurité et d'utilisation importantes qu'il contient. Le présent guide contient des consignes de sécurité sous des symboles d'avertissement et de mise en garde.

**Le système AllergenSeal™ vous indique que cet aspirateur piège 99,97 % de la poussière et des particules pouvant atteindre 0,3 micron à l'intérieur de votre aspirateur, les empêchant ainsi de se retrouver dans l'air que vous respirez.**

## **GARANTIE DE L'ASPIRATEUR**

### **GARANTIE LIMITÉE**

PENDANT UN AN à compter de la date de vente, ce produit est garanti contre tout défaut de matériau ou de fabrication.

MUNI D'UNE PREUVE DE VENTE, tout produit défectueux peut être retourné au revendeur aux fins de remplacement gratuit.

La marque Kenmore est utilisée sous licence. Adressez toutes les demandes de service sous garantie en composant le numéro : 1-877-531-7321 (États-Unis) / 1-844-608-3081 (Canada).

Sont exclus de la garantie les filtres ou les courroies, qui sont des pièces à usage unique susceptibles de s'user durant la période de garantie des suites d'un usage normal.

La présente garantie sera nulle et non avenue en cas d'utilisation éventuelle de ce produit à toutes autres fins que personnelles et privées. La présente garantie vous accorde des droits spécifiques légaux, mais vous pouvez également avoir d'autres droits qui varient selon les États.

Cleva North America, Inc., Greenville SC 29607

## PIÈCES ET FONCTIONNALITÉS

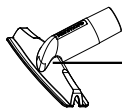
Il est important de connaître les pièces ainsi que les fonctionnalités de votre aspirateur afin d'en assurer une utilisation correcte et en toute sécurité. Examinez-les avant d'utiliser votre aspirateur.

### PIÈCES DE RECHANGE

Élément	Pièce N° (États-Unis)	Pièce N° (Canada)
Filtre en mousse	561055105	561055105
Filtre en Feutre	561055106	561055106
Filtre d'Évacuation À Cartouche HEPA	571022102	571022102
Tube	571022103	571022103
Manche	571022104	571022104
Tuyau Flexible	571022105	571022105
Outil À Usages Multiples 3 en 1	561055134	561055134
Brosse À Meubles	561055176	561055176

Pour passer commande d'une pièce de rechange, veuillez composer le numéro: 1-877-531-7321 (États-Unis) / 1-844-608-3081 (Canada).

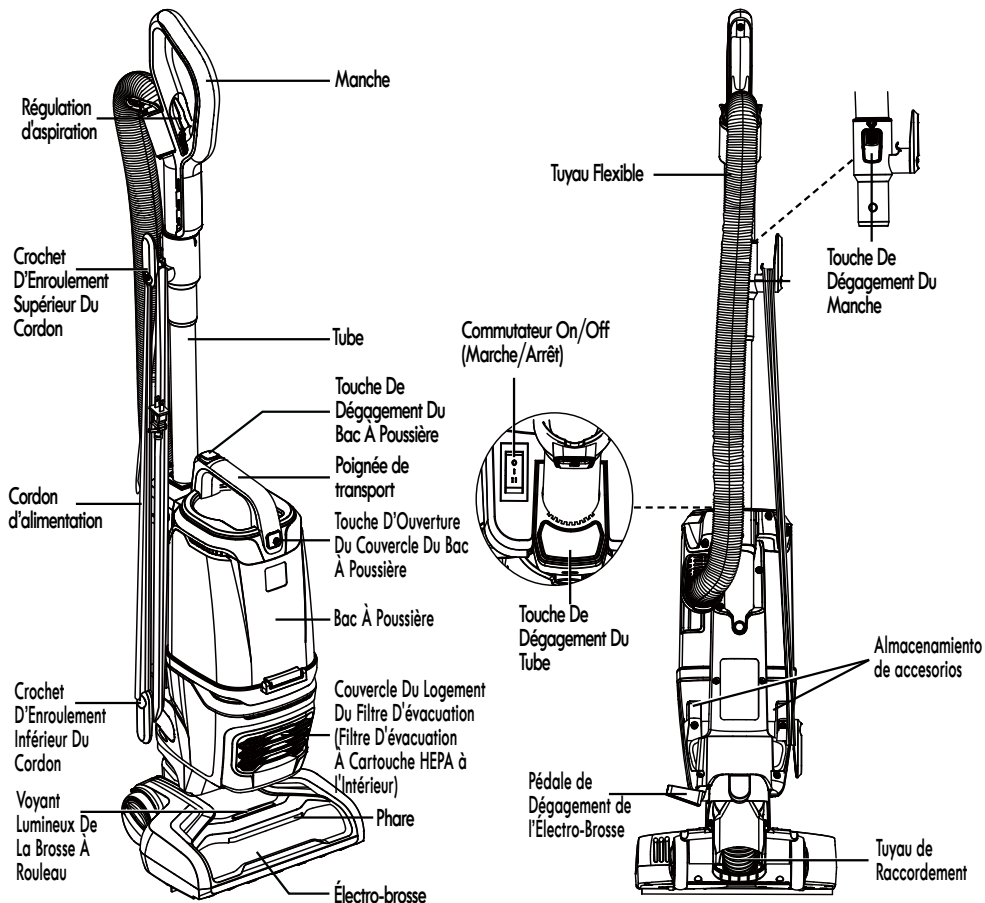
# PIÈCES ET FONCTIONNALITÉS



Brosse À Meubles



Outil À Usages Multiples 3 en 1







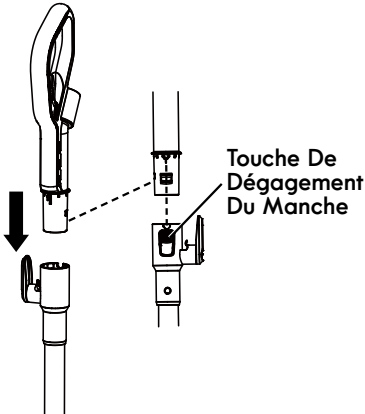
Veillez porter une attention particulière à ces boîtes d'alerte et suivre les instructions données. Les **AVERTISSEMENTS** vous alertent sur les dangers tels que les risques d'incendie, d'électrocution, de brûlures et de blessures corporelles. Les **MISES EN GARDE** vous alertent sur des risques tels que blessures corporelles et/ou dommages matériels.

## INSTRUCTIONS DE MONTAGE

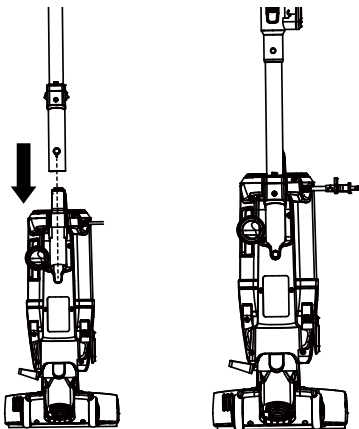
Avant de monter l'aspirateur, veuillez vérifier le **BORDEREAU D'EMBALLAGE** (page 1). Utilisez ladite liste afin de vous assurer de la réception de tous les composants de votre nouvel Aspirateur Balai Sans Sac Kenmore.

1. Insérez le manche dans le tube jusqu'à ce que vous entendiez un « déclic ».

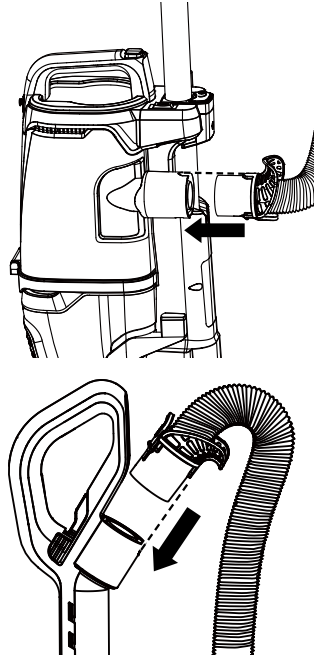
Pour retirer : Appuyez sur la touche de dégagement du manche, puis tirez sur le manche vers le haut.



2. Insérez le tube dans le corps principal jusqu'à ce que vous entendiez un « déclic ».

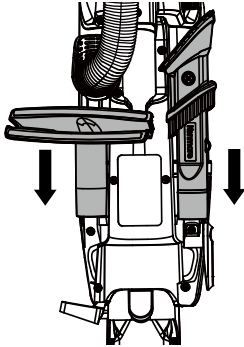


3. Insérez une extrémité du tuyau flexible dans le corps principal, ainsi qu'illustré, jusqu'à ce que vous entendiez un « déclic ». Insérez l'autre extrémité du tuyau dans le manche jusqu'à ce que vous entendiez un « déclic ».



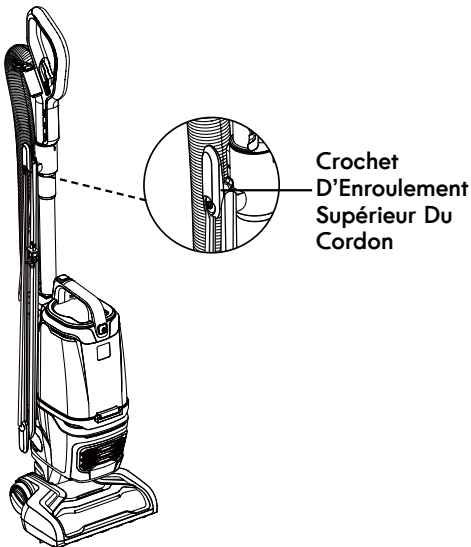
## INSTRUCTIONS DE MONTAGE

4. Insérez l'outil à usages multiples et la brosse à meubles dans les supports de l'emplacement de rangement des accessoires situés au dos du corps principal.

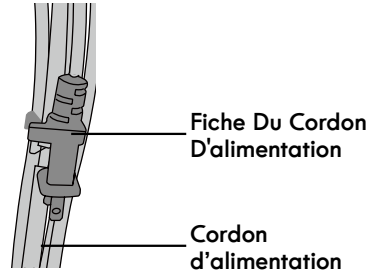


5. Assurez-vous que le crochet d'enroulement supérieur du cordon est correctement positionné, ainsi qu'illustré. Enroulez le cordon d'alimentation sans le serrer autour des crochets d'enroulement supérieur et inférieur du cordon.

**REMARQUE:** Veillez à enrouler le cordon d'alimentation autour du crochet d'enroulement supérieur en premier, puis autour du crochet d'enroulement inférieur afin d'éviter d'endommager le cordon d'alimentation.



6. Verrouillez la fiche du cordon d'alimentation sur le cordon d'alimentation.



### AVERTISSEMENT

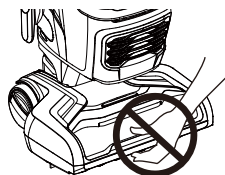
Risques D'Électrocution et De Blessures Corporelles

L'enroulement trop serré du cordon soumis à un stress excessif risque d'endommager celui-ci. Un cordon endommagé présente des risques d'électrocution et peut entraîner des blessures corporelles ou des dommages.

## INSTRUCTIONS D'UTILISATION

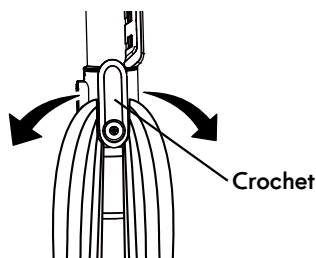
### ATTENTION

Pièces mobiles! Afin de réduire tout risque de blessures, **NE PAS** toucher la brosse à rouleau lorsque l'aspirateur est en marche. Tout contact avec la brosse à rouleau en rotation peut provoquer coupures, ecchymoses ou toutes autres blessures. Mettez toujours l'appareil hors tension avant de procéder à des réparations. Faites preuve de prudence lorsque vous utilisez l'aspirateur en présence d'enfants ou d'animaux familiers.



## CORDON D'ALIMENTATION: DÉGAGEMENT ET UTILISATION

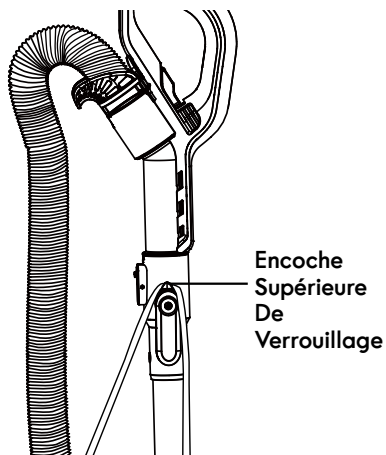
1. Tournez le crochet d'enroulement supérieur du cordon vers un côté ou l'autre pour dégager le cordon d'alimentation.



### AVERTISSEMENT

Afin de réduire tout risque d'électrocution, cet appareil comporte une prise polarisée (une lame est plus large que l'autre). Il n'y a qu'une façon d'insérer la fiche dans une prise polarisée. Si la fiche ne s'insère pas entièrement dans la prise, inversez la fiche. Si elle ne s'insère toujours pas correctement, contactez un électricien qualifié afin qu'il installe une prise adaptée. Ne modifiez en aucun cas la fiche.

2. Détachez la fiche du cordon d'alimentation du cordon d'alimentation.
3. Assurez-vous que le cordon d'alimentation est verrouillé dans l'encoche de verrouillage supérieure, ainsi qu'illustré. Cela permet de mieux gérer le cordon d'alimentation lors de l'utilisation de l'aspirateur.



4. Branchez la fiche du cordon d'alimentation à une prise de courant située près du plancher.

### AVERTISSEMENT

Risques de blessures corporelles et de dommages matériels

- En cas d'anomalie/de panne, cessez immédiatement d'utiliser le produit, puis débranchez la fiche d'alimentation.
- **NE PAS** utiliser de prises de courant situées au-dessus des comptoirs. Le cordon risque d'endommager des objets dans la zone environnante.

5. Appuyez sur le commutateur On/Off (Marche/Arrêt) pour mettre l'aspirateur en marche.

## CORDON D'ALIMENTATION: DÉGAGEMENT ET UTILISATION

- Une fois que vous avez terminé de passer l'aspirateur, appuyez sur le commutateur On/Off (Marche/Arrêt); débranchez la fiche du cordon d'alimentation de la prise de courant.
- Pour rétablir le cordon d'alimentation après utilisation, positionnez à la verticale le crochet d'enroulement supérieur du cordon. Enroulez ensuite le cordon sans le serrer autour des crochets d'enroulement du cordon.

**⚠ AVERTISSEMENT**  
Risques D'Électrocution et De Blessures Corporelles

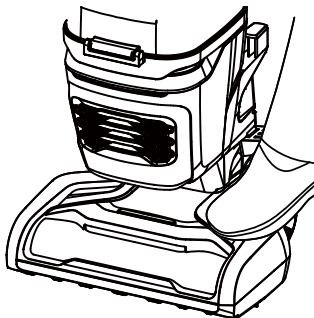
L'enroulement trop serré du cordon ajoute du stress à celui-ci et risque de l'endommager. Un cordon endommagé présente des risques d'électrocution et peut entraîner des blessures corporelles ou des dommages.

## MODES D'UTILISATION

### MODE VERTICAL

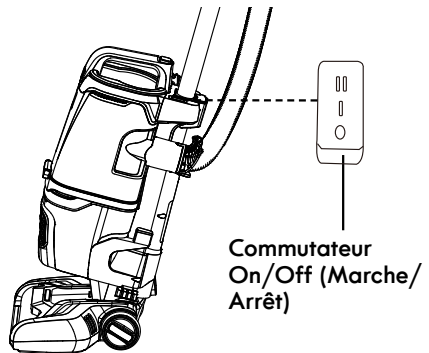
**REMARQUE:** Assurez-vous que l'aspirateur est entièrement monté et que le bac à poussière est vide avant de l'utiliser. Ne pas utiliser l'aspirateur sans filtres en place.

- Dégagez le manche en plaçant un pied sur la buse et en le tirant vers l'arrière afin de changer la position du manche.



- Mettez sous tension l'aspirateur en appuyant sur le commutateur On/Off (Marche/Arrêt) pour le positionner sur « I » pour nettoyer les planchers nus et les tapis de petite surface.

**REMARQUE:** La brosse à rouleau ne tourne pas lorsque le commutateur On/Off (Marche/Arrêt) de l'aspirateur est positionné sur « I ».



- Appuyez sur le commutateur On/Off (Marche/Arrêt) pour le positionner sur « II » pour nettoyer moquettes ou tapis.

**REMARQUE:** La brosse à rouleau tourne lorsque le commutateur On/Off (Marche/Arrêt) de l'aspirateur est positionné sur « II ».

# MODES D'UTILISATION



## ATTENTION

Ne pas laisser l'aspirateur rester au même endroit pour quelque durée que ce soit lorsque la brosse à rouleau est en rotation. La moquette risque d'être endommagée.

4. Une fois l'aspirateur en marche, utilisez celui-ci en inclinant le tube en arrière vers vous et la buse affleure la surface du plancher.

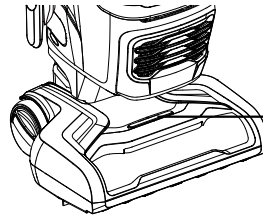
**REMARQUE:** La brosse à rouleau ne tourne en aucun des deux modes lorsque le manche est positionné à la verticale.

5. Une fois que vous avez terminé de passer l'aspirateur, positionnez le commutateur On/Off (Marche/Arrêt) sur « O », puis débranchez le cordon d'alimentation de la prise de courant.

**REMARQUE:** Sélectionnez le mode approprié lorsque vous utilisez cet aspirateur. Ne pas appuyer sur le commutateur On/Off (Marche/Arrêt) pour le positionner sur « II » lorsque vous nettoyez le plancher nu. Dans le cas contraire, vous risquez d'endommager le plancher.

## VOYANT LUMINEUX DE LA BROSSE À ROULEAU

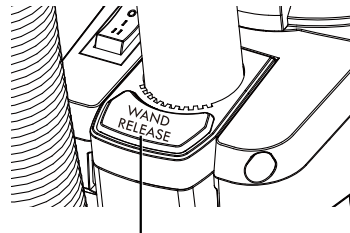
Couleur des voyants	État
Vert, fixe	La brosse à rouleau tourne et fonctionne comme il se doit.
Rouge, fixe	Présence de bourrage dans la zone de la brosse à rouleau. Mettez hors tension et débranchez l'aspirateur, puis éliminez les obstructions présentes dans la buse.
Absence d'allumage	La brosse à rouleau est arrêtée.



Voyant Lumineux De La Brosse À Rouleau

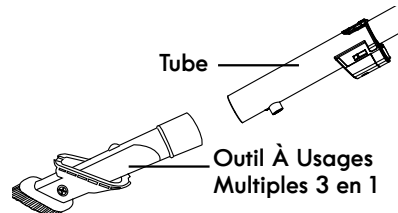
## MODE AU-DESSUS DU PLANCHER

1. Positionnez l'aspirateur verrouillé à la verticale.
2. Appuyez sur la touche de dégagement du tube, puis soulevez le tube pour effectuer un nettoyage au-dessus du plancher.



Touche De Dégagement Du Tube

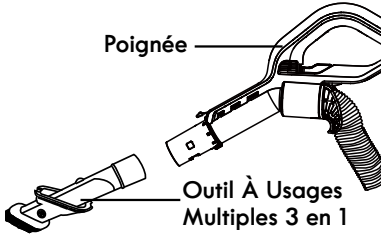
3. Choisissez l'accessoire souhaité, puis insérez-le dans le tube.



4. Mettez sous tension l'aspirateur en appuyant sur le commutateur On/Off (Marche/Arrêt) pour le positionner sur « I ».
5. Une fois que vous avez terminé de passer l'aspirateur, positionnez le commutateur On/Off (Marche/Arrêt) sur « O », puis débranchez le cordon d'alimentation de la prise de courant.

## MODES D'UTILISATION

**REMARQUE:** L'accessoire peut également être inséré directement dans le manche pour effectuer du nettoyage au-dessus du sol.



### ATTENTION

Lorsque vous utilisez des accessoires, veillez à ne pas étendre à l'excès le tuyau flexible lorsque vous vous penchez pour atteindre certains endroits. Toute tentative visant à dépasser la capacité d'extension du tuyau risque d'entraîner le renversement de l'aspirateur.

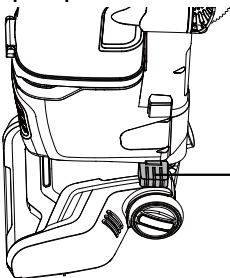


### ATTENTION

**NE PAS** tirer l'aspirateur par le tuyau dans la pièce. Cela risque d'entraîner des dommages matériels ou blessures corporelles.

### MODE LIFT-UP (Soulever)

1. Positionnez l'aspirateur verrouillé à la verticale.
2. Appuyez avec le pied sur la pédale de dégagement de l'électro-brosse afin de détacher et de soulever le corps de l'aspirateur de l'électro-brosse pour un transport portatif.

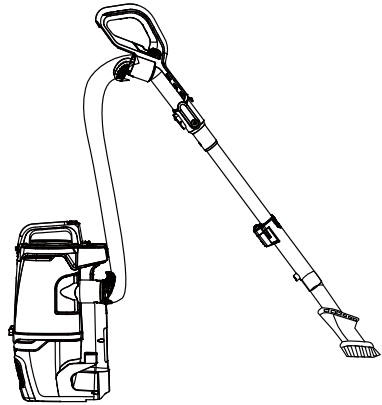


3. Appuyez sur la touche de dégagement du tube, puis soulevez le tube pour nettoyer les escaliers ou tous autres endroits difficiles d'accès.

**REMARQUE:** Assurez-vous que le cordon d'alimentation est dégagé des crochets d'enroulement du cordon avant de soulever la tube.



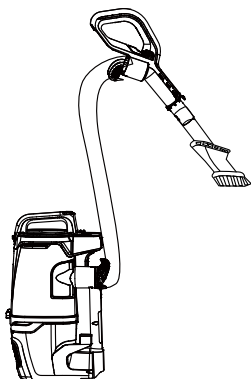
4. Choisissez l'accessoire souhaité, puis insérez-le dans le tube.



5. Mettez sous tension l'aspirateur en appuyant sur le commutateur On/Off (Marche/Arrêt) pour le positionner sur « I ».
6. Une fois que vous avez terminé de passer l'aspirateur, positionnez le commutateur On/Off (Marche/Arrêt) sur « O », puis débranchez le cordon d'alimentation de la prise de courant.

**REMARQUE:** L'accessoire peut également être inséré directement dans le manche.

## MODES D'UTILISATION



### ATTENTION

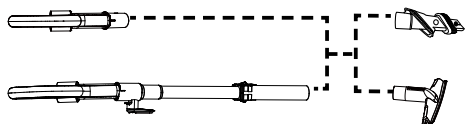
Lorsque vous utilisez des accessoires, veillez à ne pas étendre à l'excès le tuyau extensible lorsque vous vous penchez pour atteindre certains endroits. Toute tentative visant à dépasser la capacité d'extension du tuyau risque d'entraîner le renversement de l'aspirateur.

### ATTENTION

**NE PAS** tirer l'aspirateur par le tuyau dans la pièce. Cela risque d'entraîner des dommages matériels ou blessures corporelles.

## ACCESSOIRES

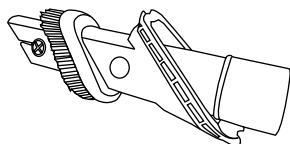
Tous les accessoires fournis peuvent être insérés soit dans le manche, soit dans le tube.



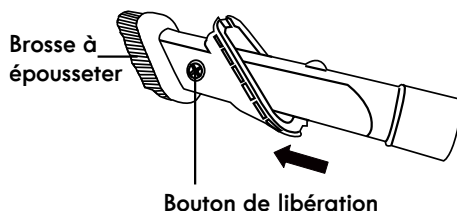
### OUTIL À USAGES MULTIPLES 3 EN 1

L'outil à usages multiples 3 en 1 peut être fixé à l'extrémité du manche et du tube. Faites glisser le collier de l'outil sur l'extrémité ouverte du manche ou du tube.

Utilisez l'outil à usages multiples 3 en 1 en mode Suceur plat pour effectuer le nettoyage dans les espaces restreints tels que les meubles, entre les coussins et dans les escaliers. Voir le TABLEAU D'UTILISATION DES ACCESSOIRES (page 14).

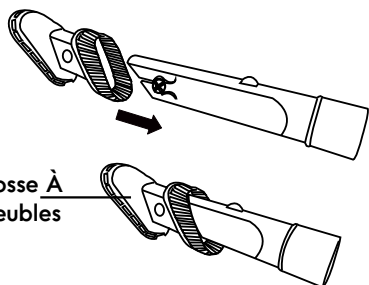


Mettez l'outil à usages multiples en mode Brosse à épousseter en appuyant sur la touche de dégagement et en faisant coulisser le côté Brosse à épousseter de la brosse jusqu'à l'extrémité de l'outil à usages multiples. Utilisez le mode Brosse à épousseter pour nettoyer les surfaces instables, notamment les rideaux. Voir le TABLEAU D'UTILISATION DES ACCESSOIRES (page 14).



Appuyez sur la touche de dégagement pour retirer l'outil brosse. Réglez l'outil à usages multiples en mode Brosse à meubles ainsi qu'illustré. Utilisez le mode Brosse à meubles pour nettoyer les surfaces en tissu, notamment les canapés en tissu. Voir le TABLEAU D'UTILISATION DES ACCESSOIRES (page 14).

## ACCESSOIRES



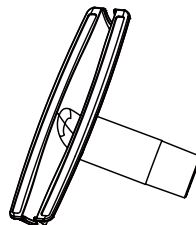
Brosse À Meubles

Pour remettre l'outil à usages multiples en mode Suceur plat, appuyez sur la touche de dégagement, puis faites glisser l'outil brosse vers le bas de l'outil à usages multiples.

### BROSSE À MEUBLES

La brosse à meubles peut être fixée sur l'extrémité du manche ou du tube. Faites glisser le collier de l'outil sur l'extrémité ouverte du manche ou du tube.





Servez-vous de la brosse à meubles pour nettoyer les surfaces en tissu, notamment sofa en tissu et draps. Voir le TABLEAU D'UTILISATION DES ACCESSOIRES (page 14).



### ATTENTION

Utilisez les accessoires lorsque l'aspirateur est positionné à la verticale.

## TABLEAU D'UTILISATION DES ACCESSOIRES

ZONE DE NETTOYAGE ✓ = Applicable						
ACCESSOIRE	Meubles*	Entre les coussins*	Rideaux*	Escaliers		Plinthes
				Moquette	Nu	
SUCEUR 	✓	✓		✓	✓	✓
BROSSE À ÉPOUSSE 	✓		✓	✓	✓	✓
BROSSE À MEUBLES 	✓		✓			
BROSSE À MEUBLES 	✓			✓		

\*Toujours nettoyer les accessoires avant de les utiliser sur des tissus.



# CARACTÉRISTIQUES DE PERFORMANCE/SÉCURITÉ

## DISPOSITIF DE PROTECTION THERMIQUE

Cet aspirateur est doté d'un protecteur thermique qui se déclenche automatiquement pour protéger le moteur d'aspiration de l'aspirateur. En cas de congestion empêchant l'écoulement normal d'air vers le moteur, le dispositif de protection thermique éteint automatiquement le moteur. Cela permet au moteur de refroidir afin d'éviter d'endommager éventuellement l'aspirateur.

Pour réinitialiser le protecteur thermique: Mettez hors tension l'aspirateur, puis débranchez le cordon d'alimentation de la prise de courant pour permettre à l'aspirateur de refroidir et aux protecteurs thermiques de se réinitialiser.



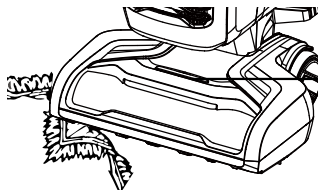
### ATTENTION

Remettez toujours l'aspirateur à la verticale avant d'utiliser le tuyau et les accessoires. Le non-respect de cette consigne peut entraîner une surchauffe du moteur de la brosse à rouleau et provoquer le déclenchement des protecteurs thermiques.

Vérifiez la présence de congestions, puis éliminez celles-ci. Ensuite, videz le bac de poussières, au besoin. Vérifiez également l'état des filtres et remplacez tout filtre obstrué. Patientez environ 50 minutes avant de redémarrer l'aspirateur.

## RÉINITIALISATION DE LA BROSSE À ROULEAU

La brosse à rouleau est dotée d'un dispositif de protection intégré contre tout endommagement du moteur en cas de blocage de la brosse à rouleau. En cas de ralentissement ou d'arrêt de la brosse à rouleau, la protection contre les surcharges de la brosse à rouleau coupe le moteur de la brosse à rouleau et le voyant de la brosse à rouleau s'allume en rouge. Le moteur d'aspiration de l'aspirateur continue de tourner.



Voyant Lumineux De La Brosse À Rouleau

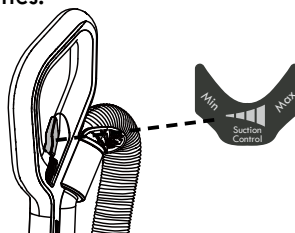
**Pour résoudre ce problème :** Mettez hors tension l'aspirateur, puis débranchez-le. Éliminez toutes les obstructions, puis remettez sous tension l'aspirateur. Le voyant lumineux de la brosse à rouleau s'éteint.

**REMARQUE:** Une fois que le moteur de la brosse à rouleau s'arrête, éliminez le bourrage de la brosse à rouleau, puis redémarrez l'aspirateur. Si le problème persiste, contactez le service d'assistance téléphonique pour les aspirateurs pour obtenir de l'aide.

## RÉGULATION D'ASPIRATION

Pour s'aider de la force de poussée/traction de l'aspirateur sur des surfaces comme les moquettes épaisses, la soupape de régulation d'aspiration peut être ouverte pour permettre de réduire l'aspiration. Remarque importante : pour obtenir des résultats de nettoyage optimaux, la soupape de régulation d'aspiration doit être entièrement fermée.

- Faites glisser sur « Min » pour ouvrir la régulation d'aspiration et réduire l'aspiration. L'ouverture de la régulation permet de réduire l'aspiration pour ce qui concerne draperies et tapis légers.
- Faites glisser sur « Max » pour fermer la régulation d'aspiration et augmenter l'aspiration. La fermeture de la régulation augmente l'aspiration pour ce qui concerne tapisserie pour meubles et moquettes.



## ENTRETIEN ET SOIN DE L'ASPIRATEUR

Respectez toujours toutes les mesures de sécurité lorsque vous effectuez l'entretien de l'aspirateur.



### AVERTISSEMENT

Risques D'Électrocution et De Blessures Corporelles

Coupez l'alimentation électrique avant de procéder à l'entretien, à la réparation ou au nettoyage de l'aspirateur. Le non-respect de cette consigne pourrait entraîner un risque d'électrocution ou des blessures corporelles causées par le démarrage subit de l'aspirateur.

## NETTOYAGE DE L'EXTÉRIEUR ET DES ACCESSOIRES

1. Mettez hors tension l'aspirateur, puis débranchez-le. NE PAS laisser de l'eau s'égoutter sur l'aspirateur.
2. Pour nettoyer l'extérieur ou pour réduire l'électricité statique et l'accumulation de poussière, essuyez la surface extérieure à l'aide d'un chiffon propre et doux qui a été plongé dans une solution de détergent liquide doux et d'eau, puis essoré. Bien essuyer après nettoyage.

**REMARQUE:** Lavez les accessoires à l'eau tiède savonneuse, rincez-les, puis laissez-les sécher à l'air libre. Ne pas nettoyer au lave-vaisselle.



### ATTENTION

Ne pas utiliser les accessoires s'ils sont mouillés. Les accessoires utilisés dans des endroits sales, comme sous un réfrigérateur, ne doivent pas être utilisés sur d'autres surfaces jusqu'à ce qu'ils soient lavés. Ceux-ci risquent de laisser des marques.

## RANGEMENT DE L'ASPIRATEUR



### AVERTISSEMENT

Risques D'Électrocution et De Blessures Corporelles

L'enroulement trop serré du cordon ajoute du stress à celui-ci et risque de l'endommager. Un cordon endommagé présente des risques d'électrocution et peut entraîner des blessures corporelles ou des dommages.

1. Placez les accessoires en position de rangement si nécessaire (voir page 8).
2. Rassemblez le cordon, puis enroulez-le sans le serrer autour des crochets d'enroulement supérieur et inférieur du cordon. Verrouillez le dispositif de retenue de la fiche sur le cordon d'alimentation.
3. Rangez l'aspirateur dans un endroit sec, à l'intérieur, sur le plancher, avec le manche verrouillé à la verticale.

## VIDANGE DU BAC À POUSSIÈRE

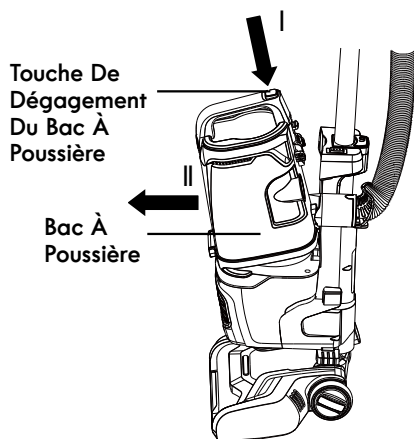


### AVERTISSEMENT

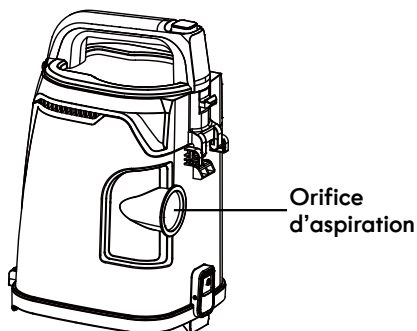
Débranchez toujours le cordon d'alimentation de la prise électrique avant d'effectuer tous travaux d'entretien ou de réparation sur l'aspirateur.

**REMARQUE:** Pour obtenir des performances optimales, videz le bac à poussière après chaque utilisation. Ne jamais utiliser l'aspirateur sans que le bac à poussière et les filtres soient en place.

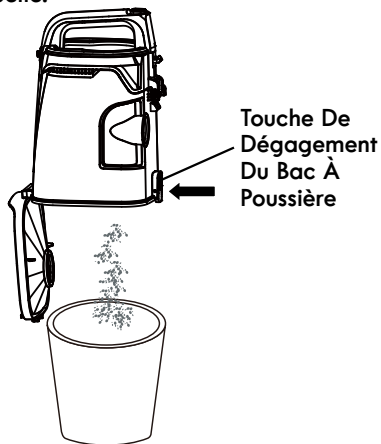
1. Appuyez sur la touche de dégagement du bac à poussière pour le retirer du corps principal.



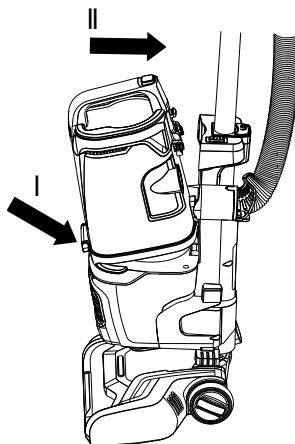
2. Éliminez toute obstruction qui pourrait se trouver dans l'orifice d'aspiration.



3. Placez la zone du bac à poussière de l'aspirateur au-dessus d'une poubelle. Appuyez sur la touche de dégagement du bac à poussière pour ouvrir le couvercle du bac à poussière, puis renversez le contenu du bac dans la poubelle.



4. Secouez le bac à poussière pour dégager tous les débris qui pourraient s'accrocher dans le pré-filtre.
5. Réinstallez et insérez le bac à poussière dans les fentes situées dans la partie inférieure du corps principal, puis enfoncez le bac à poussière dans la fente verrouillée et faites-le cliquer en place.



## NETTOYAGE DU PRÉ-FILTRE

Le pré-filtre se trouve à l'intérieur du bac à poussière. Nettoyez le pré-filtre au besoin afin d'optimiser la puissance d'aspiration.

1. Retirez le bac à poussière ainsi qu'illustré dans la section VIDANGE DU BAC À POUSSIÈRE (page 17).

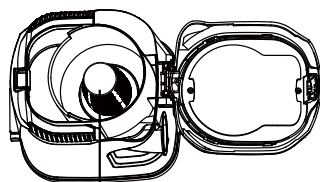
**REMARQUE:** Assurez-vous que le bac à poussière est exempt de débris avant de l'ouvrir.

2. Appuyez sur la touche de déverrouillage du couvercle du bac à poussière, puis ouvrez le couvercle.

Touche D'Ouverture Du  
Couvercle Du Bac À Poussière



3. Nettoyez le pré-filtre en le tapotant délicatement au-dessus d'une poubelle. Tapotez sur plusieurs côtés afin de garantir un nettoyage optimal.



Pré-filtre

4. Réinstallez le bac à poussière dans le corps principal. Voir les instructions d'installation données dans la section VIDANGE DU BAC À POUSSIÈRE (page 17).

## NETTOYAGE DES FILTRES EN MOUSSE ET EN FEUTRE

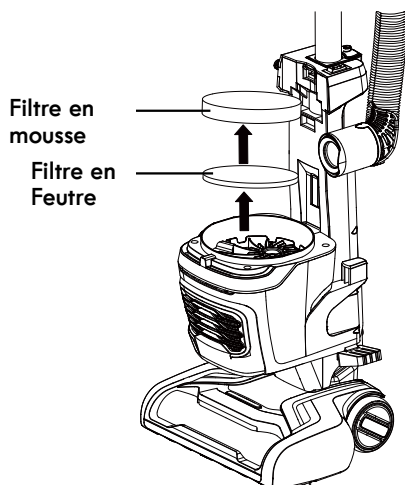
Nous vous recommandons de nettoyer les filtres en mousse et en feutre à l'eau froide tous les trois mois.

**REMARQUE:** Lorsque le nettoyage des filtres ne rétablit plus la pleine puissance d'aspiration de l'aspirateur, ou lorsque les filtres sont usés ou brisés, remplacez ceux-ci. Pour tous vos achats de filtres, composez le numéro : 1-877-531-7321 (États-Unis) / 1-844-608-3081 (Canada).

Nettoyez et remplacez régulièrement les filtres afin de maintenir la puissance d'aspiration de l'aspirateur à un niveau optimal.

1. Retirez le bac à poussière ainsi qu'illustré dans la section VIDANGE DU BAC À POUSSIÈRE (page 17).

2. Retirez les filtres en mousse et en feutre.



## NETTOYAGE DES FILTRES EN MOUSSE ET EN FEUTRE

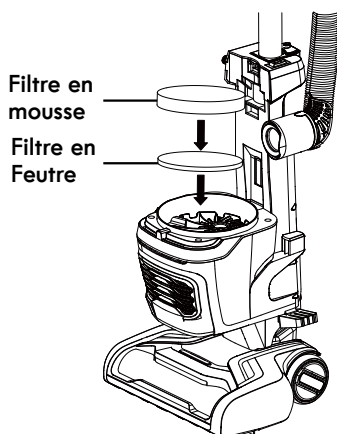
3. Lavez-le à l'eau froide uniquement. NE PAS utiliser de détergents ou du savon. Pressez-le à la main, puis laissez-le sécher à l'air libre. Laissez les filtres sécher 24 heures avant de les remettre dans l'aspirateur.

**REMARQUE:** NE PAS utiliser l'aspirateur sans filtres en mousse et en feutre installés.

NE PAS laver le filtre au lave-vaisselle.

NE PAS installer de filtres en mousse et en feutre s'ils sont humides.

4. Remplacez les filtres en mousse et en feutre dans l'aspirateur.



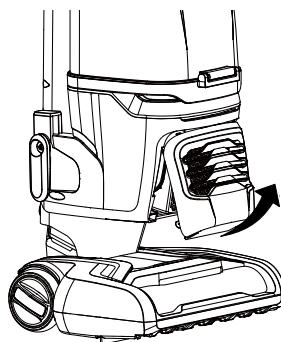
5. Réinstallez le bac à poussière. Voir la section VIDANGE DU BAC À POUSSIÈRE (page 17).

## NETTOYAGE DU FILTRE D'ÉVACUATION À CARTOUCHE HEPA

Nous vous recommandons de nettoyer à l'eau froide chaque année le filtre d'évacuation à cartouche HEPA.

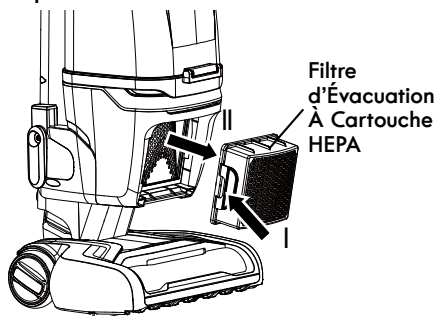
**REMARQUE:** Lorsque le nettoyage du filtre ne rétablit plus la pleine puissance d'aspiration de l'aspirateur, ou lorsque le filtre est usé ou brisé, remplacez le filtre d'évacuation. Pour acheter le filtre d'évacuation, composez le numéro : 1-877-531-7321 (États-Unis) / 1-844-608-3081 (Canada).

1. Retirez le couvercle du logement du filtre d'évacuation en tirant vers l'extérieur la languette située dans la partie inférieure du couvercle.



## NETTOYAGE DU FILTRE D'ÉVACUATION À CARTOUCHE HEPA

2. Appuyez sur la languette de dégagement, puis retirez le filtre d'évacuation à cartouche HEPA de l'aspirateur.



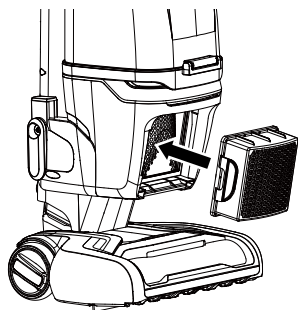
3. Lavez à l'eau froide uniquement. NE PAS utiliser de détergent ou de savon. Laissez-le sécher à l'air libre. Laissez les pièces sécher 24 heures avant de les remettre dans l'aspirateur.

**REMARQUE:** NE PAS utiliser sans le filtre d'évacuation installé.

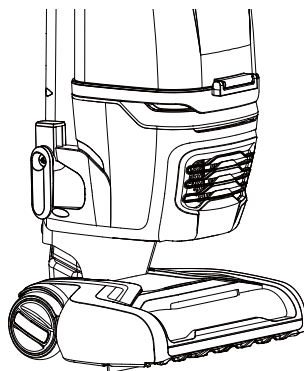
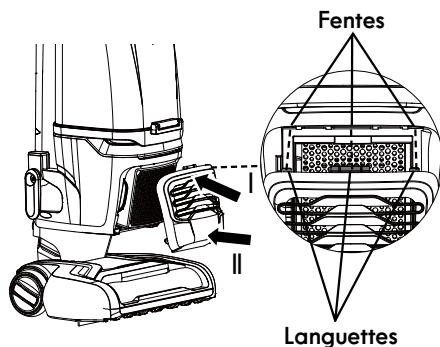
NE PAS laver le filtre au lave-vaisselle.

NE PAS installer le filtre s'il est humide.

4. Réinstallez le filtre d'évacuation à cartouche HEPA dans l'aspirateur jusqu'à ce que vous entendiez un déclic.



5. Insérez les languettes du couvercle du logement du filtre d'évacuation dans les fentes supérieures, puis verrouillez en place le couvercle en appuyant sur la partie inférieure du couvercle jusqu'à ce qu'un déclic se fasse entendre.



**REMARQUE:** Veillez à ce le couvercle du logement du filtre d'évacuation soit correctement installé.

## NETTOYAGE DE LA BROSSE À ROULEAU

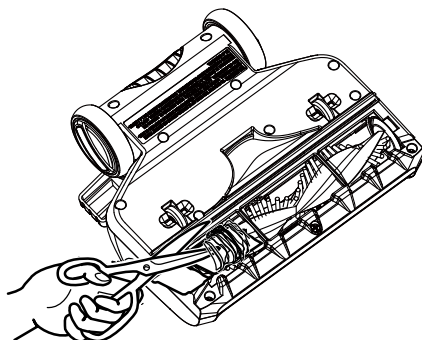


### AVERTISSEMENT

Débranchez toujours le cordon d'alimentation de la prise électrique avant d'effectuer tous travaux d'entretien sur l'aspirateur.

Pour que le nettoyage soit efficace, la brosse à rouleau doit être exempte d'accumulation de fibres de moquettes, de ficelles ou de poils ou cheveux. En cas de blocage de la brosse à rouleau, débranchez et retournez l'aspirateur, puis assurez-vous que la brosse à rouleau n'est pas encombré de fibres et de poils ou de cheveux. Utilisez des ciseaux pour éliminer toute accumulation de fibres, de poils ou cheveux empêtrés autour de la brosse.

Nous vous recommandons de nettoyer régulièrement la brosse afin d'obtenir des résultats optimaux.



## ÉLIMINATION DES OBSTRUCTIONS



### AVERTISSEMENT

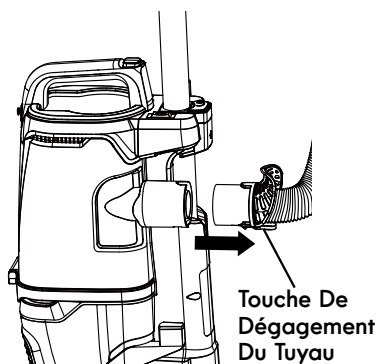
Coupez l'alimentation électrique avant d'éliminer les obstructions. Le non-respect de cette disposition vous expose à des risques d'électrocution ou à des blessures corporelles.

### VÉRIFICATION DU TUYAU FLEXIBLE ET DU TUBE AFIN DE DÉTECTER DES OBSTRUCTIONS ÉVENTUELLES

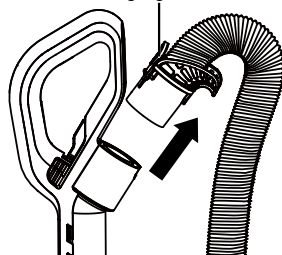
S'il y a un bruit anormal perceptible lors de l'utilisation de l'aspirateur ou si la puissance d'aspiration chute soudainement, il est nécessaire de vérifier la présence d'obstructions dans le conduit d'air.

Vérifiez fréquemment l'état du conduit d'air afin de vous assurer de l'absence de toutes obstructions.

1. Retirez les extrémités du tuyau flexible du corps principal et du manche en appuyant sur les touches de dégagement du tuyau.

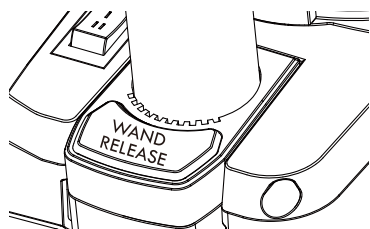


Touche De Dégagement Du Tuyau



## ÉLIMINATION DES OBSTRUCTIONS

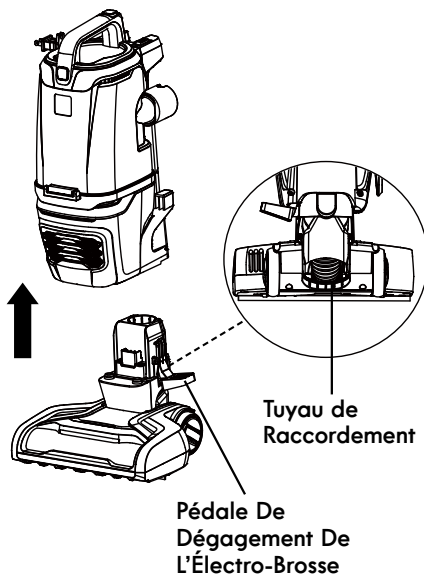
2. Dégagez le tube du corps, puis veillez à retirer tous les accessoires du tube.



3. Vérifiez la présence d'obstructions dans le tuyau flexible et le tube, puis éliminez-les.
4. Réinstallez le tube et le tuyau flexible sur l'aspirateur. Voir la section INSTRUCTIONS DE MONTAGE (page 7).

### VÉRIFICATION DE LA PRÉSENCE D'OBSTRUCTIONS DANS LE TUYAU DE RACCORDEMENT

1. Pour séparer le corps de la buse, appuyez avec le pied sur la pédale de dégagement de l'électro-brosse, puis soulevez le corps.
2. Vérifiez la présence d'obstructions éventuelles dans le tuyau de raccordement, puis éliminez-en celles-ci, le cas échéant.
3. Refixez la buse en place sur le corps de l'aspirateur.





## DÉPANNAGE

Consultez ce tableau pour trouver des solutions pratiques en cas de problèmes de performance mineurs. Tous travaux d'entretien ou de réparation nécessaires, autre que l'entretien décrit dans le présent Guide D'Utilisation Et D'Entretien, doit être effectué par un agent du service de réparation qui en possède les qualifications.



### AVERTISSEMENT

**Coupez l'alimentation électrique avant d'effectuer l'entretien de l'aspirateur. Le non-respect de cette disposition vous expose à des risques d'électrocution ou à des blessures corporelles.**

PROBLÈME	CAUSE POSSIBLE	SOLUTION
L'aspirateur ne fonctionne pas.	Il est débranché de la prise de courant.	Branchez-le fermement, puis appuyez sur le commutateur On/Off (Marche/Arrêt) pour le positionner sur « I » ou sur « II ».
	Le commutateur On/Off (Marche/Arrêt) n'est pas appuyé pour démarrer l'aspirateur.	Appuyez sur le commutateur On/Off (Marche/Arrêt) pour le positionner sur « I » ou sur « II ».
	Prise de courant défectueuse.	Vérifiez l'état de la prise à l'aide d'un bon appareil ou d'une bonne lampe. Assurez-vous que le cordon d'alimentation est branché à fond à une bonne prise de courant.
	Le corps de l'aspirateur est surchauffé.	Débranchez le cordon d'alimentation, puis laissez refroidir l'aspirateur pendant 50 minutes.
	Le moteur est endommagé.	Veuillez composer le numéro : 1-877-531-7321 (États-Unis) / 1-844-608-3081 (Canada) pour obtenir de l'aide.
Mauvaise récupération des saletés.	Le tuyau ou les accessoires ne sont pas installés correctement.	Vérifiez l'état du tuyau et des accessoires afin de vous assurer qu'ils sont correctement installés et fermement enclenchés.
	Le bac à poussière n'est pas installé correctement.	Vérifiez l'état du bac à poussière afin de vous assurer qu'il est correctement installé et fermement enclenché.
	Bac à poussière plein ou obstrué.	Videz le bac à poussière (page 17).
	Le tuyau flexible ou le tuyau de raccordement de l'aspirateur est bouché.	Vérifiez la présence d'obstructions éventuelles dans le conduit d'air, puis éliminez-en toutes celles-ci, le cas échéant. Suivez les instructions données en page 21-22.
	La régulation d'aspiration est ouverte.	Réglez la régulation d'aspiration pour augmenter l'aspiration. Suivez les instructions données en page 15.

## DÉPANNAGE

	Le filtre en mousse, le filtre en feutre ou le filtre d'évacuation à particules HEPA doit être nettoyé ou remplacé.	Nettoyez ou remplacez le filtre en mousse, le filtre en feutre ou le filtre d'évacuation à particules HEPA. Suivez les instructions de nettoyage du filtre en mousse et du filtre en feutre ou du filtre d'évacuation à particules HEPA données en page 18 ou 20.
	Le tuyau flexible est usé.	Remplacez le tuyau. Pour tous vos achats de pièces, composez le numéro : 1-877-531-7321 (États-Unis) / 1-844-608-3081 (Canada).
	Le tuyau de raccordement est usé.	Veillez composer le numéro : 1-877-531-7321 (États-Unis) / 1-844-608-3081 (Canada) pour obtenir de l'aide.
	La brosse à rouleau est usée.	Llame al 1-877-531-7321 (Estados Unidos) / 1-844-608-3081 (Canadá) para obtener ayuda.
De la poussière s'échappe de l'aspirateur.	Le bac de poussière est mal installé.	Positionnez correctement le bac à poussière, puis enclenchez-le fermement en place.
	Le filtre d'évacuation à cartouche HEPA est mal installé.	Vérifiez l'état du filtre d'évacuation afin de vous assurer qu'il est correctement installé. Suivez les instructions données en page 19-20.
	Le filtre en mousse, le filtre en feutre ou le filtre d'évacuation à particules HEPA est usé ou cassé.	Vérifiez et remplacez le filtre en mousse, le filtre en feutre ou le filtre d'évacuation à particules HEPA. Pour tous vos achats de pièces, composez le numéro : 1-877-531-7321 (États-Unis) / 1-844-608-3081 (Canada).
La brosse à rouleau ne tourne pas.	Le manche est positionné entièrement à la verticale.	Déplacez le manche de la position entièrement verticale.
	Sélectionnez le mauvais mode.	Appuyez sur commutateur pour le positionner sur « II » afin de démarrer la brosse à rouleau.
	La brosse à rouleau est bloquée.	Éliminez l'obstruction. Suivez les instructions données en page 21.
	La brosse à rouleau n'est pas installée correctement.	Veillez composer le numéro : 1-877-531-7321 (États-Unis) / 1-844-608-3081 (Canada) pour obtenir de l'aide.
	La courroie n'est pas acheminée correctement.	Veillez composer le numéro : 1-877-531-7321 (États-Unis) / 1-844-608-3081 (Canada) pour obtenir de l'aide.
	La courroie est usée ou brisée.	Veillez composer le numéro : 1-877-531-7321 (États-Unis) / 1-844-608-3081 (Canada) pour obtenir de l'aide.
	Défaillance dans la section du circuit imprimé de l'électro-brosse.	Veillez composer le numéro : 1-877-531-7321 (États-Unis) / 1-844-608-3081 (Canada) pour obtenir de l'aide.
	Le dispositif de protection contre la surchauffe de l'électro-brosse est activé.	Patiencez jusqu'au refroidissement de l'électro-brosse, puis redémarrez.

## DÉPANNAGE

Réduction du débit d'air avec les accessoires utilisés; le son change.	Le couvercle du logement du filtre d'évacuation n'est pas installé correctement.	Positionnez correctement le couvercle du logement du filtre d'évacuation, puis enclenchez-le fermement en place. Suivez les instructions données en page 19-20.
	Le conduit d'air est bouché.	Vérifiez la présence d'obstructions éventuelles dans le conduit d'air, puis éliminez-en celles-ci et nettoyez le conduit d'air. Suivez les instructions données en page 21-22.
	Les accessoires utilisés peuvent réduire le débit d'air.	Vérifiez l'état des accessoires afin de détecter la présence de duvets, de peluches, de poils d'animaux familiers ou de tous autres débris.
L'aspirateur se met hors tension tout seul.	La fiche du cordon d'alimentation s'est détachée de la prise de courant lors de l'utilisation de l'aspirateur.	Réinsérez la fiche du cordon d'alimentation à fond dans la prise de courant. Évitez de tirer ou de traîner le cordon d'alimentation lorsque vous utilisez l'aspirateur.
	Le protecteur thermique est activé.	Mettez hors tension l'aspirateur, puis débranchez-le. Vérifiez l'état du conduit d'air et du bac à poussière. Laissez refroidir l'aspirateur pendant au moins 50 minutes. Branchez l'aspirateur, puis mettez-le sous tension.
	Le moteur est endommagé.	Veillez composer le numéro : 1-877-531-7321 (États-Unis) / 1-844-608-3081 (Canada) pour obtenir de l'aide.
Le voyant lumineux de la brosse à rouleau vire au rouge.	Présence de bourrage dans la zone de la brosse à rouleau.	Mettez hors tension l'aspirateur, puis débranchez-le. Éliminez toutes obstructions éventuelles présentes dans la brosse à rouleau. Voir la page 21.
	La brosse à rouleau est usée ou brisée.	Veillez composer le numéro : 1-877-531-7321 (États-Unis) / 1-844-608-3081 (Canada) pour obtenir de l'aide.

# Kenmore<sup>®/MD</sup>

**Vacuum Cleaner Help Line**

**Assistance téléphonique  
pour les aspirateurs**

**US: 1-877-531-7321**

**CA: 1-844-608-3081**

**8:00 am – 5:00 pm ET M-F**

**De 8 h à 17 h HE lun à ven**

